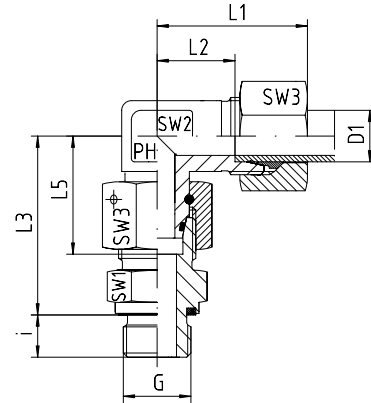


24° female and Viton O-ring  
with a profile to W DIN 3861

Metric parallel male thread with  
Viton elastomeric soft seal



Series	Pressure PN	Tube O.D. D1	Thread G	Approx. Dimensions								Part code
				L1	L2	L3	L5	i	SW1	SW2	SW3	
L	500	6	M 10 x 1	27	12.0	34.5	26.0	8	14	12	14	EW-DKOL-06-M 10x1-wd
L	500	8	M 12 x 1.5	29	14.0	37.5	27.5	12	17	12	17	EW-DKOL-08-M 12x1.5-wd
L	500	10	M 14 x 1.5	30	15.0	40.0	29.0	12	19	14	19	EW-DKOL-10-M 14x1.5-wd
L	400	12	M 16 x 1.5	32	17.0	42.0	29.5	12	22	17	22	EW-DKOL-12-M 16x1.5-wd
L	400	15	M 18 x 1.5	36	21.0	46.0	32.5	12	24	19	27	EW-DKOL-15-M 18x1.5-wd
L	400	18	M 22 x 1.5	40	23.5	50.0	35.5	14	27	24	32	EW-DKOL-18-M 22x1.5-wd
L	250	22	M 26 x 1.5	44	27.5	55.0	38.5	16	32	27	36	EW-DKOL-22-M 26x1.5-wd
L	250	28	M 33 x 2	47	30.5	59.0	41.5	18	41	36	41	EW-DKOL-28-M 33x2-wd
L	250	35	M 42 x 2	56	34.5	68.5	51.0	20	50	41	50	EW-DKOL-35-M 42x2-wd
L	250	42	M 48 x 2	63	40.0	75.0	56.0	22	55	50	60	EW-DKOL-42-M 48x2-wd

Series	Pressure PN	Tube O.D. D1	Thread G	Approx. Dimensions								Part code
				L1	L2	L3	L5	i	SW1	SW2	SW3	
S	800	6	M 12 x 1.5	31	16.0	40.0	27.0	12	17	12	17	EW-DKOS-06-M 12x1.5-wd
S	800	8	M 14 x 1.5	32	17.0	42.5	27.5	12	19	14	19	EW-DKOS-08-M 14x1.5-wd
S	800	10	M 16 x 1.5	34	17.5	45.0	30.0	12	22	17	22	EW-DKOS-10-M 16x1.5-wd
S	630	12	M 18 x 1.5	38	21.5	48.0	31.0	12	24	17	24	EW-DKOS-12-M 18x1.5-wd
S	630	14	M 20 x 1.5	40	22.0	54.0	35.0	14	27	19	27	EW-DKOS-14-M 20x1.5-wd
S	630	16	M 22 x 1.5	43	24.5	55.0	36.5	14	27	24	30	EW-DKOS-16-M 22x1.5-wd
S	420	20	M 27 x 2	48	26.5	65.0	44.5	16	32	27	36	EW-DKOS-20-M 27x2-wd
S	420	25	M 33 x 2	54	30.0	73.0	50.0	18	41	36	46	EW-DKOS-25-M 33x2-wd
S	420	30	M 42 x 2	62	35.5	78.5	55.0	20	50	41	50	EW-DKOS-30-M 42x2-wd
S	420	38	M 48 x 2	72	41.0	89.0	63.0	22	55	50	60	EW-DKOS-38-M 48x2-wd