



24° compression fittings to ISO 8434-1 / DIN 2353

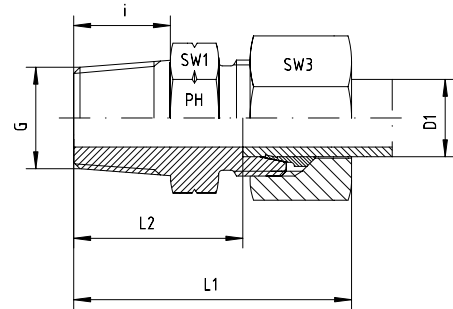
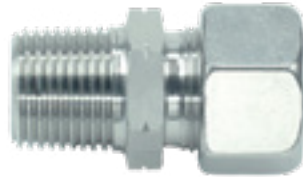
Male stud coupling to NPT

BOOK INDEX

SECTION INDEX

to ISO 8434-1 / DIN 2353

S series



Series	Pressure PN	Tube O.D. D1	Thread G	Approx. Dimensions					Part code
				L1	L2	i	SW1	SW3	
S	630	6	1/8" NPT	36.0	21.0	10.0	14	17	GE-S-06-1/8"-NPT
S	630	6	1/4" NPT	43.0	28.0	15.0	17	17	GE-S-06-1/4"-NPT
S	630	6	3/8" NPT	41.0	26.0	15.3	19	17	GE-S-06-3/8"-NPT
S	630	6	1/2" NPT	50.0	35.0	20.0	22	17	GE-S-06-1/2"-NPT
S	630	8	1/8" NPT		23.0	10.0	17	19	GE-S-08-1/8"-NPT
S	630	8	1/4" NPT	43.0	28.0	15.0	17	19	GE-S-08-1/4"-NPT
S	630	8	3/8" NPT	43.0	28.0	15.3	19	19	GE-S-08-3/8"-NPT
S	630	8	1/2" NPT	50.0	35.0	20.0	22	19	GE-S-08-1/2"-NPT
S	630	10	1/8" NPT	40.0	22.5	10.0	19	22	GE-S-10-1/8"-NPT
S	630	10	1/4" NPT	44.0	27.5	15.0	19	22	GE-S-10-1/4"-NPT
S	630	10	3/8" NPT	44.0	27.5	15.3	19	22	GE-S-10-3/8"-NPT
S	630	10	1/2" NPT	51.0	34.5	20.0	22	22	GE-S-10-1/2"-NPT
S	400	10	3/4" NPT	50.5	31.5	20.0	27	22	GE-S-10-3/4"-NPT
S	630	12	1/4" NPT	46.0	29.5	15.0	22	24	GE-S-12-1/4"-NPT
S	630	12	3/8" NPT	46.0	29.5	15.3	22	24	GE-S-12-3/8"-NPT
S	630	12	1/2" NPT	51.0	34.5	20.0	22	24	GE-S-12-1/2"-NPT
S	400	12	3/4" NPT	53.0	36.5	20.0	27	24	GE-S-12-3/4"-NPT
S	630	14	3/8" NPT	49.0	23.0	15.3	24	27	GE-S-14-3/8"-NPT
S	630	14	1/2" NPT	54.0	36.0	20.0	24	27	GE-S-14-1/2"-NPT
S	400	14	3/4" NPT	56.0	38.0	20.0	27	27	GE-S-14-3/4"-NPT
S	400	16	3/8" NPT	49.0	30.5	15.3	27	30	GE-S-16-3/8"-NPT
S	400	16	1/2" NPT	54.0	35.5	20.0	27	30	GE-S-16-1/2"-NPT
S	400	16	3/4" NPT	56.0	37.5	20.0	30	30	GE-S-16-3/4"-NPT
S	400	16	1" NPT	63.0	44.5	25.0	36	30	GE-S-16-1"-NPT
S	400	20	3/8" NPT		32.5	15.3	32	36	GE-S-20-3/8"-NPT
S	400	20	1/2" NPT	59.0	37.5	20.0	32	36	GE-S-20-1/2"-NPT
S	400	20	3/4" NPT	59.0	37.5	20.0	32	36	GE-S-20-3/4"-NPT
S	400	20	1" NPT	66.0	44.5	25.0	36	36	GE-S-20-1"-NPT
S	400	20	1 1/4" NPT	67.5	44.5	25.5	46	36	GE-S-20-1 1/4"-NPT
S	400	25	1/2" NPT	67.5	40.0	20.0	41	46	GE-S-25-1/2"-NPT
S	400	25	3/4" NPT	64.0	40.0	20.0	41	46	GE-S-25-3/4"-NPT
S	400	25	1" NPT	69.0	45.0	25.0	41	46	GE-S-25-1"-NPT
S	400	25	1 1/4" NPT	70.0	46.0	25.5	46	46	GE-S-25-1 1/4"-NPT
S	400	30	3/4" NPT	67.0	40.5	20.0	46	50	GE-S-30-3/4"-NPT
S	400	30	1" NPT	72.0	45.5	25.0	46	50	GE-S-30-1"-NPT
S	400	30	1 1/4" NPT	73.0	46.5	25.5	46	50	GE-S-30-1 1/4"-NPT
S	315	30	1 1/2" NPT	73.0	46.5	26.0	55	50	GE-S-30-1 1/2"-NPT
S	315	38	1" NPT	79.0	48.0	25.0	55	60	GE-S-38-1"-NPT
S	315	38	1 1/4" NPT	80.0	49.0	25.5	55	60	GE-S-38-1 1/4"-NPT
S	315	38	1 1/2" NPT	80.0	49.0	26.0	55	60	GE-S-38-1 1/2"-NPT