



Pegasus
hydraulics

Hose adapters



5



| | Product Groups | Page |
|--|---|--|
| | Straight adapters BSPP to metric male-male | 5.02 |
| | Straight Welding Adapters Metric parallel male to weld stub | 5.03 |
| | Straight adapters – male male BSPP to BSP taper male male BSPP male male BSPP male male (with soft seal) BSPP male male – flat face BSPP male male reducer BSPP male male reducer (with soft seal) BSP taper to NPT male male NPT male male NPT male male reducer BSP taper male male BSP taper male male reducer | 5.04 5.05 5.06 5.07 5.08 5.09 5.10 5.11 5.12 5.13 5.14 |
| | Plugs BSP taper hexagonal-head plug NPT hexagonal-head plug | 5.15 5.16 |
| | Straight adapters - male female BSPP swivel female to BSP taper male BSPP swivel female to NPT male BSPP swivel female to BSPP male | 5.17 5.18 5.19 |
| | BSPP swivel female adapters BSPP swivel female female BSPP swivel female female 90° elbow BSPP swivel female equal tee BSPP swivel female cross | 5.20 5.21 5.22 5.23 |
| | Male adapters BSPP male male 90° elbow NPT male male 90° elbow BSPP male tee BSPP male cross | 5.24 5.25 5.26 5.27 |
| | Block / Short-radius adapters BSPP male – swivel female 90° elbow BSPP male – swivel female 45° elbow | 5.28 5.29 |
| | Tee adapters BSPP swivel female run tee BSPP swivel female branch tee | 5.30 5.31 |
| | Fixed female adapters BSPP fixed female 90° elbow BSPP fixed female tee NPT fixed female elbow NPT fixed female tee | 5.32 5.33 5.34 5.35 |

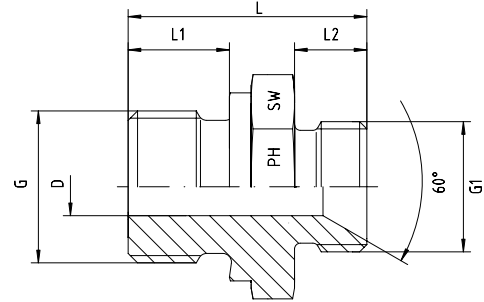
| | Product Groups | Page |
|--|---|--|
| | NPT male – female 90° elbow NPT fixed female to male 90° elbow | 5.36 |
| | Bulkhead adapters BSPP bulkhead – with locknut | 5.37 |
| | BSPP male to BSP taper male 90° elbow BSPP to BSP taper male male 90° elbow | 5.38 |
| | Hexagonal sockets BSPP hexagonal socket BSPP hexagonal reducing socket NPT hexagonal socket NPT hexagonal reducing socket | 5.39 5.40 5.41 5.42 |
| | BSPP swivel caps BSPP swivel female cap | 5.43 |
| | BSPP plugs BSPP hexagonal head plug | 5.44 |
| | BSPP hexagonal male female bushes BSPP male – fixed female reducing bush (form A) BSPP male – fixed female reducing bush (form B) | 5.45 5.46 |
| | BSPP & NPT adapters / bushes BSPP male to NPT fixed female (form A) BSPP male to NPT fixed female (form B) NPT male to BSPP fixed female (form A) NPT male to BSPP fixed female (form B) NPT male to NPT fixed female reducing bush (form A) NPT male to NPT fixed female reducing bush (form B) | 5.47 5.48 5.49 5.50 5.51 5.52 |
| | Hexagonal caps BSPP fixed female cap NPT fixed female cap | 5.53 5.54 |
| | BSPP male – male adjustable 90° elbow BSPP male to positionable male 90° elbow | 5.55 |
| | Locknut for bulkhead adapters BSPP locknut | 5.56 |
| | BSPP to DIN 2353 – ISO 8434-1 bulkheads BSPP to metric parallel (DIN 2353, ISO 8434-1) bulkhead | 5.57 |

BSP to metric male - male

BOOK INDEX

SECTION INDEX

BSP parallel male with a form B sealing shoulder to 60° coned metric parallel male.



5

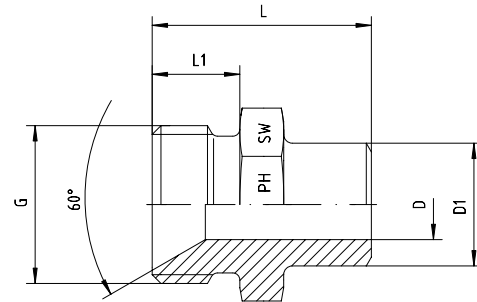
| Pressure PN | Thread | | Approx. Dimensions | | | | | Part code | |
|----------------|---------|------------|--------------------|----|----|----|-----|---------------|--|
| | G = BSP | G1 | L | L1 | L2 | D | SW | | |
| 250 | 1/2" | M 18 x 1.5 | 34 | 14 | 11 | 10 | 27 | 0226820-08-06 | |
| 250 | 1/2" | M 22 x 1.5 | 35 | 14 | 12 | 11 | 27 | 0226820-08 | |
| 250 | 1/2" | M 26 x 1.5 | 38 | 14 | 12 | 14 | 27 | 0226820-08-10 | |
| 160 | 1/2" | M 30 x 1.5 | 36 | 14 | 12 | 12 | 32 | 0226820-08-12 | |
| 160 | 3/4" | M 26 x 1.5 | 38 | 16 | 12 | 15 | 32 | 0226820-12-10 | |
| 160 | 3/4" | M 30 x 1.5 | 39 | 16 | 14 | 20 | 32 | 0226820-12 | |
| 160 | 1" | M 30 x 1.5 | 41 | 18 | 14 | 20 | 41 | 0226821-16-12 | |
| 160 | 1" | M 38 x 1.5 | 41 | 18 | 14 | 24 | 41 | 0226825-16 | |
| 100 | 1 1/4" | M 38 x 1.5 | 44 | 20 | 14 | 25 | 50 | 0226826-20-16 | |
| 100 | 1 1/4" | M 45 x 1.5 | 46 | 20 | 16 | 32 | 50 | 0226832-20 | |
| 100 | 1 1/2" | M 45 x 1.5 | 49 | 22 | 16 | 32 | 55 | 0226833-24-20 | |
| 100 | 1 1/2" | M 52 x 1.5 | 49 | 22 | 16 | 39 | 55 | 0226840-24 | |
| 50 | 2" | M 65 x 2 | 54 | 24 | 17 | 45 | 70 | 0226850-32 | |
| 50 | 2 1/2" | M 78 x 2 | 57 | 26 | 17 | 56 | 85 | 0226860-40 | |
| 50 | 3" | M 100 x 2 | 68 | 28 | 22 | 76 | 105 | 0226880-48 | |

Metric parallel male to weld stub

BOOK INDEX

SECTION INDEX

Metric parallel 60° coned male to metric OD weld stub



5

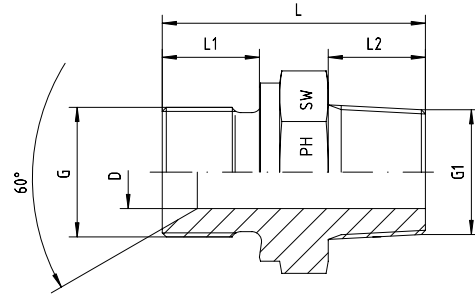
| Pressure PN | Thread G | Approx. Dimensions | | | | | Part code |
|----------------|-------------|--------------------|----|------|----|-----|------------|
| | | L | L1 | D | D1 | SW | |
| 250 | M 12 x 1.5 | 24 | 10 | 3.5 | 6 | 12 | 0806504-02 |
| 250 | M 14 x 1.5 | 25 | 10 | 4.5 | 8 | 14 | 0806507-04 |
| 250 | M 16 x 1.5 | 25 | 10 | 6.0 | 10 | 17 | 0806509-05 |
| 250 | M 18 x 1.5 | 25 | 10 | 8.0 | 14 | 19 | 0806511-06 |
| 250 | M 22 x 1.5 | 27 | 12 | 10.5 | 17 | 22 | 0806514-08 |
| 250 | M 26 x 1.5 | 28 | 12 | 13.0 | 21 | 27 | 0806517-10 |
| 160 | M 30 x 1.5 | 28 | 12 | 15.5 | 25 | 30 | 0806521-12 |
| 160 | M 38 x 1.5 | 30 | 14 | 21.0 | 30 | 41 | 0806526-16 |
| 100 | M 45 x 1.5 | 31 | 14 | 28.0 | 38 | 46 | 0806533-20 |
| 100 | M 52 x 1.5 | 32 | 14 | 35.0 | 44 | 55 | 0806541-24 |
| 50 | M 65 x 2 | 36 | 17 | 45.0 | 57 | 65 | 0806551-32 |
| 50 | M 78 x 2 | 36 | 17 | 55.0 | 64 | 80 | 0806561-40 |
| 50 | M 90 x 2 | 47 | 22 | 67.0 | 76 | 90 | 0806571-48 |
| 50 | M 100 x 2 | 47 | 22 | 77.0 | 89 | 100 | 0806581-56 |

BSP to BSP taper male male

BOOK INDEX

SECTION INDEX

BSP parallel 60° coned male to BSP taper male
ISO 8434-6 / BS 5200



5

| Pressure PN | Thread | | Approx. Dimensions | | | | | Part code | |
|----------------|-----------|-----------|--------------------|----|----|------|----|-----------|---------------|
| | G = BSP | G1 = BSPT | L | L1 | L2 | D | SW | | |
| 400 | 1/8"-28 | 1/8"-28 | 23.0 | 8 | 8 | 4.0 | 14 | | 1050710-02-02 |
| 400 | 1/4"-19 | 1/4"-19 | 30.0 | 10 | 12 | 6.0 | 19 | | 1050710-04-04 |
| 400 | 3/8"-19 | 3/8"-19 | 32.5 | 12 | 12 | 9.0 | 22 | | 1050710-06-06 |
| 400 | 1/2"-14 | 1/2"-14 | 37.0 | 14 | 14 | 12.5 | 27 | | 1050710-08-08 |
| 400 | 3/4"-14 | 3/4"-14 | 47.0 | 16 | 19 | 17.5 | 32 | | 1050710-12-12 |
| 400 | 1"-11 | 1"-11 | 49.0 | 18 | 18 | 22.0 | 41 | | 1050710-16-16 |
| 200 | 1 1/4"-11 | 1 1/4"-11 | 54.5 | 20 | 20 | 29.0 | 50 | | 1050710-20-20 |
| 200 | 1 1/2"-11 | 1 1/2"-11 | 58.5 | 22 | 22 | 37.0 | 55 | | 1050710-24-24 |
| 100 | 2"-11 | 2"-11 | 66.0 | 25 | 26 | 45.0 | 70 | | 1050710-32-32 |

| Pressure PN | Thread | | Approx. Dimensions | | | | | Part code | |
|----------------|---------|-----------|--------------------|----|----|------|----|-----------|---------------|
| | G = BSP | G1 = BSPT | L | L1 | L2 | D | SW | | |
| 400 | 1/4"-19 | 1/8"-28 | 26.0 | 10 | 8 | 4.0 | 19 | | 1050710-04-02 |
| 400 | 1/4"-19 | 3/8"-19 | 32.0 | 10 | 12 | 7.0 | 19 | | 1050710-04-06 |
| 400 | 1/4"-19 | 1/2"-14 | 34.0 | 10 | 14 | 6.0 | 22 | | 1050710-04-08 |
| 400 | 3/8"-19 | 1/4"-19 | 33.0 | 12 | 12 | 7.0 | 22 | | 1050710-06-04 |
| 400 | 3/8"-19 | 1/2"-14 | 42.0 | 12 | 19 | 9.0 | 22 | | 1050710-06-08 |
| 400 | 1/2"-14 | 3/8"-19 | 37.0 | 14 | 12 | 9.0 | 27 | | 1050710-08-06 |
| 400 | 1/2"-14 | 3/4"-14 | 45.0 | 14 | 19 | 12.5 | 27 | | 1050710-08-12 |
| 400 | 3/4"-14 | 1/2"-14 | 40.0 | 16 | 14 | 12.5 | 32 | | 1050710-12-08 |
| 400 | 3/4"-14 | 1"-11 | 45.0 | 16 | 18 | 17.5 | 36 | | 1050710-12-16 |

BSPP male male

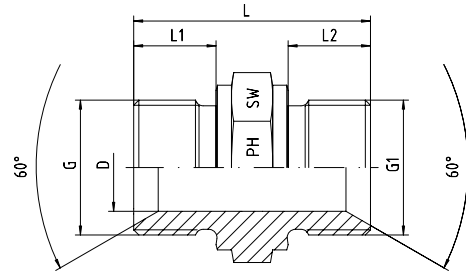
BOOK INDEX

SECTION INDEX

BSP parallel 60° coned male male

Form B sealing shoulder

ISO 8434-6 / BS 5200



5

| Pressure PN | Thread | | Approx. Dimensions | | | | | Part code | |
|----------------|-----------|-----------|--------------------|----|----|------|----|-----------|---------------|
| | G = BSP | G1 = BSP | L | L1 | L2 | D | SW | | |
| 400 | 1/8"-28 | 1/8"-28 | 23.0 | 8 | 8 | 4.5 | 14 | | 1050510-02-02 |
| 400 | 1/4"-19 | 1/4"-19 | 29.0 | 10 | 10 | 6.0 | 19 | | 1050510-04-04 |
| 400 | 3/8"-19 | 3/8"-19 | 35.0 | 12 | 12 | 9.0 | 22 | | 1050510-06-06 |
| 400 | 1/2"-14 | 1/2"-14 | 41.0 | 14 | 14 | 13.0 | 27 | | 1050510-08-08 |
| 400 | 5/8"-14 | 5/8"-14 | 43.5 | 16 | 16 | 14.5 | 30 | | 1050510-10-10 |
| 400 | 3/4"-14 | 3/4"-14 | 46.0 | 16 | 16 | 18.0 | 32 | | 1050510-12-12 |
| 400 | 1"-11 | 1"-11 | 52.0 | 18 | 18 | 23.5 | 41 | | 1050510-16-16 |
| 200 | 1 1/4"-11 | 1 1/4"-11 | 58.0 | 20 | 20 | 30.0 | 50 | | 1050510-20-20 |
| 200 | 1 1/2"-11 | 1 1/2"-11 | 61.0 | 22 | 22 | 37.0 | 55 | | 1050510-24-24 |
| 100 | 2"-11 | 2"-11 | 67.0 | 25 | 25 | 45.0 | 70 | | 1050510-32-32 |
| 70 | 2 1/2"-11 | 2 1/2"-11 | 70.0 | 26 | 26 | 51.0 | 90 | | 1050510-40-40 |

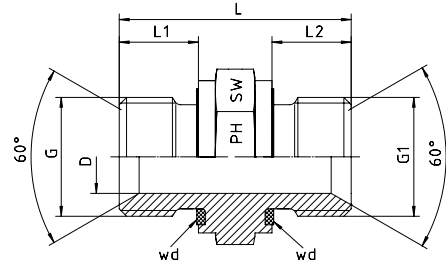
BSP male male (with soft seal)

BOOK INDEX

SECTION INDEX

BSP parallel 60° coned male male with integrated elastomeric Viton seals.

ISO 8434-6 / BS 5200



5

| Pressure PN | Thread | | Approx. Dimensions | | | | | Part code | |
|----------------|-----------|-----------|--------------------|----|----|------|----|-----------|---------------|
| | G = BSP | G1 = BSP | L | L1 | L2 | D | SW | | |
| 400 | 1/8"-28 | 1/8"-28 | 23.0 | 8 | 8 | 4.5 | 14 | | 1050508-02-02 |
| 400 | 1/4"-19 | 1/4"-19 | 29.0 | 10 | 10 | 6.0 | 19 | | 1050508-04-04 |
| 400 | 3/8"-19 | 3/8"-19 | 35.0 | 12 | 12 | 9.0 | 22 | | 1050508-06-06 |
| 400 | 1/2"-14 | 1/2"-14 | 41.0 | 14 | 14 | 13.0 | 27 | | 1050508-08-08 |
| 400 | 3/4"-14 | 3/4"-14 | 46.0 | 16 | 16 | 18.0 | 32 | | 1050508-12-12 |
| 400 | 1"-11 | 1"-11 | 52.0 | 18 | 18 | 23.5 | 41 | | 1050508-16-16 |
| 200 | 1 1/4"-11 | 1 1/4"-11 | 58.0 | 20 | 20 | 30.0 | 50 | | 1050508-20-20 |
| 200 | 1 1/2"-11 | 1 1/2"-11 | 61.0 | 22 | 22 | 37.0 | 55 | | 1050508-24-24 |
| 100 | 2"-11 | 2"-11 | 67.0 | 25 | 25 | 45.0 | 70 | | 1050508-32-32 |

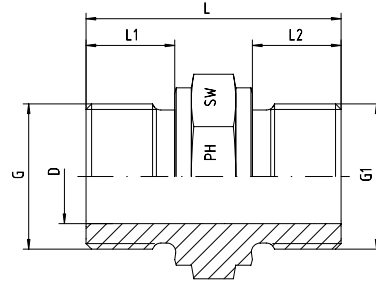
BSP male male - flat face

BOOK INDEX

SECTION INDEX

BSP parallel flat-face male male.

Form B sealing shoulder.



5

| Pressure PN | Thread | | Approx. Dimensions | | | | | Part code |
|----------------|-----------|-----------|--------------------|----|----|------|----|---------------|
| | G = BSP | G1 = BSP | L | L1 | L2 | D | SW | |
| 400 | 1/8"-28 | 1/8"-28 | 23.0 | 8 | 8 | 4.5 | 14 | 1050521-02-02 |
| 400 | 1/4"-19 | 1/4"-19 | 29.0 | 10 | 10 | 6.0 | 19 | 1050521-04-04 |
| 400 | 3/8"-19 | 3/8"-19 | 35.0 | 12 | 12 | 9.0 | 22 | 1050521-06-06 |
| 400 | 1/2"-14 | 1/2"-14 | 41.0 | 14 | 14 | 13.0 | 27 | 1050521-08-08 |
| 400 | 5/8"-14 | 5/8"-14 | 43.5 | 16 | 16 | 14.5 | 30 | 1050521-10-10 |
| 400 | 3/4"-14 | 3/4"-14 | 46.0 | 16 | 16 | 18.0 | 32 | 1050521-12-12 |
| 400 | 1"-11 | 1"-11 | 52.0 | 18 | 18 | 23.5 | 41 | 1050521-16-16 |
| 200 | 1 1/4"-11 | 1 1/4"-11 | 58.0 | 20 | 20 | 30.0 | 50 | 1050521-20-20 |
| 200 | 1 1/2"-11 | 1 1/2"-11 | 61.0 | 22 | 22 | 37.0 | 55 | 1050521-24-24 |
| 100 | 2"-11 | 2"-11 | 67.0 | 25 | 25 | 45.0 | 70 | 1050521-32-32 |
| 70 | 2 1/2"-11 | 2 1/2"-11 | 70.0 | 26 | 26 | 51.0 | 90 | 1050521-40-40 |

BSPP male male reducer

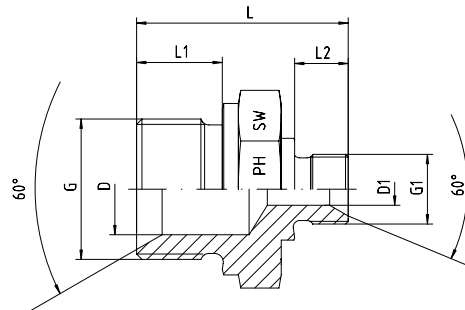
BOOK INDEX

SECTION INDEX

BSP parallel 60° coned male male reducing adapter.

Form B sealing shoulder

ISO 8434-6 / BS 5200



5

| Pressure PN | Thread | | Approx. Dimensions | | | | | | Part code |
|----------------|-----------|-----------|--------------------|------|----|------|------|----|---------------|
| | G = BSP | G1 = BSP | L | L1 | L2 | D | D1 | SW | |
| 400 | 1/4"-19 | 1/8"-28 | 28.0 | 12.0 | 8 | 6.0 | 4.5 | 19 | 1050510-04-02 |
| 400 | 3/8"-19 | 1/8"-28 | 30.5 | 12.0 | 8 | 9.0 | 4.5 | 22 | 1050510-06-02 |
| 400 | 3/8"-19 | 1/4"-19 | 33.0 | 12.0 | 10 | 9.0 | 6.0 | 22 | 1050510-06-04 |
| 400 | 1/2"-14 | 1/8"-28 | 34.0 | 14.0 | 8 | 13 | 4.5 | 27 | 1050510-08-02 |
| 400 | 1/2"-14 | 1/4"-19 | 38.0 | 14.0 | 11 | 12.5 | 7.0 | 27 | 1050510-08-04 |
| 400 | 1/2"-14 | 3/8"-19 | 40.0 | 14.0 | 12 | 13.0 | 9.0 | 27 | 1050510-08-06 |
| 400 | 5/8"-14 | 3/8"-19 | 40.0 | 14.0 | 12 | 14.0 | 8.0 | 30 | 1050510-10-06 |
| 400 | 5/8"-14 | 1/2"-14 | 42.0 | 16.0 | 14 | 14.5 | 11.5 | 30 | 1050510-10-08 |
| 400 | 3/4"-14 | 1/4"-19 | 39.5 | 16.0 | 10 | 18.0 | 6.0 | 32 | 1050510-12-04 |
| 400 | 3/4"-14 | 3/8"-19 | 41.0 | 16.0 | 12 | 18.0 | 9.0 | 32 | 1050510-12-06 |
| 400 | 3/4"-14 | 1/2"-14 | 45.0 | 16.0 | 14 | 18.0 | 13.0 | 32 | 1050510-12-08 |
| 400 | 3/4"-14 | 5/8"-14 | 45.0 | 16.0 | 16 | 17.0 | 14.5 | 32 | 1050510-12-10 |
| 400 | 1"-11 | 3/8"-19 | 47.0 | 18.0 | 12 | 23.0 | 9.0 | 41 | 1050510-16-06 |
| 400 | 1"-11 | 1/2"-14 | 48.0 | 18.0 | 14 | 23.5 | 13.0 | 41 | 1050510-16-08 |
| 400 | 1"-11 | 3/4"-14 | 53.0 | 18.0 | 16 | 23.5 | 17.0 | 41 | 1050510-16-12 |
| 200 | 1 1/4"-11 | 1/2"-14 | 51.0 | 20.0 | 14 | 30.0 | 13.0 | 50 | 1050510-20-08 |
| 200 | 1 1/4"-11 | 3/4"-14 | 53.5 | 20.0 | 16 | 30.5 | 18.0 | 50 | 1050510-20-12 |
| 200 | 1 1/4"-11 | 1"-11 | 58.0 | 20.0 | 18 | 30.5 | 23.0 | 50 | 1050510-20-16 |
| 200 | 1 1/2"-11 | 3/4"-14 | 55.0 | 22.0 | 16 | 37.0 | 17.0 | 55 | 1050510-24-12 |
| 200 | 1 1/2"-11 | 1"-11 | 57.0 | 22.0 | 18 | 37.0 | 23.5 | 55 | 1050510-24-16 |
| 200 | 1 1/2"-11 | 1 1/4"-11 | 61.0 | 22.0 | 20 | 37.0 | 30.0 | 55 | 1050510-24-20 |
| 100 | 2"-11 | 1"-11 | 62.0 | 25.0 | 18 | 43.0 | 23.5 | 70 | 1050510-32-16 |
| 100 | 2"-11 | 1 1/4"-11 | 62.0 | 25.0 | 20 | 45.0 | 30.0 | 70 | 1050510-32-20 |
| 100 | 2"-11 | 1 1/2"-11 | 64.0 | 25.0 | 22 | 45.0 | 37.0 | 70 | 1050510-32-24 |

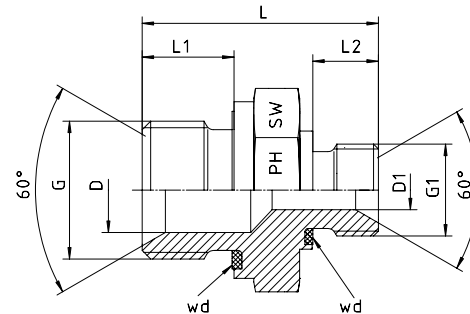
BSP male male reducer (with soft seal)

BOOK INDEX

SECTION INDEX

BSP parallel 60° coned male male reducer with integrated elastomeric Viton seals.

ISO 8434-6 / BS 5200



5

| Pressure PN | Thread | | Approx. Dimensions | | | | | | Part code |
|----------------|-----------|-----------|--------------------|------|----|------|------|----|---------------|
| | G = BSP | G1 = BSP | L | L1 | L2 | D | D1 | SW | |
| 400 | 1/4"-19 | 1/8"-28 | 28.0 | 12.0 | 8 | 6.0 | 4.5 | 19 | 1050508-04-02 |
| 400 | 3/8"-19 | 1/8"-28 | 30.5 | 12.0 | 8 | 9.0 | 4.5 | 22 | 1050508-06-02 |
| 400 | 3/8"-19 | 1/4"-19 | 33.0 | 12.0 | 10 | 9.0 | 6.0 | 22 | 1050508-06-04 |
| 400 | 1/2"-14 | 1/4"-19 | 38.0 | 14.0 | 11 | 12.5 | 7.0 | 27 | 1050508-08-04 |
| 400 | 1/2"-14 | 3/8"-19 | 40.0 | 14.0 | 12 | 13.0 | 9.0 | 27 | 1050508-08-06 |
| 400 | 3/4"-14 | 1/4"-19 | 39.5 | 16.0 | 10 | 18.0 | 6.0 | 32 | 1050508-12-04 |
| 400 | 3/4"-14 | 3/8"-19 | 41.0 | 16.0 | 12 | 18.0 | 9.0 | 32 | 1050508-12-06 |
| 400 | 3/4"-14 | 1/2"-14 | 45.0 | 16.0 | 14 | 18.0 | 13.0 | 32 | 1050508-12-08 |
| 400 | 1"-11 | 3/8"-19 | 47.0 | 18.0 | 12 | 23.0 | 9.0 | 41 | 1050508-16-06 |
| 400 | 1"-11 | 1/2"-14 | 48.0 | 18.0 | 14 | 23.5 | 13.0 | 41 | 1050508-16-08 |
| 400 | 1"-11 | 3/4"-14 | 53.0 | 18.0 | 16 | 23.5 | 17.0 | 41 | 1050508-16-12 |
| 200 | 1 1/4"-11 | 1/2"-14 | 51.0 | 20.0 | 14 | 30.0 | 13.0 | 50 | 1050508-20-08 |
| 200 | 1 1/4"-11 | 3/4"-14 | 53.5 | 20.0 | 16 | 30.5 | 18.0 | 50 | 1050508-20-12 |
| 200 | 1 1/4"-11 | 1"-11 | 58.0 | 20.0 | 18 | 30.5 | 23.0 | 50 | 1050508-20-16 |
| 200 | 1 1/2"-11 | 3/4"-14 | 55.0 | 22.0 | 16 | 37.0 | 17.0 | 55 | 1050508-24-12 |
| 200 | 1 1/2"-11 | 1"-11 | 57.0 | 22.0 | 18 | 37.0 | 23.5 | 55 | 1050508-24-16 |
| 200 | 1 1/2"-11 | 1 1/4"-11 | 61.0 | 22.0 | 20 | 37.0 | 30.0 | 55 | 1050508-24-20 |
| 100 | 2"-11 | 1"-11 | 62.0 | 25.0 | 18 | 43.0 | 23.5 | 70 | 1050508-32-16 |
| 100 | 2"-11 | 1 1/4"-11 | 62.0 | 25.0 | 20 | 45.0 | 30.0 | 70 | 1050508-32-20 |
| 100 | 2"-11 | 1 1/2"-11 | 64.0 | 25.0 | 22 | 45.0 | 37.0 | 70 | 1050508-32-24 |

BSP taper to NPT male male

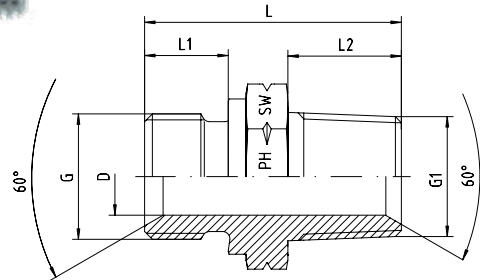
BOOK INDEX

SECTION INDEX

BSP parallel 60° coned male to NPT male.

BSP parallel male with form B sealing shoulder.

ISO 8434-6 / BS 5200



5

| Pressure PN | Thread | | Approx. Dimensions | | | | | SW | Part code BSP x NPT |
|----------------|-----------|-------------|--------------------|----|------|------|----|---------------|------------------------|
| | G = BSP | G1 = NPT | L | L1 | L2 | D | | | |
| 400 | 1/8"-28 | 1/8"-27 | 24.5 | 8 | 10.0 | 4.0 | 14 | 1052810-02-02 | |
| 400 | 1/4"-19 | 1/4"-18 | 32.5 | 10 | 15.0 | 6.0 | 19 | 1052810-04-04 | |
| 400 | 3/8"-19 | 3/8"-18 | 38.0 | 12 | 15.3 | 9.0 | 22 | 1052810-06-06 | |
| 400 | 1/2"-14 | 1/2"-14 | 43.0 | 14 | 20.0 | 12.5 | 27 | 1052810-08-08 | |
| 400 | 3/4"-14 | 3/4"-14 | 47.0 | 16 | 20.0 | 17.5 | 32 | 1052810-12-12 | |
| 400 | 1"-11 | 1"-11.5 | 54.5 | 18 | 25.0 | 22.5 | 41 | 1052810-16-16 | |
| 200 | 1 1/4"-11 | 1 1/4"-11.5 | 66.0 | 20 | 25.5 | 30.0 | 50 | 1052810-20-20 | |
| 200 | 1 1/2"-11 | 1 1/2"-11.5 | 64.0 | 22 | 26.0 | 37.0 | 55 | 1052810-24-24 | |
| 100 | 2"-11 | 2"-11.5 | 66.0 | 25 | 26.0 | 45.0 | 70 | 1052810-32-32 | |

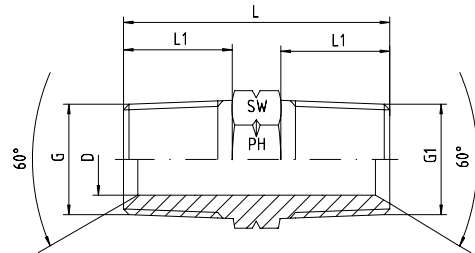
| Pressure PN | Thread | | Approx. Dimensions | | | | | SW | Part code BSP x NPT |
|----------------|---------|----------|--------------------|----|------|------|----|---------------|------------------------|
| | G = BSP | G1 = NPT | L | L1 | L2 | D | | | |
| 400 | 1/8"-28 | 1/4"-18 | 30.0 | 8 | 15.0 | 4.0 | 14 | 1052810-02-04 | |
| 400 | 1/4"-19 | 1/8"-27 | 27.5 | 10 | 10.0 | 4.0 | 19 | 1052810-04-02 | |
| 400 | 1/4"-19 | 3/8"-18 | 33.0 | 10 | 15.3 | 6.0 | 19 | 1052810-04-06 | |
| 400 | 1/4"-19 | 1/2"-14 | 40.0 | 10 | 20.0 | 6.0 | 22 | 1052810-04-08 | |
| 400 | 3/8"-19 | 1/4"-18 | 35.5 | 12 | 15.0 | 7.0 | 22 | 1052810-06-04 | |
| 400 | 3/8"-19 | 1/2"-14 | 42.0 | 12 | 20.0 | 9.0 | 22 | 1052810-06-08 | |
| 400 | 3/8"-19 | 3/4"-14 | 42.0 | 12 | 20.0 | 9.0 | 27 | 1052810-06-12 | |
| 400 | 1/2"-14 | 1/4"-18 | 40.0 | 14 | 15.0 | 7.0 | 27 | 1052810-08-04 | |
| 400 | 1/2"-14 | 3/8"-18 | 40.0 | 14 | 15.3 | 9.0 | 27 | 1052810-08-06 | |
| 400 | 1/2"-14 | 3/4"-14 | 45.0 | 14 | 20.0 | 12.0 | 27 | 1052810-08-12 | |
| 400 | 3/4"-14 | 1/2"-14 | 45.0 | 16 | 20.0 | 12.5 | 32 | 1052810-12-08 | |
| 400 | 3/4"-14 | 1"-11.5 | 52.0 | 16 | 25.0 | 17.5 | 36 | 1052810-12-16 | |
| 400 | 1"-11 | 3/8"-18 | 45.0 | 18 | 15.3 | 9.0 | 41 | 1052810-16-06 | |
| 400 | 1"-11 | 1/2"-14 | 50.0 | 18 | 20.0 | 12.5 | 41 | 1052810-16-08 | |
| 400 | 1"-11 | 3/4"-14 | 50.0 | 18 | 20.0 | 15.0 | 41 | 1052810-16-12 | |

NPT male male

BOOK INDEX

SECTION INDEX

NPT 60° coned male male



5

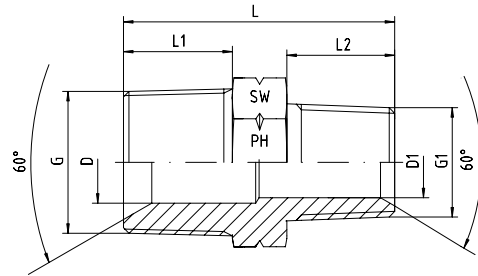
| Pressure PN | Thread | | Approx. Dimensions | | | | Part code |
|----------------|-------------|-------------|--------------------|------|------|----|---------------|
| | G = NPT | G1 = NPT | L | L1 | D | SW | |
| 630 | 1/8"-27 | 1/8"-27 | 27.0 | 10.0 | 5.0 | 12 | 1282810-02-02 |
| 630 | 1/4"-18 | 1/4"-18 | 36.5 | 15.0 | 7.0 | 14 | 1282810-04-04 |
| 630 | 3/8"-18 | 3/8"-18 | 36.5 | 15.3 | 9.0 | 19 | 1282810-06-06 |
| 630 | 1/2"-14 | 1/2"-14 | 48.4 | 20.0 | 13.5 | 22 | 1282810-08-08 |
| 630 | 3/4"-14 | 3/4"-14 | 50.0 | 20.0 | 18.0 | 27 | 1282810-12-12 |
| 400 | 1"-11.5 | 1"-11.5 | 59.0 | 25.0 | 21.0 | 36 | 1282810-16-16 |
| 400 | 1 1/4"-11.5 | 1 1/4"-11.5 | 63.0 | 25.5 | 31.5 | 46 | 1282810-20-20 |
| 400 | 1 1/2"-11.5 | 1 1/2"-11.5 | 65.0 | 26.0 | 36.0 | 50 | 1282810-24-24 |
| 315 | 2"-11.5 | 2"-11.5 | 68.0 | 26.0 | 46.0 | 65 | 1282810-32-32 |

NPT male male reducer

BOOK INDEX

SECTION INDEX

NPT 60° coned male male reducer



5

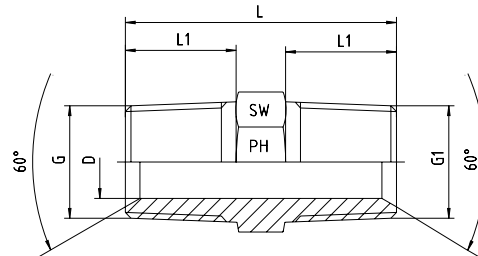
| Pressure PN | Thread | | Approx. Dimensions | | | | | | Part code | |
|----------------|----------|----------|--------------------|------|------|------|------|----|-----------|---------------|
| | G = NPT | G1 = NPT | L | L1 | L2 | D | D1 | SW | | |
| 630 | 1/4" -18 | 1/8" -27 | 32.0 | 15.0 | 10.0 | 7.0 | 5.0 | 14 | | 1282810-04-02 |
| 630 | 3/8" -18 | 1/4" -18 | 36.5 | 15.3 | 15.0 | 7.0 | 7.0 | 19 | | 1282810-06-04 |
| 630 | 1/2" -14 | 1/4" -18 | 43.0 | 20.0 | 15.0 | 7.0 | 7.0 | 22 | | 1282810-08-04 |
| 630 | 1/2" -14 | 3/8" -18 | 43.7 | 20.0 | 15.3 | 13.5 | 8.0 | 22 | | 1282810-08-06 |
| 630 | 3/4" -14 | 1/2" -14 | 50.0 | 20.0 | 20.0 | 18.0 | 13.5 | 27 | | 1282810-12-08 |
| 400 | 1" -11.5 | 1/2" -14 | 54.0 | 25.0 | 20.0 | 21.0 | 13.5 | 36 | | 1282810-16-08 |
| 400 | 1" -11.5 | 3/4" -14 | 54.2 | 25.0 | 20.0 | 21.0 | 18.0 | 36 | | 1282810-16-12 |

BSP taper male male

BOOK INDEX

SECTION INDEX

BSP taper 60° coned male male



5

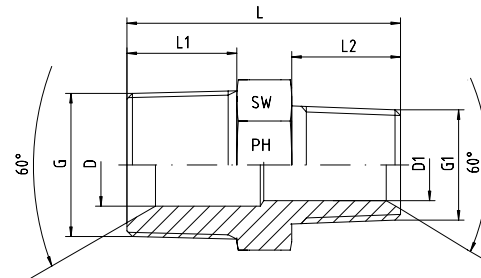
| Pressure PN | Thread | | Approx. Dimensions | | | | Part code |
|----------------|-----------|-----------|--------------------|----|------|----|---------------|
| | G = BSPT | G1 = BSPT | L | L1 | D | SW | |
| 400 | 1/8"-28 | 1/8"-28 | 22.0 | 8 | 4.0 | 12 | 1070710-02-02 |
| 400 | 1/4"-19 | 1/4"-19 | 30.0 | 12 | 5.0 | 14 | 1070710-04-04 |
| 400 | 3/8"-19 | 3/8"-19 | 31.0 | 12 | 8.0 | 19 | 1070710-06-06 |
| 400 | 1/2"-14 | 1/2"-14 | 38.0 | 14 | 13.5 | 22 | 1070710-08-08 |
| 400 | 3/4"-14 | 3/4"-14 | 43.0 | 16 | 18.0 | 27 | 1070710-12-12 |
| 400 | 1"-11 | 1"-11 | 47.0 | 18 | 22.5 | 36 | 1070710-16-16 |
| 200 | 1 1/4"-11 | 1 1/4"-11 | 52.0 | 20 | 29.0 | 46 | 1070710-20-20 |
| 200 | 1 1/2"-11 | 1 1/2"-11 | 58.0 | 22 | 33.5 | 50 | 1070710-24-24 |
| 100 | 2"-11 | 2"-11 | 68.0 | 26 | 46.0 | 65 | 1070710-32-32 |

BSP taper male male reducer

BOOK INDEX

SECTION INDEX

BSP taper 60° coned male male reducer



5

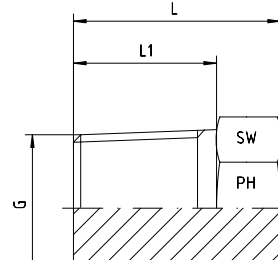
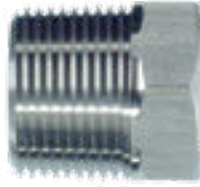
| Pressure PN | Thread | | Approx. Dimensions | | | | | | Part code | |
|----------------|------------|------------|--------------------|----|----|------|------|----|-----------|---------------|
| | G = BSPT | G1 = BSPT | L | L1 | L2 | D | D1 | SW | | |
| 400 | 1/4" -19 | 1/8" -28 | 26.0 | 12 | 8 | 5.0 | 5.0 | 14 | | 1070710-04-02 |
| 400 | 3/8" -19 | 1/4" -19 | 31.0 | 12 | 12 | 8.0 | 8.0 | 19 | | 1070710-06-04 |
| 400 | 1/2" -14 | 3/8" -19 | 34.0 | 14 | 12 | 11.5 | 8.0 | 22 | | 1070710-08-06 |
| 400 | 3/4" -14 | 1/2" -14 | 39.0 | 16 | 14 | 18.0 | 13.5 | 27 | | 1070710-12-08 |
| 400 | 1" -11 | 3/4" -14 | 45.0 | 18 | 19 | 22.5 | 17.0 | 36 | | 1070710-16-12 |
| 200 | 1 1/4" -11 | 1" -11 | 50.0 | 20 | 18 | 29.0 | 22.5 | 46 | | 1070710-20-16 |
| 200 | 1 1/2" -11 | 1 1/4" -11 | 56.0 | 22 | 20 | 33.5 | 29.0 | 50 | | 1070710-24-20 |

BSP taper hexagonal-head plug

BOOK INDEX

SECTION INDEX

BSP taper
hexagonal-head plug



5

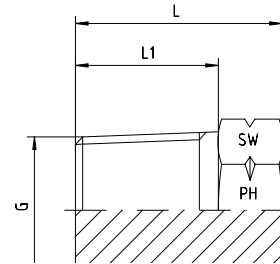
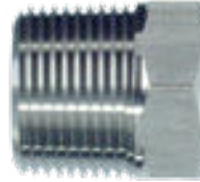
| Pressure PN | Thread G = BSPT | Approx. Dimensions | | | Part code |
|----------------|--------------------|--------------------|----|----|------------|
| | | L | L1 | SW | |
| 400 | 1/8"-28 | 14 | 8 | 12 | 5070010-02 |
| 400 | 1/4"-19 | 18 | 12 | 14 | 5070010-04 |
| 400 | 3/8"-19 | 19 | 12 | 17 | 5070010-06 |
| 400 | 1/2"-14 | 27 | 19 | 22 | 5070010-08 |
| 400 | 3/4"-14 | 29 | 19 | 27 | 5070010-12 |
| 400 | 1"-11 | 29 | 18 | 36 | 5070010-16 |
| 200 | 1 1/4"-11 | 32 | 20 | 46 | 5070010-20 |
| 200 | 1 1/2"-11 | 36 | 22 | 50 | 5070010-24 |
| 100 | 2"-11 | 40 | 26 | 65 | 5070010-32 |

NPT hexagonal-head plug

BOOK INDEX

SECTION INDEX

NPT hexagonal-head plug



5

| Pressure PN | Thread G = NPT | Approx. Dimensions | | | Part code |
|----------------|-------------------|--------------------|------|----|------------|
| | | L | L1 | SW | |
| 630 | 1/8"-27 | 15 | 10.0 | 12 | 5280010-02 |
| 630 | 1/4"-18 | 20 | 15.0 | 14 | 5280010-04 |
| 630 | 3/8"-18 | 22 | 15.3 | 17 | 5280010-06 |
| 630 | 1/2"-14 | 27 | 20.0 | 22 | 5280010-08 |
| 630 | 3/4"-14 | 29 | 20.0 | 27 | 5280010-12 |
| 400 | 1"-11.5 | 33 | 25.0 | 36 | 5280010-16 |
| 400 | 1 1/4"-11.5 | 33 | 25.5 | 46 | 5280010-20 |
| 400 | 1 1/2"-11.5 | 41 | 26.0 | 50 | 5280010-24 |
| 315 | 2"-11.5 | 44 | 26.0 | 65 | 5280010-32 |

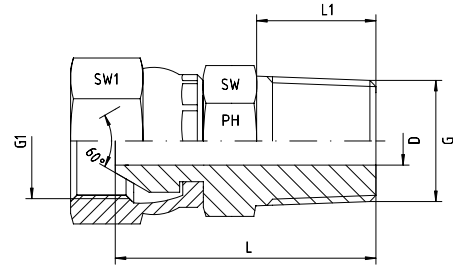
BSP swivel female to BSP taper male

BOOK INDEX

SECTION INDEX

BSP parallel 60° coned swivel female to BSP taper male

ISO 8434-6 / BS 5200



5

| Pressure PN | Thread | | Approx. Dimensions | | | | | Part code | |
|----------------|-----------|-----------|--------------------|----|------|----|-----|-----------|---------------|
| | G1 = BSP | G = BSPT | L | L1 | D | SW | SW1 | | |
| 400 | 1/8"-28 | 1/8"-28 | 23.0 | 8 | 4.0 | 12 | 14 | | 2070511-02-02 |
| 400 | 1/4"-19 | 1/4"-19 | 28.0 | 12 | 5.0 | 14 | 19 | | 2070511-04-04 |
| 400 | 3/8"-19 | 3/8"-19 | 30.6 | 12 | 8.0 | 19 | 22 | | 2070511-06-06 |
| 400 | 1/2"-14 | 1/2"-14 | 37.0 | 14 | 9.5 | 24 | 27 | | 2070511-08-08 |
| 400 | 3/4"-14 | 3/4"-14 | 39.0 | 16 | 16.5 | 27 | 32 | | 2070511-12-12 |
| 400 | 1"-11 | 1"-11 | 44.3 | 18 | 22.5 | 36 | 41 | | 2070511-16-16 |
| 200 | 1 1/4"-11 | 1 1/4"-11 | 51.9 | 20 | 29.0 | 46 | 50 | | 2070511-20-20 |
| 200 | 1 1/2"-11 | 1 1/2"-11 | 54.6 | 22 | 33.5 | 50 | 55 | | 2070511-24-24 |
| 100 | 2"-11 | 2"-11 | 69.0 | 26 | 42.0 | 65 | 70 | | 2070511-32-32 |

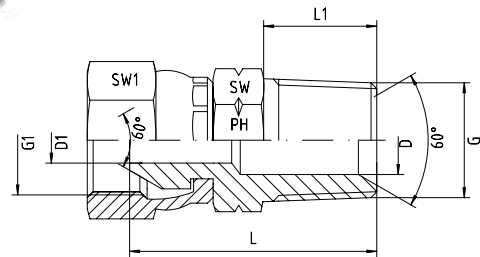
BSP swivel female to NPT male

BOOK INDEX

SECTION INDEX

BSP parallel 60° coned swivel female to NPT 60° coned male

ISO 8434-6 / BS 5200



5

| Pressure PN | Thread | | Approx. Dimensions | | | | | | | Part code BSP x NPT |
|----------------|-----------|-------------|--------------------|------|------|------|----|-----|---------------|------------------------|
| | G1 = BSP | G = NPT | L | L1 | D | D1 | SW | SW1 | | |
| 400 | 1/8"-28 | 1/8"-27 | 25.0 | 10.0 | 4.0 | 4.0 | 12 | 14 | 2280511-02-02 | |
| 400 | 1/4"-19 | 1/4"-18 | 32.0 | 15.0 | 7.0 | 5.0 | 14 | 19 | 2280511-04-04 | |
| 400 | 1/4"-19 | 3/8"-18 | 32.0 | 15.3 | 10.3 | 5.0 | 19 | 19 | 2280511-04-06 | |
| 400 | 3/8"-19 | 1/4"-18 | 33.6 | 15.0 | 7.0 | 7.0 | 17 | 22 | 2280511-06-04 | |
| 400 | 3/8"-19 | 3/8"-18 | 33.0 | 15.3 | 10.0 | 8.0 | 19 | 22 | 2280511-06-06 | |
| 400 | 3/8"-19 | 1/2"-14 | 40.8 | 20.0 | 13.5 | 8.0 | 22 | 22 | 2280511-06-08 | |
| 400 | 1/2"-14 | 3/8"-18 | 34.8 | 15.3 | 10.3 | 9.5 | 19 | 27 | 2280511-08-06 | |
| 400 | 1/2"-14 | 1/2"-14 | 42.0 | 20.0 | 13.5 | 9.5 | 22 | 27 | 2280511-08-08 | |
| 400 | 1/2"-14 | 3/4"-14 | 41.0 | 20.0 | 16.5 | 9.5 | 27 | 27 | 2280511-08-12 | |
| 400 | 3/4"-14 | 1/2"-14 | 43.0 | 20.0 | 13.5 | 16.5 | 27 | 32 | 2280511-12-08 | |
| 400 | 3/4"-14 | 3/4"-14 | 43.0 | 20.0 | 16.5 | 16.5 | 27 | 32 | 2280511-12-12 | |
| 400 | 3/4"-14 | 1"-11.5 | 48.5 | 25.0 | 24.0 | 16.5 | 36 | 32 | 2280511-12-16 | |
| 400 | 1"-11 | 1"-11 | 49.5 | 25.0 | 24.0 | 21.0 | 36 | 41 | 2280511-16-16 | |
| 200 | 1 1/4"-11 | 1 1/4"-11.5 | 53.0 | 25.5 | 28.0 | 28.0 | 46 | 50 | 2280511-20-20 | |
| 200 | 1 1/2"-11 | 1 1/2"-11.5 | 57.0 | 26.0 | 32.5 | 32.5 | 50 | 55 | 2280511-24-24 | |
| 100 | 2"-11 | 2"-11.5 | 69.0 | 26.0 | 42.0 | 42.0 | 65 | 70 | 2280511-32-32 | |

BSP swivel female to BSP male

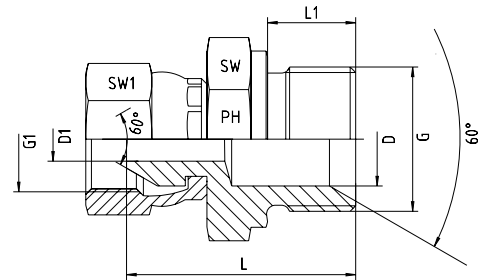
BOOK INDEX

SECTION INDEX

BSP parallel 60° coned swivel female to BSP parallel 60° coned male

BSP male with form B sealing shoulder.

ISO 8434-6 / BS 5200



5

| Pressure PN | Thread | | Approx. Dimensions | | | | | | | Part code | |
|----------------|-----------|-----------|--------------------|----|------|------|----|-----|--------|---------------|--|
| | G1 | G | L | L1 | D | D1 | SW | SW1 | G1 x G | | |
| 400 | 1/8"-28 | 1/8"-28 | 23.5 | 8 | 4.0 | 4.0 | 14 | 14 | | 2050511-02-02 | |
| 400 | 1/8"-28 | 1/4"-19 | 27.5 | 12 | 4.0 | 4.0 | 19 | 14 | | 2050511-02-04 | |
| 400 | 1/4"-19 | 1/8"-28 | 27.0 | 8 | 4.0 | 4.0 | 14 | 19 | | 2050511-04-02 | |
| 400 | 1/4"-19 | 1/4"-19 | 30.0 | 12 | 5.0 | 5.0 | 19 | 19 | | 2050511-04-04 | |
| 400 | 1/4"-19 | 3/8"-19 | 31.5 | 12 | 9.0 | 5.0 | 22 | 19 | | 2050511-04-06 | |
| 400 | 1/4"-19 | 1/2"-14 | 35.5 | 14 | 11.5 | 5.0 | 27 | 19 | | 2050511-04-08 | |
| 400 | 3/8"-19 | 1/8"-28 | 26.0 | 8 | 4.5 | 4.5 | 17 | 19 | | 2050511-06-02 | |
| 400 | 3/8"-19 | 1/4"-19 | 31.5 | 12 | 5.0 | 8.0 | 19 | 22 | | 2050511-06-04 | |
| 400 | 3/8"-19 | 3/8"-19 | 32.5 | 12 | 8.0 | 8.0 | 22 | 22 | | 2050511-06-06 | |
| 400 | 3/8"-19 | 1/2"-14 | 37.0 | 14 | 11.5 | 8.0 | 27 | 22 | | 2050511-06-08 | |
| 400 | 1/2"-14 | 1/4"-19 | 31.5 | 12 | 5.0 | 11.0 | 19 | 27 | | 2050511-08-04 | |
| 400 | 1/2"-14 | 3/8"-19 | 32.5 | 12 | 9.0 | 9.0 | 22 | 27 | | 2050511-08-06 | |
| 400 | 1/2"-14 | 1/2"-14 | 36.0 | 14 | 11.0 | 11.0 | 27 | 27 | | 2050511-08-08 | |
| 400 | 1/2"-14 | 3/4"-14 | 39.5 | 16 | 11.0 | 11.0 | 32 | 27 | | 2050511-08-12 | |
| 400 | 3/4"-14 | 1/2"-14 | 42.0 | 14 | 11.5 | 16.0 | 27 | 32 | | 2050511-12-08 | |
| 400 | 3/4"-14 | 3/4"-14 | 41.0 | 16 | 16.5 | 16.5 | 32 | 32 | | 2050511-12-12 | |
| 400 | 3/4"-14 | 1"-11 | 45.0 | 18 | 22.5 | 16.5 | 41 | 32 | | 2050511-12-16 | |
| 400 | 1"-11 | 3/4"-14 | 44.0 | 18 | 17.0 | 22.0 | 32 | 41 | | 2050511-16-12 | |
| 400 | 1"-11 | 1"-11 | 45.5 | 18 | 22.0 | 22.0 | 41 | 41 | | 2050511-16-16 | |
| 200 | 1"-11 | 1 1/4"-11 | 49.5 | 20 | 29.0 | 22.5 | 50 | 41 | | 2050511-16-20 | |
| 200 | 1 1/4"-11 | 1"-11 | 53.0 | 18 | 22.0 | 22.0 | 41 | 50 | | 2050511-20-16 | |
| 200 | 1 1/4"-11 | 1 1/4"-11 | 48.5 | 20 | 28.0 | 28.0 | 50 | 50 | | 2050511-20-20 | |
| 200 | 1 1/2"-11 | 1 1/2"-11 | 53.0 | 22 | 33.0 | 33.0 | 55 | 55 | | 2050511-24-24 | |
| 100 | 2"-11 | 2"-11 | 72.0 | 23 | 42.0 | 42.0 | 70 | 70 | | 2050511-32-32 | |

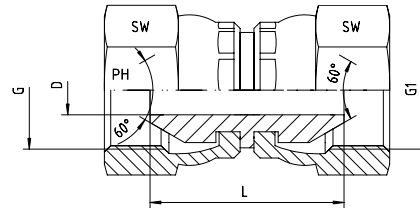
BSP swivel female female

BOOK INDEX

SECTION INDEX

BSP parallel 60° coned swivel female to BSP parallel 60° coned swivel female

ISO 8434-6 / BS 5200



5

| Pressure PN | Thread | | Approx. Dimensions | | | Part code |
|----------------|-----------|-----------|--------------------|------|----|---------------|
| | G | G1 | L | D | SW | |
| 400 | 1/8"-28 | 1/8"-28 | 21 | 4.0 | 14 | 3050511-02-02 |
| 400 | 1/4"-19 | 1/4"-19 | 26 | 5.0 | 19 | 3050511-04-04 |
| 400 | 3/8"-19 | 3/8"-19 | 30 | 8.0 | 22 | 3050511-06-06 |
| 400 | 1/2"-14 | 1/2"-14 | 29 | 11.0 | 27 | 3050511-08-08 |
| 400 | 3/4"-14 | 3/4"-14 | 34 | 16.5 | 32 | 3050511-12-12 |
| 400 | 1"-11 | 1"-11 | 36 | 22.0 | 41 | 3050511-16-16 |
| 200 | 1 1/4"-11 | 1 1/4"-11 | 38 | 28.0 | 50 | 3050511-20-20 |
| 200 | 1 1/2"-11 | 1 1/2"-11 | 51 | 34.0 | 55 | 3050511-24-24 |
| 100 | 2"-11 | 2"-11 | 66 | 42.0 | 70 | 3050511-32-32 |

BSP swivel female female 90° elbow

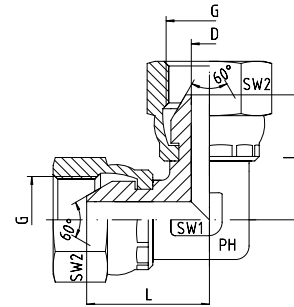
BOOK INDEX

SECTION INDEX

BSP parallel 60° coned swivel female to BSP parallel 60° coned swivel female

90° elbow (short-radius / "block")

ISO 8434-6 / BS 5200



5

| Pressure PN | Thread G | Approx. Dimensions | | | | Part code |
|----------------|-------------|--------------------|------|-----|-----|------------|
| | | L | D | SW1 | SW2 | |
| 400 | 1/8"-28 | 18.0 | 4.0 | 12 | 14 | 4050511-02 |
| 400 | 1/4"-19 | 23.5 | 6.0 | 14 | 19 | 4050511-04 |
| 400 | 3/8"-19 | 25.5 | 8.0 | 17 | 22 | 4050511-06 |
| 400 | 1/2"-14 | 29.5 | 11.0 | 19 | 27 | 4050511-08 |
| 400 | 3/4"-14 | 37.0 | 16.0 | 27 | 32 | 4050511-12 |
| 400 | 1"-11 | 43.0 | 22.0 | 36 | 41 | 4050511-16 |
| 200 | 1 1/4"-11 | 51.0 | 28.0 | 41 | 50 | 4050511-20 |
| 200 | 1 1/2"-11 | 50.0 | 33.5 | 50 | 55 | 4050511-24 |
| 100 | 2"-11 | 80.0 | 42.0 | 65 | 70 | 4050511-32 |

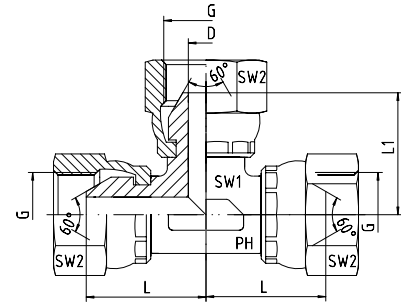
BSP swivel female equal tee

BOOK INDEX

SECTION INDEX

BSP parallel 60° coned swivel female tee

ISO 8434-6 / BS 5200



5

| Pressure PN | Thread G | Approx. Dimensions | | | | | Part code |
|----------------|-------------|--------------------|------|------|-----|-----|------------|
| | | L | L1 | D | SW1 | SW2 | |
| 400 | 1/8"-28 | 18.0 | 18.0 | 4.0 | 12 | 14 | 4150511-02 |
| 400 | 1/4"-19 | 23.5 | 23.5 | 6.0 | 14 | 19 | 4150511-04 |
| 400 | 3/8"-19 | 25.5 | 25.5 | 8.0 | 17 | 22 | 4150511-06 |
| 400 | 1/2"-14 | 29.5 | 29.5 | 11.0 | 19 | 27 | 4150511-08 |
| 400 | 3/4"-14 | 37.0 | 37.0 | 16.0 | 27 | 32 | 4150511-12 |
| 400 | 1"-11 | 43.0 | 43.0 | 22.0 | 36 | 41 | 4150511-16 |
| 200 | 1 1/4"-11 | 51.0 | 51.0 | 28.0 | 41 | 50 | 4150511-20 |
| 200 | 1 1/2"-11 | 50.0 | 50.0 | 33.5 | 50 | 55 | 4150511-24 |
| 100 | 2"-11 | 80.0 | 80.0 | 42.0 | 65 | 70 | 4150511-32 |

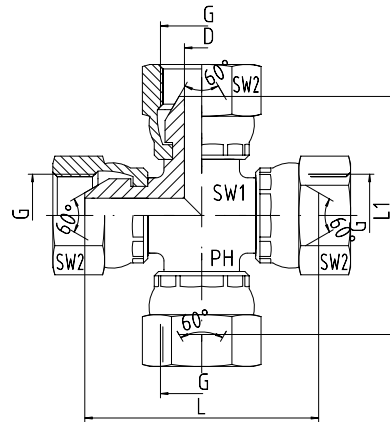
BSP swivel female cross

BOOK INDEX

SECTION INDEX

**BSP parallel 60° coned
swivel female cross**

ISO 8434-6 / BS 5200



5

| Pressure PN | Thread G | Approx. Dimensions | | | | | Part code |
|----------------|-------------|--------------------|------|------|-----|-----|------------|
| | | L | L1 | D | SW1 | SW2 | |
| 400 | 1/8"-28 | 18.0 | 18.0 | 4.0 | 12 | | 4250511-02 |
| 400 | 1/4"-19 | 23.5 | 23.5 | 6.0 | 14 | 19 | 4250511-04 |
| 400 | 3/8"-19 | 25.5 | 25.5 | 8.0 | 17 | 22 | 4250511-06 |
| 400 | 1/2"-14 | 29.5 | 29.5 | 11.0 | 19 | 27 | 4250511-08 |
| 400 | 3/4"-14 | 37.0 | 37.0 | 16.0 | 27 | 32 | 4250511-12 |
| 400 | 1"-11 | 43.0 | 43.0 | 22.0 | 36 | 41 | 4250511-16 |
| 200 | 1 1/4"-11 | | | | | 50 | 4250511-20 |
| 200 | 1 1/2"-11 | | | | | 55 | 4250511-24 |
| | 2"-11 | | | | | 70 | 4250511-32 |

BSP male male 90° elbow

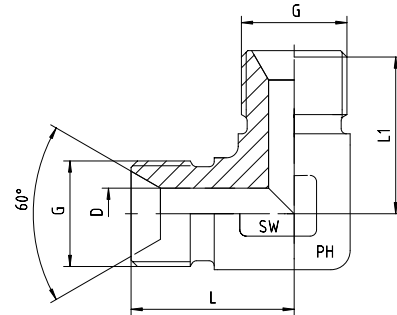
BOOK INDEX

SECTION INDEX

BSP parallel 60° coned male male 90° elbow

ISO 8434-6 / BS 5200

Please note - the male threads do not have a form B sealing shoulder or any shoulder to accept a bonded seal!



5

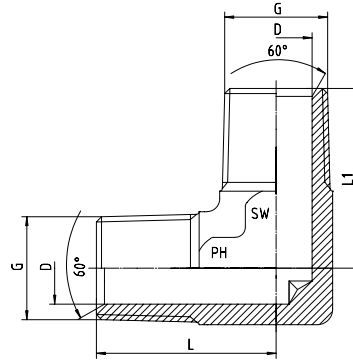
| Pressure PN | Thread G | Approx. Dimensions | | | | Part code |
|----------------|-------------|--------------------|------|------|----|------------|
| | | L | L1 | D | SW | |
| 400 | 1/8"-28 | 20.0 | 20.0 | 4.0 | 12 | 1350510-02 |
| 400 | 1/4"-19 | 24.5 | 24.5 | 6.0 | 14 | 1350510-04 |
| 400 | 3/8"-19 | 25.5 | 25.5 | 8.0 | 17 | 1350510-06 |
| 400 | 1/2"-14 | 29.5 | 29.5 | 11.0 | 19 | 1350510-08 |
| 400 | 3/4"-14 | 37.0 | 37.0 | 16.0 | 27 | 1350510-12 |
| 400 | 1"-11 | 43.0 | 43.0 | 22.0 | 36 | 1350510-16 |
| 200 | 1 1/4"-11 | 51.0 | 51.0 | 28.5 | 41 | 1350510-20 |
| 200 | 1 1/2"-11 | 59.0 | 59.0 | 33.5 | 50 | 1350510-24 |
| 100 | 2"-11 | 77.5 | 77.5 | 45.0 | 65 | 1350510-32 |

NPT male male 90° elbow

BOOK INDEX

SECTION INDEX

**NPT 60° coned male male
90° elbow**



5

| Pressure PN | Thread G = NPT | Approx. Dimensions | | | | Part code |
|----------------|-------------------|--------------------|------|------|----|------------|
| | | L | L1 | D | SW | |
| 420 | 1/8"-27 | 20.0 | 20.0 | 5.0 | 12 | 1350511-02 |
| 420 | 1/4"-18 | 28.0 | 28.0 | 7.0 | 14 | 1350511-04 |
| 420 | 3/8"-18 | 31.0 | 31.0 | 10.0 | 19 | 1350511-06 |
| 420 | 1/2"-14 | 35.0 | 35.0 | 14.0 | 24 | 1350511-08 |
| 420 | 3/4"-14 | 40.0 | 40.0 | 18.0 | 36 | 1350511-12 |
| 420 | 1"-11.5 | 50.0 | 50.0 | 24.0 | 41 | 1350511-16 |
| 315 | 1 1/4"-11.5 | 56.0 | 56.0 | 30.0 | 50 | 1350511-20 |
| 315 | 1 1/2"-11.5 | 59.0 | 59.0 | 37.0 | 50 | 1350511-24 |
| 315 | 2"-11.5 | 76.0 | 76.0 | 45.0 | 65 | 1350511-32 |

BSP male tee

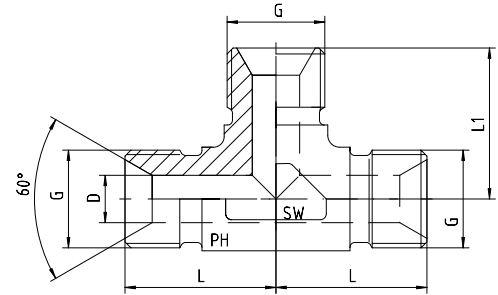
BOOK INDEX

SECTION INDEX

BSP parallel 60° coned male tee

ISO 8434-6 / BS 5200

Please note - the male threads do not have a form B sealing shoulder or any shoulder to accept a bonded seal!



5

| Pressure PN | Thread G | Approx. Dimensions | | | | Part code |
|----------------|-------------|--------------------|------|------|----|------------|
| | | L | L1 | D | SW | |
| 400 | 1/8"-28 | 20.0 | 20.0 | 4.0 | 12 | 1450510-02 |
| 400 | 1/4"-19 | 24.5 | 24.5 | 6.0 | 14 | 1450510-04 |
| 400 | 3/8"-19 | 25.5 | 25.5 | 8.0 | 17 | 1450510-06 |
| 400 | 1/2"-14 | 29.5 | 29.5 | 11.0 | 19 | 1450510-08 |
| 400 | 3/4"-14 | 37.0 | 37.0 | 16.0 | 27 | 1450510-12 |
| 400 | 1"-11 | 43.0 | 43.0 | 22.0 | 36 | 1450510-16 |
| 200 | 1 1/4"-11 | 51.0 | 51.0 | 28.5 | 41 | 1450510-20 |
| 200 | 1 1/2"-11 | 59.0 | 59.0 | 33.5 | 50 | 1450510-24 |
| 100 | 2"-11 | 77.5 | 77.5 | 45.0 | 65 | 1450510-32 |

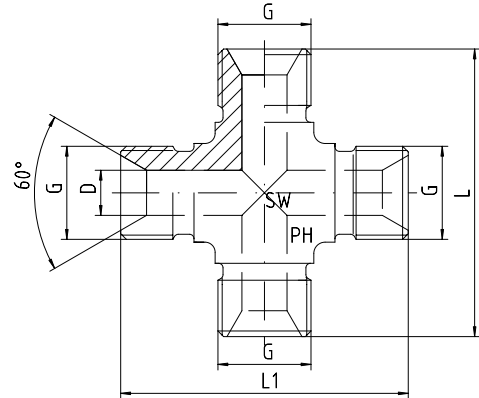
BSP male cross

BOOK INDEX

SECTION INDEX

BSP parallel 60° coned male cross

ISO 8434-6 / BS 5200



5

| Pressure PN | Thread G | Approx. Dimensions | | | | Part code |
|----------------|-------------|--------------------|----|---|----|------------|
| | | L | L1 | D | SW | |
| 400 | 1/8"-28 | | | | | 1550510-02 |
| 400 | 1/4"-19 | | | | | 1550510-04 |
| 400 | 3/8"-19 | | | | | 1550510-06 |
| 400 | 1/2"-14 | | | | | 1550510-08 |
| 400 | 3/4"-14 | | | | | 1550510-12 |
| 400 | 1"-11 | | | | | 1550510-16 |
| 200 | 1 1/4"-11 | | | | | 1550510-20 |
| 200 | 1 1/2"-11 | | | | | 1550510-24 |
| | 2"-11 | | | | | 1550510-32 |

BSP male - swivel female 90° elbow

BOOK INDEX

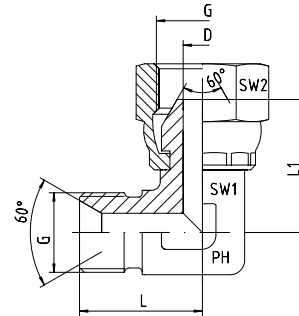
SECTION INDEX

BSP parallel 60° coned male to BSP parallel 60° coned swivel female 90° elbow

Short-radius / "block"

ISO 8434-6 / BS 5200

Please note - the male threads do not have a form B sealing shoulder or any shoulder to accept a bonded seal!



5

| Pressure PN | Thread G | Approx. Dimensions | | | | | Part code |
|----------------|-------------|--------------------|------|------|-----|-----|------------|
| | | L | L1 | D | SW1 | SW2 | |
| 400 | 1/8"-28 | 20.0 | 18.0 | 4.0 | 12 | 14 | 1560510-02 |
| 400 | 1/4"-19 | 24.5 | 23.5 | 6.0 | 14 | 19 | 1560510-04 |
| 400 | 3/8"-19 | 25.5 | 25.5 | 8.0 | 17 | 22 | 1560510-06 |
| 400 | 1/2"-14 | 29.5 | 29.5 | 11.0 | 19 | 27 | 1560510-08 |
| 400 | 3/4"-14 | 37.0 | 37.0 | 16.0 | 27 | 32 | 1560510-12 |
| 400 | 1"-11 | 43.0 | 43.0 | 22.0 | 36 | 41 | 1560510-16 |
| 200 | 1 1/4"-11 | 51.0 | 51.0 | 28.0 | 41 | 50 | 1560510-20 |
| 200 | 1 1/2"-11 | 59.0 | 50.0 | 33.5 | 50 | 55 | 1560510-24 |
| 100 | 2"-11 | 77.5 | 80.0 | 42.0 | 65 | 70 | 1560510-32 |

BSP male - swivel female 45° elbow

BOOK INDEX

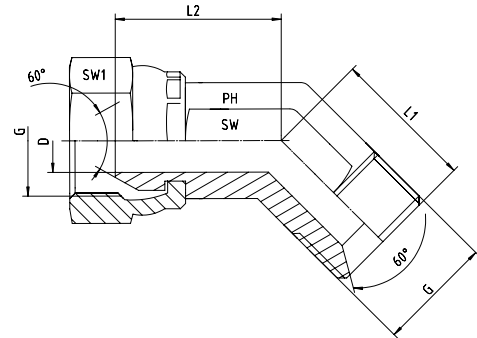
SECTION INDEX

BSP parallel 60° coned male to BSP parallel 60° coned swivel female 45° elbow

Short-radius / "block"

ISO 8434-6 / BS 5200

Please note - the male threads do not have a form B sealing shoulder or any shoulder to accept a bonded seal!



5

| Pressure PN | Thread G | Approx. Dimensions | | | | | Part code |
|----------------|-------------|--------------------|------|------|----|-----|------------|
| | | L1 | L2 | D | SW | SW1 | |
| 400 | 1/8"-28 | 14.0 | 15.0 | 3.5 | 12 | 14 | 1545510-02 |
| 400 | 1/4"-19 | 21.0 | 19.0 | 5.0 | 14 | 19 | 1545510-04 |
| 400 | 3/8"-19 | 21.5 | 20.5 | 8.0 | 16 | 22 | 1545510-06 |
| 400 | 1/2"-14 | 23.5 | 22.5 | 11.0 | 22 | 27 | 1545510-08 |
| 400 | 3/4"-14 | 31.0 | 25.0 | 17.0 | 27 | 32 | 1545510-12 |
| 400 | 1"-11 | 36.5 | 27.0 | 22.0 | 33 | 41 | 1545510-16 |
| 200 | 1 1/4"-11 | | | | | | 1545510-20 |
| 200 | 1 1/2"-11 | | | | | | 1545510-24 |
| 100 | 2"-11 | 56.4 | 59.0 | 42.0 | 65 | 70 | 1545510-32 |

BSP swivel female run tee

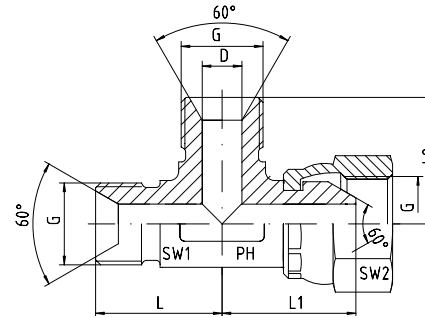
BOOK INDEX

SECTION INDEX

BSP parallel 60° coned swivel female run tee

ISO 8434-6 / BS 5200

Please note - the male threads do not have a form B sealing shoulder or any shoulder to accept a bonded seal!



5

| Pressure PN | Thread G | Approx. Dimensions | | | | | | Part code |
|----------------|-------------|--------------------|------|------|------|-----|-----|------------|
| | | L | L1 | L2 | D | SW1 | SW2 | |
| 400 | 1/8"-28 | 20.0 | 18.0 | 20.0 | 4.0 | 12 | 14 | 1570510-02 |
| 400 | 1/4"-19 | 24.5 | 24.5 | 24.5 | 6.0 | 14 | 19 | 1570510-04 |
| 400 | 3/8"-19 | 25.5 | 25.5 | 25.5 | 8.0 | 17 | 22 | 1570510-06 |
| 400 | 1/2"-14 | 29.5 | 29.5 | 29.5 | 11.0 | 19 | 27 | 1570510-08 |
| 400 | 3/4"-14 | 37.0 | 37.0 | 37.0 | 16.0 | 27 | 32 | 1570510-12 |
| 400 | 1"-11 | 43.0 | 43.0 | 43.0 | 22.0 | 36 | 41 | 1570510-16 |
| 200 | 1 1/4"-11 | 51.0 | 51.0 | 51.0 | 28.0 | 41 | 50 | 1570510-20 |
| 200 | 1 1/2"-11 | 59.0 | 50.0 | 59.0 | 33.5 | 50 | 55 | 1570510-24 |
| 100 | 2"-11 | 77.5 | 80.0 | 77.5 | 42.0 | 65 | 70 | 1570510-32 |

BSP swivel female branch tee

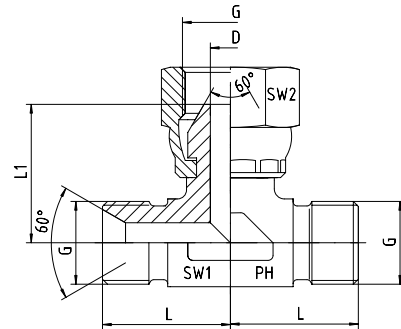
BOOK INDEX

SECTION INDEX

BSP parallel 60° coned swivel female run tee

ISO 8434-6 / BS 5200

Please note - the male threads do not have a form B sealing shoulder or any shoulder to accept a bonded seal!



5

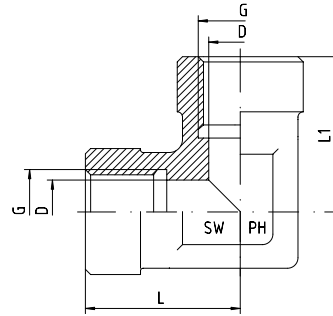
| Pressure PN | Thread G | Approx. Dimensions | | | | | Part code |
|----------------|-------------|--------------------|------|------|-----|-----|------------|
| | | L | L1 | D | SW1 | SW2 | |
| 400 | 1/8"-28 | 20.0 | 18.0 | 4.0 | 12 | 14 | 1580510-02 |
| 400 | 1/4"-19 | 24.5 | 23.5 | 6.0 | 14 | 19 | 1580510-04 |
| 400 | 3/8"-19 | 25.5 | 25.5 | 8.0 | 17 | 22 | 1580510-06 |
| 400 | 1/2"-14 | 29.5 | 29.5 | 11.0 | 19 | 27 | 1580510-08 |
| 400 | 3/4"-14 | 37.0 | 37.0 | 16.0 | 27 | 32 | 1580510-12 |
| 400 | 1"-11 | 43.0 | 43.0 | 22.0 | 36 | 41 | 1580510-16 |
| 200 | 1 1/4"-11 | 51.0 | 51.0 | 28.0 | 41 | 50 | 1580510-20 |
| 200 | 1 1/2"-11 | 59.0 | 50.0 | 33.5 | 50 | 55 | 1580510-24 |
| 100 | 2"-11 | 77.5 | 80.0 | 42.0 | 65 | 70 | 1580510-32 |

BSP fixed female 90° elbow

BOOK INDEX

SECTION INDEX

BSP parallel fixed female 90° elbow



5

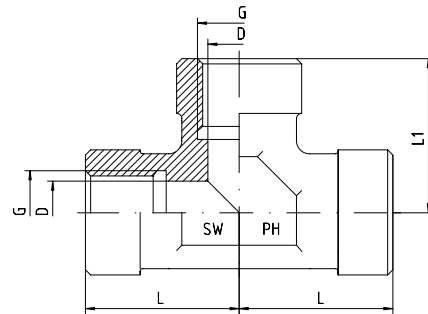
| Pressure PN | Thread G | Approx. Dimensions | | | | Part code |
|----------------|-------------|--------------------|------|------|----|------------|
| | | L | L1 | D | SW | |
| 400 | 1/8"-28 | 20.0 | 20.0 | 8.6 | 17 | 1350520-02 |
| 400 | 1/4"-19 | 22.5 | 22.5 | 11.8 | 19 | 1350520-04 |
| 400 | 3/8"-19 | 26.2 | 26.2 | 15.2 | 24 | 1350520-06 |
| 400 | 1/2"-14 | 31.5 | 31.5 | 19.0 | 27 | 1350520-08 |
| 400 | 3/4"-14 | 33.5 | 33.5 | 24.6 | 36 | 1350520-12 |
| 400 | 1"-11 | 43.0 | 43.0 | 30.7 | 41 | 1350520-16 |
| 200 | 1 1/4"-11 | 51.0 | 51.0 | 39.3 | 50 | 1350520-20 |
| 200 | 1 1/2"-11 | 53.0 | 53.0 | 45.2 | 65 | 1350520-24 |
| | 2"-11 | | | | | 1350520-32 |

BSP fixed female tee

BOOK INDEX

SECTION INDEX

BSP parallel fixed female tee



5

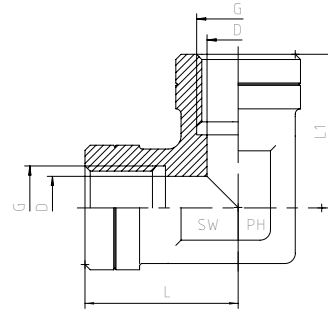
| Pressure PN | Thread G | Approx. Dimensions | | | | Part code |
|----------------|-------------|--------------------|------|------|----|------------|
| | | L | L1 | D | SW | |
| 400 | 1/8"-28 | 20.0 | 20.0 | 8.6 | 17 | 1450520-02 |
| 400 | 1/4"-19 | 22.5 | 22.5 | 11.8 | 19 | 1450520-04 |
| 400 | 3/8"-19 | 26.2 | 26.2 | 15.2 | 24 | 1450520-06 |
| 400 | 1/2"-14 | 31.5 | 31.5 | 19.0 | 27 | 1450520-08 |
| 400 | 3/4"-14 | 33.5 | 33.5 | 24.6 | 36 | 1450520-12 |
| 400 | 1"-11 | 43.0 | 43.0 | 30.7 | 41 | 1450520-16 |
| 200 | 1 1/4"-11 | 51.0 | 51.0 | 39.3 | 50 | 1450520-20 |
| 200 | 1 1/2"-11 | 53.0 | 53.0 | 45.2 | 65 | 1450520-24 |
| | 2"-11 | | | | | 1450520-32 |

NPT fixed female elbow

BOOK INDEX

SECTION INDEX

NPT fixed female elbow



5

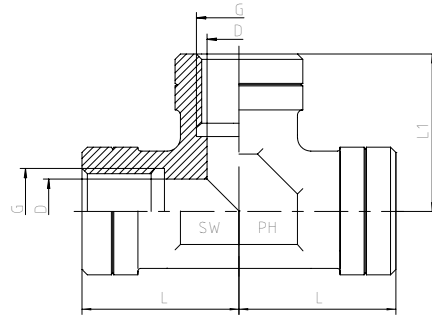
| Pressure PN | Thread G = NPT | Approx. Dimensions | | | | Part code |
|----------------|-------------------|--------------------|------|------|----|------------|
| | | L | L1 | D | SW | |
| 420 | 1/8"-27 | 20.0 | 20.0 | 8.6 | 17 | 1350521-02 |
| 420 | 1/4"-18 | 22.5 | 22.5 | 11.8 | 19 | 1350521-04 |
| 420 | 3/8"-18 | 26.2 | 26.2 | 15.2 | 24 | 1350521-06 |
| 420 | 1/2"-14 | 31.5 | 31.5 | 19.0 | 27 | 1350521-08 |
| 420 | 3/4"-14 | 33.5 | 33.5 | 24.6 | 36 | 1350521-12 |
| 420 | 1"-11.5 | 43.0 | 43.0 | 30.7 | 41 | 1350521-16 |
| 315 | 1 1/4"-11.5 | 51.0 | 51.0 | 39.3 | 50 | 1350521-20 |
| 315 | 1 1/2"-11.5 | 53.0 | 53.0 | 45.2 | 65 | 1350521-24 |

NPT fixed female tee

BOOK INDEX

SECTION INDEX

NPT fixed female tee



5

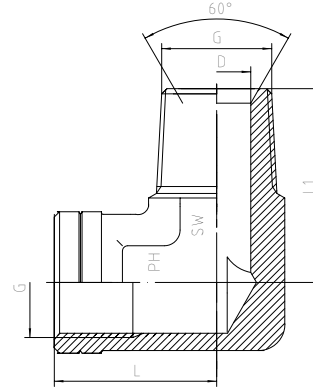
| Pressure PN | Thread G = NPT | Approx. Dimensions | | | | Part code |
|----------------|-------------------|--------------------|------|------|----|------------|
| | | L | L1 | D | SW | |
| 420 | 1/8"-27 | 20.0 | 20.0 | 8.6 | 17 | 1450521-02 |
| 420 | 1/4"-18 | 22.5 | 22.5 | 11.8 | 19 | 1450521-04 |
| 420 | 3/8"-18 | 26.2 | 26.2 | 15.2 | 24 | 1450521-06 |
| 420 | 1/2"-14 | 31.5 | 31.5 | 19.0 | 27 | 1450521-08 |
| 420 | 3/4"-14 | 33.5 | 33.5 | 24.6 | 36 | 1450521-12 |
| 420 | 1"-11.5 | 43.0 | 43.0 | 30.7 | 41 | 1450521-16 |
| 315 | 1 1/4"-11.5 | 51.0 | 51.0 | 39.3 | 50 | 1450521-20 |
| 315 | 1 1/2"-11.5 | 53.0 | 53.0 | 45.2 | 65 | 1450521-24 |

NPT fixed female to male 90° elbow

BOOK INDEX

SECTION INDEX

NPT fixed female to male 90° elbow



5

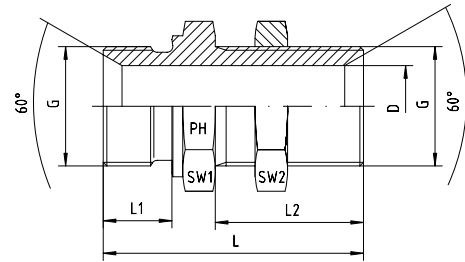
| Pressure PN | Thread G = NPT | Approx. Dimensions | | | | Part code |
|----------------|-------------------|--------------------|------|------|----|------------|
| | | L | L1 | D | SW | |
| 420 | 1/8"-27 | 20.0 | 22.0 | 5.0 | 17 | 1350512-02 |
| 420 | 1/4"-18 | 22.5 | 30.0 | 7.0 | 19 | 1350512-04 |
| 420 | 3/8"-18 | 26.3 | 32.0 | 10.0 | 24 | 1350512-06 |
| 420 | 1/2"-14 | 31.0 | 37.0 | 14.0 | 27 | 1350512-08 |
| 420 | 3/4"-14 | 33.5 | 43.0 | 18.0 | 36 | 1350512-12 |
| 420 | 1"-11.5 | 43.0 | 50.0 | 24.0 | 41 | 1350512-16 |
| 315 | 1 1/4"-11.5 | 51.0 | 56.0 | 30.0 | 50 | 1350512-20 |
| 315 | 1 1/2"-11.5 | 53.0 | 67.0 | 36.0 | 65 | 1350512-24 |

BSP parallel 60° coned male male bulkhead, complete with locknut.

BOOK INDEX

SECTION INDEX

BSP parallel 60° coned male male bulkhead, complete with locknut.
ISO 8434-6 / BS 5200



5

| Pressure PN | Thread G | Approx. Dimensions | | | | | | Part code |
|----------------|-------------|--------------------|----|----|------|-----|-----|------------|
| | | L | L1 | L2 | D | SW1 | SW2 | |
| 400 | 1/8"-28 | 42.5 | 8 | 28 | 4.5 | 14 | 14 | 1050511-02 |
| 400 | 1/4"-19 | 46.0 | 11 | 28 | 6.0 | 19 | 19 | 1050511-04 |
| 400 | 3/8"-19 | 52.0 | 12 | 32 | 8.0 | 22 | 22 | 1050511-06 |
| 400 | 1/2"-14 | 59.0 | 14 | 35 | 11.0 | 27 | 27 | 1050511-08 |
| 400 | 5/8"-14 | 63.0 | 16 | 35 | 14.5 | 30 | 30 | 1050511-10 |
| 400 | 3/4"-14 | 66.0 | 16 | 38 | 16.5 | 32 | 32 | 1050511-12 |
| 400 | 1"-11 | 72.0 | 19 | 41 | 22.5 | 41 | 41 | 1050511-16 |
| 200 | 1 1/4"-11 | 78.0 | 20 | 44 | 30.5 | 50 | 50 | 1050511-20 |
| 200 | 1 1/2"-11 | 84.0 | 22 | 48 | 37.0 | 55 | 55 | 1050511-24 |
| 100 | 2"-11 | 91.0 | 23 | 48 | 46.0 | 70 | 70 | 1050511-32 |

BSP to BSP taper male male 90° elbow

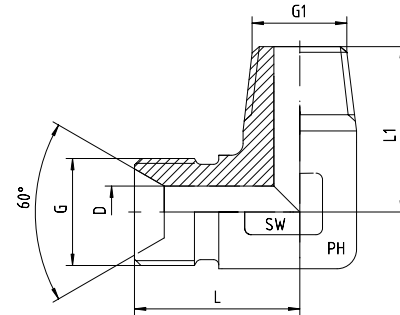
BOOK INDEX

SECTION INDEX

BSP parallel 60° coned male to BSP taper male 90° elbow

ISO 8434-6 / BS 5200

Please note - the male BSPP thread does not have a form B sealing shoulder or any shoulder to accept a bonded seal!



5

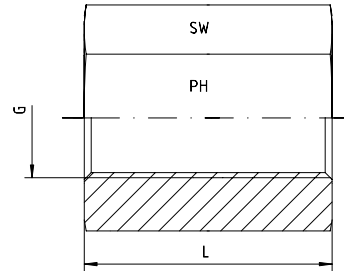
| Pressure PN | Thread | | Approx. Dimensions | | | | Part code |
|----------------|--------------|-----------|--------------------|------|------|----|------------|
| | G = BSP zyl. | G1 = keg. | L | L1 | D | SW | |
| 400 | 1/8"-28 | 1/8"-28 | 20.0 | 20.0 | 4.0 | 12 | 1350500-02 |
| 400 | 1/4"-19 | 1/4"-19 | 24.5 | 26.0 | 6.0 | 14 | 1350500-04 |
| 400 | 3/8"-19 | 3/8"-19 | 25.5 | 25.5 | 8.0 | 17 | 1350500-06 |
| 400 | 1/2"-14 | 1/2"-14 | 29.5 | 35.0 | 11.0 | 19 | 1350500-08 |
| 400 | 3/4"-14 | 3/4"-14 | 37.0 | 37.0 | 16.0 | 27 | 1350500-12 |
| 400 | 1"-11 | 1"-11 | 43.0 | 43.0 | 22.0 | 36 | 1350500-16 |
| 200 | 1 1/4"-11 | 1 1/4"-11 | 51.0 | 51.0 | 28.5 | 41 | 1350500-20 |
| 200 | 1 1/2"-11 | 1 1/2"-11 | 59.0 | 63.0 | 33.5 | 50 | 1350500-24 |
| 100 | 2"-11 | 2"-11 | 77.5 | 77.5 | 45.0 | 65 | 1350500-32 |

BSP hexagonal socket

BOOK INDEX

SECTION INDEX

BSP parallel fixed female socket



5

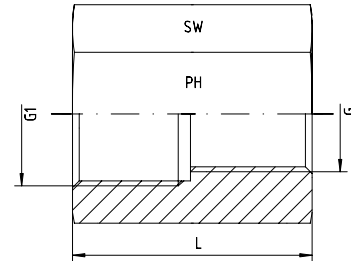
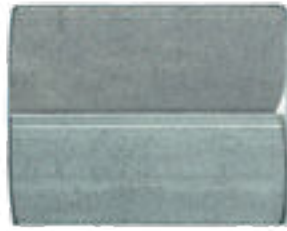
| Pressure PN | Thread G | Approx. Dimensions | | Part code |
|----------------|-------------|--------------------|----|---------------|
| | | L | SW | |
| 630 | 1/8"-28 | 18 | 14 | 1050512-02-02 |
| 630 | 1/4"-19 | 25 | 17 | 1050512-04-04 |
| 630 | 3/8"-19 | 26 | 22 | 1050512-06-06 |
| 400 | 1/2"-14 | 34 | 27 | 1050512-08-08 |
| 400 | 3/4"-14 | 36 | 32 | 1050512-12-12 |
| 400 | 1"-11 | 43 | 41 | 1050512-16-16 |
| 315 | 1 1/4"-11 | 48 | 50 | 1050512-20-20 |
| 315 | 1 1/2"-11 | 48 | 55 | 1050512-24-24 |
| 250 | 2"-11 | 56 | 70 | 1050512-32-32 |

BSPP hexagonal reducing socket

BOOK INDEX

SECTION INDEX

BSP parallel fixed female reducing socket



5

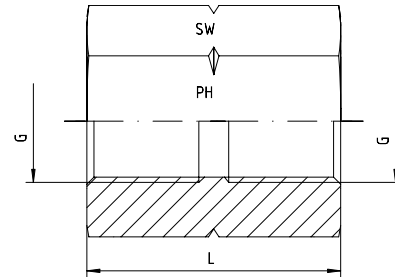
| Pressure PN | Thread G1 x G | Approx. Dimensions | | Part code |
|----------------|------------------|--------------------|----|---------------|
| | | L | SW | |
| 630 | 1/4" x 1/8" | 25 | 17 | 1050512-04-02 |
| 630 | 3/8" x 1/4" | 32 | 22 | 1050512-06-04 |
| 400 | 1/2" x 3/8" | 35 | 27 | 1050512-08-06 |
| 400 | 1/2" x 1/4" | 35 | 27 | 1050512-08-04 |
| 400 | 3/4" x 1/2" | 38 | 32 | 1050512-12-08 |
| 400 | 3/4" x 3/8" | 38 | 32 | 1050512-12-06 |
| 400 | 1" x 3/4" | 42 | 41 | 1050512-16-12 |
| 400 | 1" x 1/2" | 42 | 41 | 1050512-16-08 |
| 315 | 1 1/4" x 1" | 48 | 50 | 1050512-20-16 |
| 315 | 1 1/2" x 1 1/4" | 48 | 55 | 1050512-24-20 |
| 250 | 2" x 1 1/2" | 56 | 70 | 1050512-32-24 |

NPT hexagonal socket

BOOK INDEX

SECTION INDEX

NPT fixed female socket



5

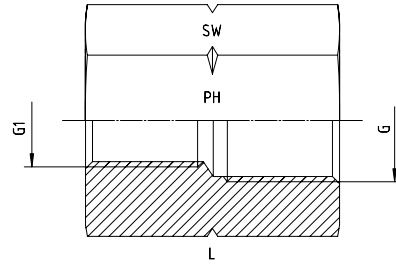
| Pressure PN | Thread G = NPT | Approx. Dimensions | | Part code |
|----------------|-------------------|--------------------|----|------------|
| | | L | SW | |
| 630 | 1/8" -27 | 18 | 14 | 1050516-02 |
| 630 | 1/4" -18 | 25 | 17 | 1050516-04 |
| 630 | 3/8" -18 | 26 | 22 | 1050516-06 |
| 630 | 1/2" -14 | 34 | 27 | 1050516-08 |
| 400 | 3/4" -14 | 36 | 32 | 1050516-12 |
| 400 | 1" -11.5 | 43 | 41 | 1050516-16 |
| 400 | 1 1/4" -11.5 | 59 | 50 | 1050516-20 |
| 400 | 1 1/2" -11.5 | 59 | 55 | 1050516-24 |
| 315 | 2" -11.5 | 59 | 70 | 1050516-32 |

NPT hexagonal reducing socket

BOOK INDEX

SECTION INDEX

NPT fixed female reducing socket



5

| Pressure PN | Thread | | Approx. Dimensions | | Part code |
|----------------|----------|----------|--------------------|----|---------------|
| | G = NPT | G1 = NPT | L | SW | |
| 400 | 3/4" -14 | 1/2" -14 | 36.0 | 32 | 1050516-12-08 |

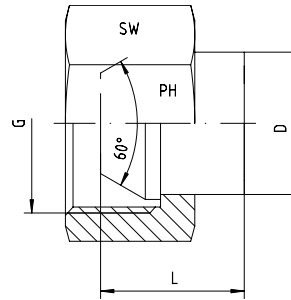
BSPP swivel female cap

BOOK INDEX

SECTION INDEX

BSP parallel 60° coned swivel female cap

ISO 8434-6 / BS 5200



5

| Pressure PN | Thread G = BSP | Approx. Dimensions | | | Part code |
|----------------|-------------------|--------------------|------|----|------------|
| | | L | D | SW | |
| 400 | 1/8"-28 | 11 | 12.0 | 14 | 1050513-02 |
| 400 | 1/4"-19 | 15 | 9.0 | 17 | 1050513-04 |
| 400 | 3/8"-19 | 15 | 12.4 | 19 | 1050513-06 |
| 400 | 1/2"-14 | 17 | 16.4 | 27 | 1050513-08 |
| 400 | 5/8"-14 | 16 | 22.0 | 27 | 1050513-10 |
| 400 | 3/4"-14 | 19 | 21.3 | 32 | 1050513-12 |
| 400 | 1"-11 | 20 | 27.8 | 41 | 1050513-16 |
| 200 | 1 1/4"-11 | 22 | 36.0 | 50 | 1050513-20 |
| 200 | 1 1/2"-11 | 25 | 45.0 | 55 | 1050513-24 |
| 100 | 2"-11 | 31 | 54.5 | 70 | 1050513-32 |

BSP hexagonal head plug

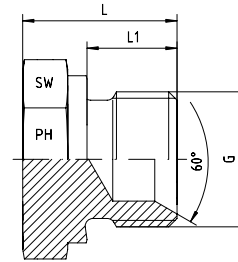
BOOK INDEX

SECTION INDEX

BSP parallel 60° coned male plug.

Form B sealing shoulder.

ISO 8434-6 / BS 5200



5

| Pressure PN | Thread G = BSP | Approx. Dimensions | | | Part code |
|----------------|-------------------|--------------------|----|----|------------|
| | | L | L1 | SW | |
| 400 | 1/8"-28 | 14.0 | 8 | 14 | 1050514-02 |
| 400 | 1/4"-19 | 17.0 | 10 | 19 | 1050514-04 |
| 400 | 3/8"-19 | 20.5 | 12 | 22 | 1050514-06 |
| 400 | 1/2"-14 | 24.0 | 14 | 27 | 1050514-08 |
| 400 | 5/8"-14 | 24.0 | 14 | 30 | 1050514-10 |
| 400 | 3/4"-14 | 27.0 | 16 | 32 | 1050514-12 |
| 400 | 1"-11 | 31.0 | 18 | 41 | 1050514-16 |
| 200 | 1 1/4"-11 | 33.0 | 20 | 50 | 1050514-20 |
| 200 | 1 1/2"-11 | 36.0 | 22 | 55 | 1050514-24 |
| 100 | 2"-11 | 36.0 | 22 | 70 | 1050514-32 |

BSP male - fixed female reducing bush

BOOK INDEX

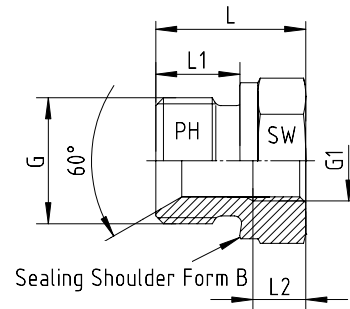
SECTION INDEX

BSP parallel 60° coned male to BSP parallel fixed female reducing bush

Type - "Form A".

Form B sealing shoulder.

Both threads BSP to DIN/ISO 228.



5

| Pressure PN | Thread | | Approx. Dimensions | | | | Form | Part code |
|----------------|-----------|-----------|--------------------|------|------|----|------|---------------|
| | G = BSP | G1 = BSP | L | L1 | L2 | SW | | |
| 400 | 3/8"-19 | 1/8"-28 | 22.5 | 12.0 | 8.0 | 22 | A | 1050515-06-02 |
| 400 | 1/2"-14 | 1/8"-28 | 24.0 | 14.0 | 8.0 | 27 | A | 1050515-08-02 |
| 400 | 1/2"-14 | 1/4"-19 | 24.0 | 14.0 | 12.0 | 27 | A | 1050515-08-04 |
| 400 | 3/4"-14 | 1/8"-28 | 26.0 | 16.0 | 8.0 | 32 | A | 1050515-12-02 |
| 400 | 3/4"-14 | 1/4"-19 | 26.0 | 16.0 | 12.0 | 32 | A | 1050515-12-04 |
| 400 | 3/4"-14 | 3/8"-19 | 26.0 | 16.0 | 13.0 | 32 | A | 1050515-12-06 |
| 400 | 1"-11 | 1/4"-19 | 29.0 | 18.0 | 12.0 | 41 | A | 1050515-16-04 |
| 400 | 1"-11 | 3/8"-19 | 29.0 | 18.0 | 12.0 | 41 | A | 1050515-16-06 |
| 400 | 1"-11 | 1/2"-14 | 29.0 | 18.0 | 14.0 | 41 | A | 1050515-16-08 |
| 250 | 1 1/4"-11 | 3/8"-19 | 32.0 | 20.0 | 17.0 | 50 | A | 1050515-20-06 |
| 250 | 1 1/4"-11 | 1/2"-14 | 32.0 | 20.0 | 14.0 | 50 | A | 1050515-20-08 |
| 250 | 1 1/4"-11 | 3/4"-14 | 32.0 | 20.0 | 16.0 | 50 | A | 1050515-20-12 |
| 250 | 1 1/2"-11 | 1/2"-14 | 36.0 | 22.0 | 14.0 | 55 | A | 1050515-24-08 |
| 250 | 1 1/2"-11 | 3/4"-14 | 36.0 | 22.0 | 16.0 | 55 | A | 1050515-24-12 |
| 250 | 1 1/2"-11 | 1"-11 | 36.0 | 22.0 | 18.0 | 55 | A | 1050515-24-16 |
| 250 | 2"-11 | 1/2"-14 | 41.5 | 22.5 | 16.0 | 70 | A | 1050515-32-08 |
| 250 | 2"-11 | 3/4"-14 | 42.0 | 22.5 | 16.0 | 70 | A | 1050515-32-12 |
| 250 | 2"-11 | 1"-11 | 42.0 | 22.5 | 18.5 | 70 | A | 1050515-32-16 |
| 250 | 2"-11 | 1 1/4"-11 | 42.0 | 22.5 | 18.5 | 70 | A | 1050515-32-20 |
| 250 | 2"-11 | 1 1/2"-11 | 42.0 | 22.5 | 18.5 | 70 | A | 1050515-32-24 |

BSP male - fixed female reducing bush

BOOK INDEX

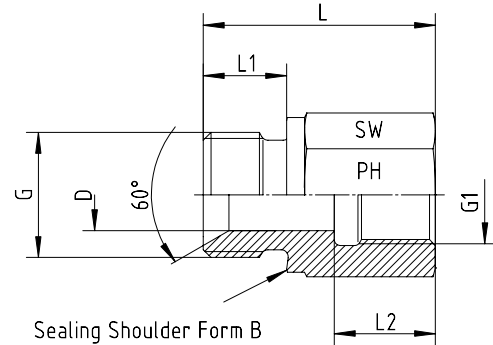
SECTION INDEX

BSP parallel 60° coned male to BSP parallel fixed female reducing bush

Type - "Form B".

Form B sealing shoulder.

Both threads BSP to DIN/ISO 228.



5

| Pressure PN | Thread | | Approx. Dimensions | | | | | Form | Part code |
|----------------|-----------|-----------|--------------------|------|------|------|----|------|---------------|
| | G = BSP | G1 = BSP | L | L1 | L2 | D | SW | | |
| 630 | 1/8"-28 | 1/8"-28 | 23.5 | 8.0 | 11.0 | 4.5 | 17 | B | 1050515-02-02 |
| 630 | 1/8"-28 | 1/4"-19 | 31.0 | 8.0 | 17.0 | 4.0 | 19 | B | 1050515-02-04 |
| 630 | 1/8"-28 | 3/8"-19 | 32.0 | 8.0 | 17.0 | 4.0 | 24 | B | 1050515-02-06 |
| 630 | 1/8"-28 | 1/2"-14 | 37.0 | 8.0 | 20.0 | 4.0 | 27 | B | 1050515-02-08 |
| 630 | 1/4"-19 | 1/8"-28 | 28.0 | 12.0 | 12.0 | 7.0 | 19 | B | 1050515-04-02 |
| 630 | 1/4"-19 | 1/4"-19 | 32.0 | 10.0 | 17.0 | 6.0 | 19 | B | 1050515-04-04 |
| 630 | 1/4"-19 | 3/8"-19 | 36.0 | 12.0 | 17.0 | 7.0 | 24 | B | 1050515-04-06 |
| 630 | 1/4"-19 | 1/2"-14 | 40.0 | 12.0 | 20.0 | 5.0 | 27 | B | 1050515-04-08 |
| 630 | 1/4"-19 | 3/4"-14 | 43.0 | 12.0 | 22.0 | 6.0 | 36 | B | 1050515-04-12 |
| 400 | 3/8"-19 | 1/4"-19 | 36.0 | 12.0 | 17.0 | 8.0 | 22 | B | 1050515-06-04 |
| 400 | 3/8"-19 | 3/8"-19 | 36.0 | 12.0 | 17.0 | 9.0 | 24 | B | 1050515-06-06 |
| 400 | 3/8"-19 | 1/2"-14 | 41.0 | 12.0 | 20.0 | 8.0 | 27 | B | 1050515-06-08 |
| 400 | 3/8"-19 | 3/4"-14 | 44.0 | 12.0 | 22.0 | 8.0 | 36 | B | 1050515-06-12 |
| 400 | 3/8"-19 | 1"-11 | 46.5 | 12.0 | 24.5 | 8.0 | 41 | B | 1050515-06-16 |
| 400 | 1/2"-14 | 3/8"-19 | 36.0 | 14.0 | 17.0 | 12.0 | 27 | B | 1050515-08-06 |
| 400 | 1/2"-14 | 1/2"-14 | 39.0 | 14.0 | 20.0 | 12.0 | 27 | B | 1050515-08-08 |
| 400 | 1/2"-14 | 3/4"-14 | 46.0 | 14.0 | 22.0 | 12.0 | 36 | B | 1050515-08-12 |
| 400 | 1/2"-14 | 1"-11 | 49.0 | 14.0 | 24.5 | 12.0 | 41 | B | 1050515-08-16 |
| 250 | 1/2"-14 | 1 1/4"-11 | 53.0 | 14.0 | 26.5 | 12.0 | 55 | B | 1050515-08-20 |
| 400 | 3/4"-14 | 1/2"-14 | 41.0 | 16.0 | 20.0 | 16.0 | 32 | B | 1050515-12-08 |
| 400 | 3/4"-14 | 3/4"-14 | 45.0 | 16.0 | 22.5 | 18.0 | 32 | B | 1050515-12-12 |
| 400 | 3/4"-14 | 1"-11 | 51.0 | 16.0 | 24.5 | 16.0 | 41 | B | 1050515-12-16 |
| 250 | 3/4"-14 | 1 1/4"-11 | 55.0 | 16.0 | 26.5 | 16.0 | 55 | B | 1050515-12-20 |
| 250 | 3/4"-14 | 1 1/2"-11 | 57.0 | 16.0 | 28.5 | 16.0 | 60 | B | 1050515-12-24 |
| 400 | 1"-11 | 3/4"-14 | 47.0 | 18.0 | 22.0 | 20.0 | 41 | B | 1050515-16-12 |
| 400 | 1"-11 | 1"-11 | 49.5 | 18.0 | 24.5 | 22.0 | 41 | B | 1050515-16-16 |
| 250 | 1"-11 | 1 1/4"-11 | 57.0 | 18.0 | 26.5 | 20.0 | 55 | B | 1050515-16-20 |
| 250 | 1"-11 | 1 1/2"-11 | 59.0 | 18.0 | 28.5 | 20.0 | 60 | B | 1050515-16-24 |
| 250 | 1 1/4"-11 | 1"-11 | 52.0 | 20.0 | 24.5 | 25.0 | 50 | B | 1050515-20-16 |
| 250 | 1 1/4"-11 | 1 1/4"-11 | 58.0 | 20.0 | 27.0 | 25.0 | 50 | B | 1050515-20-20 |
| 250 | 1 1/4"-11 | 1 1/2"-11 | 60.0 | 20.0 | 28.5 | 25.0 | 60 | B | 1050515-20-24 |
| 250 | 1 1/2"-11 | 1 1/4"-11 | 58.0 | 22.0 | 26.5 | 32.0 | 55 | B | 1050515-24-20 |
| 250 | 1 1/2"-11 | 1 1/2"-11 | 58.0 | 22.0 | 27.5 | 37.0 | 55 | B | 1050515-24-24 |
| 100 | 2"-11 | 2"-11 | 64.5 | 23.0 | 30.5 | 43.0 | 70 | B | 1050515-32-32 |

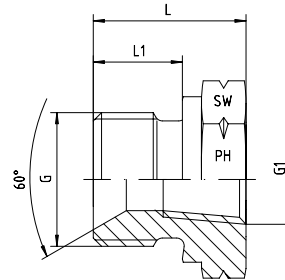
BSPP male to NPT female

BOOK INDEX

SECTION INDEX

BSP parallel 60° coned male to NPT fixed female.

Type - "Form A".



5

| Pressure PN | Thread | | Approx. Dimensions | | | | Form | Part code |
|----------------|-----------|-------------|--------------------|----|------|----|------|---------------|
| | G = BSP | G1 = NPT | L | L1 | D | SW | | |
| 400 | 1/2"-14 | 1/4"-18 | 24.0 | 14 | 11.5 | 27 | A | 1050518-08-04 |
| 400 | 1/2"-14 | 3/8"-18 | 32.5 | 14 | 12.0 | 27 | A | 1050518-08-06 |
| 400 | 3/4"-14 | 3/8"-18 | 30.0 | 16 | 14.5 | 32 | A | 1050518-12-06 |
| 400 | 1"-11 | 1/2"-14 | 31.0 | 18 | 18.0 | 41 | A | 1050518-16-08 |
| 400 | 1"-11 | 3/4"-14 | 32.0 | 18 | 23.0 | 41 | A | 1050518-16-12 |
| 200 | 1 1/4"-11 | 3/4"-14 | 37.0 | 20 | 22.5 | 50 | A | 1050518-20-12 |
| 200 | 1 1/4"-11 | 1"-11.5 | 37.0 | 20 | 33.0 | 50 | A | 1050518-20-16 |
| 200 | 1 1/2"-11 | 1"-11.5 | 39.0 | 22 | 28.5 | 55 | A | 1050518-24-16 |
| 200 | 1 1/2"-11 | 1 1/4"-11.5 | 39.0 | 22 | 37.0 | 55 | A | 1050518-24-20 |

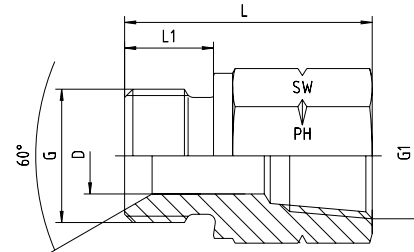
BSP male to NPT female

BOOK INDEX

SECTION INDEX

BSP parallel 60° coned male to NPT fixed female.

Type - "Form B".



5

| Pressure PN | Thread | | Approx. Dimensions | | | | Form | Part code |
|----------------|-----------|-------------|--------------------|----|------|----|------|---------------|
| | G = BSP | G1 = NPT | L | L1 | D | SW | | |
| 400 | 1/8"-28 | 1/8"-27 | 25.0 | 8 | 4.0 | 14 | B | 1050518-02-02 |
| 400 | 1/8"-28 | 1/4"-18 | 31.0 | 8 | 4.0 | 19 | B | 1050518-02-04 |
| 400 | 1/4"-19 | 1/8"-27 | 32.0 | 12 | 6.0 | 19 | B | 1050518-04-02 |
| 400 | 1/4"-19 | 1/4"-18 | 32.0 | 12 | 6.0 | 19 | B | 1050518-04-04 |
| 400 | 1/4"-19 | 3/8"-18 | 31.0 | 10 | 7.0 | 24 | B | 1050518-04-06 |
| 400 | 1/4"-19 | 1/2"-14 | 38.0 | 10 | 7.0 | 27 | B | 1050518-04-08 |
| 400 | 3/8"-19 | 1/4"-18 | 36.0 | 12 | 9.0 | 22 | B | 1050518-06-04 |
| 400 | 3/8"-19 | 3/8"-18 | 36.0 | 12 | 9.0 | 24 | B | 1050518-06-06 |
| 400 | 3/8"-19 | 1/2"-14 | 37.0 | 12 | 9.0 | 27 | B | 1050518-06-08 |
| 400 | 1/2"-14 | 1/2"-14 | 39.0 | 14 | 12.0 | 27 | B | 1050518-08-08 |
| 400 | 1/2"-14 | 3/4"-14 | 46.0 | 14 | 13.0 | 36 | B | 1050518-08-12 |
| 400 | 3/4"-14 | 1/2"-14 | 44.0 | 16 | 18.0 | 32 | A | 1050518-12-08 |
| 400 | 3/4"-14 | 3/4"-14 | 48.0 | 16 | 18.0 | 36 | B | 1050518-12-12 |
| 400 | 3/4"-14 | 1"-11.5 | 51.0 | 16 | 18.0 | 41 | B | 1050518-12-16 |
| 400 | 1"-11 | 1"-11.5 | 49.5 | 18 | 22.0 | 41 | B | 1050518-16-16 |
| 400 | 1"-11 | 1 1/4"-11.5 | 50.5 | 18 | 22.0 | 50 | B | 1050518-16-20 |
| 200 | 1 1/4"-11 | 1 1/4"-11.5 | 58.0 | 20 | 25.0 | 50 | B | 1050518-20-20 |
| 200 | 1 1/2"-11 | 1 1/2"-11.5 | 62.0 | 22 | 37.0 | 55 | B | 1050518-24-24 |
| 100 | 2"-11 | 2"-11.5 | 64.0 | 23 | 43.0 | 70 | B | 1050518-32-32 |

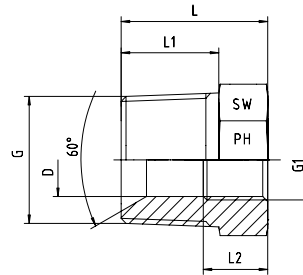
NPT male to BSPP fixed female

BOOK INDEX

SECTION INDEX

NPT male to BSP parallel fixed female.

Type - "Form A".



5

| Pressure PN | Thread | | Approx. Dimensions | | | | | Form | Part code |
|----------------|--------------|----------|--------------------|------|------|------|----|------|---------------|
| | G = NPT | G1 = BSP | L | L1 | L2 | D | SW | | |
| 400 | 1/2" -14 | 1/8" -28 | 26.0 | 20.0 | 11.0 | 8.5 | 22 | A | 1050517-08-02 |
| 400 | 1/2" -14 | 1/4" -19 | 27.0 | 20.0 | 17.0 | 13.0 | 24 | A | 1050517-08-04 |
| 400 | 3/4" -14 | 3/8" -19 | 28.0 | 20.0 | 17.0 | 15.0 | 27 | A | 1050517-12-06 |
| 400 | 1" -11.5 | 1/2" -14 | 34.0 | 25.0 | 20.0 | 19.0 | 36 | A | 1050517-16-08 |
| 200 | 1 1/4" -11.5 | 3/4" -14 | 40.0 | 25.5 | 22.5 | 24.2 | 46 | A | 1050517-20-12 |
| 200 | 1 1/4" -11.5 | 1" -11 | 40.0 | 25.5 | 25.0 | 30.6 | 46 | A | 1050517-20-16 |
| 200 | 1 1/2" -11.5 | 1" -11 | 40.0 | 26.0 | 25.0 | 30.6 | 55 | A | 1050517-24-16 |

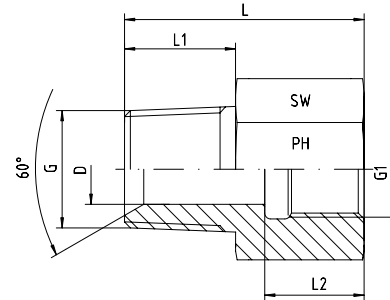
NPT male to BSPP fixed female

BOOK INDEX

SECTION INDEX

NPT male to BSP parallel fixed female.

Type - "Form B".



5

| Pressure PN | Thread | | Approx. Dimensions | | | | | Form | Part code |
|----------------|-------------|-----------|--------------------|------|------|------|----|------|---------------|
| | G = NPT | G1 = BSP | L | L1 | L2 | D | SW | | |
| 400 | 1/8"-27 | 1/8"-28 | 25.0 | 10.0 | 12.0 | 4.0 | 14 | B | 1050517-02-02 |
| 400 | 1/8"-27 | 1/4"-19 | 30.0 | 10.0 | 17.0 | 4.0 | 19 | B | 1050517-02-04 |
| 400 | 1/4"-18 | 1/8"-28 | 30.0 | 15.0 | 12.0 | 6.0 | 14 | B | 1050517-04-02 |
| 400 | 1/4"-18 | 1/4"-19 | 34.0 | 15.0 | 17.0 | 6.0 | 19 | B | 1050517-04-04 |
| 400 | 1/4"-18 | 3/8"-19 | 35.0 | 15.0 | 17.0 | 6.0 | 24 | B | 1050517-04-06 |
| 400 | 1/4"-18 | 1/2"-14 | 36.5 | 15.0 | 20.0 | 5.0 | 27 | B | 1050517-04-08 |
| 400 | 3/8"-18 | 1/4"-19 | 35.0 | 15.0 | 17.0 | 9.0 | 19 | B | 1050517-06-04 |
| 400 | 3/8"-18 | 3/8"-19 | 35.0 | 15.0 | 17.0 | 9.0 | 24 | B | 1050517-06-06 |
| 400 | 3/8"-18 | 1/2"-14 | 37.0 | 15.0 | 20.0 | 9.0 | 27 | B | 1050517-06-08 |
| 400 | 1/2"-14 | 3/8"-19 | 38.0 | 20.0 | 17.0 | 12.0 | 24 | B | 1050517-08-06 |
| 400 | 1/2"-14 | 1/2"-14 | 41.0 | 20.0 | 20.0 | 12.0 | 27 | B | 1050517-08-08 |
| 400 | 1/2"-14 | 3/4"-14 | 48.0 | 20.0 | 22.5 | 12.0 | 32 | B | 1050517-08-12 |
| 400 | 3/4"-14 | 1/2"-14 | 42.0 | 20.0 | 20.0 | 15.0 | 27 | B | 1050517-12-08 |
| 400 | 3/4"-14 | 3/4"-14 | 48.0 | 20.0 | 22.5 | 18.0 | 32 | B | 1050517-12-12 |
| 400 | 3/4"-14 | 1"-11 | 50.0 | 20.0 | 25.0 | 18.0 | 41 | B | 1050517-12-16 |
| 400 | 1"-11.5 | 3/4"-14 | 54.0 | 25.0 | 22.5 | 21.0 | 36 | B | 1050517-16-12 |
| 400 | 1"-11.5 | 1"-11 | 57.0 | 25.0 | 25.0 | 21.0 | 41 | B | 1050517-16-16 |
| 200 | 1"-11.5 | 1 1/4"-11 | 57.0 | 25.0 | 27.0 | 21.0 | 55 | B | 1050517-16-20 |
| 200 | 1 1/4"-11.5 | 1 1/4"-11 | 57.5 | 25.5 | 27.0 | 30.0 | 55 | B | 1050517-20-20 |
| 200 | 1 1/4"-11.5 | 1 1/2"-11 | 62.5 | 25.5 | 27.5 | 30.0 | 55 | B | 1050517-20-24 |
| 200 | 1 1/2"-11.5 | 1 1/4"-11 | 56.0 | 26.0 | 27.0 | 36.0 | 55 | B | 1050517-24-20 |
| 200 | 1 1/2"-11.5 | 1 1/2"-11 | 63.0 | 26.0 | 27.5 | 36.0 | 55 | B | 1050517-24-24 |
| 100 | 1 1/2"-11.5 | 2"-11 | 64.0 | 26.0 | 30.5 | 36.0 | 70 | B | 1050517-24-32 |
| 100 | 2"-11.5 | 2"-11 | 64.0 | 26.0 | 30.5 | 46.0 | 70 | B | 1050517-32-32 |

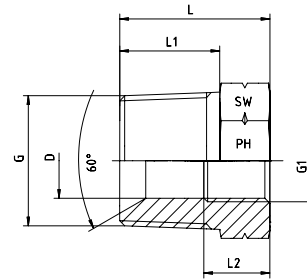
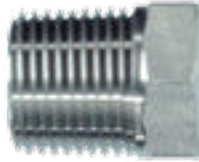
NPT male to NPT female reducing bush

BOOK INDEX

SECTION INDEX

**NPT 60° coned male to
NPT female reducing bush.**

Type - "Form A".



5

| Pressure PN | Thread | | Approx. Dimensions | | | | Form | Part code |
|----------------|-------------|-------------|--------------------|------|------|----|------|---------------|
| | G = NPT | G1 = NPT | L | L1 | D | SW | | |
| 630 | 3/8"-18 | 1/8"-27 | 23.0 | 15.3 | 8.5 | 19 | A | 1050525-06-02 |
| 630 | 1/2"-14 | 1/8"-27 | 27.0 | 20.0 | 8.5 | 24 | A | 1050525-08-02 |
| 630 | 1/2"-14 | 1/4"-18 | 27.0 | 20.0 | 11.0 | 24 | A | 1050525-08-04 |
| 630 | 3/4"-14 | 1/4"-18 | 28.0 | 20.0 | 11.0 | 27 | A | 1050525-12-04 |
| 630 | 3/4"-14 | 3/8"-18 | 28.0 | 20.0 | 14.0 | 27 | A | 1050525-12-06 |
| 400 | 1"-11.5 | 3/8"-18 | 34.0 | 25.0 | 14.0 | 36 | A | 1050525-16-06 |
| 400 | 1"-11.5 | 1/2"-14 | 34.0 | 25.0 | 17.7 | 36 | A | 1050525-16-08 |
| 400 | 1 1/4"-11.5 | 3/4"-14 | 39.5 | 25.5 | 23.0 | 46 | A | 1050525-20-12 |
| 400 | 1 1/2"-11.5 | 3/4"-14 | 40.0 | 26.0 | 22.5 | 50 | A | 1050525-24-12 |
| 400 | 1 1/2"-11.5 | 1"-11.5 | 40.0 | 26.0 | 28.5 | 50 | A | 1050525-24-16 |
| 315 | 2"-11.5 | 1"-11.5 | 40.0 | 26.0 | 28.5 | 65 | A | 1050525-32-16 |
| 315 | 2"-11.5 | 1 1/2"-11.5 | 40.0 | 26.0 | 43.2 | 65 | A | 1050525-32-24 |

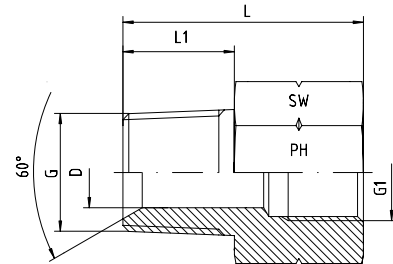
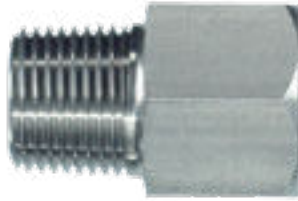
NPT male to NPT female reducing bush

BOOK INDEX

SECTION INDEX

NPT 60° coned male to NPT female reducing bush.

Type - "Form B".



5

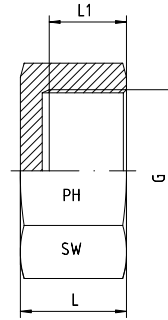
| Pressure PN | Thread | | Approx. Dimensions | | | | Form | Part code |
|----------------|-------------|-------------|--------------------|------|------|----|------|---------------|
| | G = NPT | G1 = NPT | L | L1 | D | SW | | |
| 630 | 1/8"-27 | 1/8"-27 | 25.0 | 10.0 | 4.0 | 14 | B | 1050525-02-02 |
| 630 | 1/8"-27 | 1/4"-18 | 31.0 | 10.0 | 4.0 | 19 | B | 1050525-02-04 |
| 630 | 1/4"-18 | 1/8"-27 | 30.0 | 15.0 | 6.0 | 14 | B | 1050525-04-02 |
| 630 | 1/4"-18 | 1/4"-18 | 36.0 | 15.0 | 6.0 | 19 | B | 1050525-04-04 |
| 630 | 1/4"-18 | 3/8"-18 | 37.0 | 15.0 | 6.0 | 24 | B | 1050525-04-06 |
| 630 | 1/4"-18 | 1/2"-14 | 42.0 | 15.0 | 6.0 | 27 | B | 1050525-04-08 |
| 630 | 3/8"-18 | 1/4"-18 | 36.0 | 15.0 | 9.0 | 19 | B | 1050525-06-04 |
| 630 | 3/8"-18 | 3/8"-18 | 37.0 | 15.0 | 9.0 | 24 | B | 1050525-06-06 |
| 630 | 3/8"-18 | 1/2"-14 | 41.0 | 15.0 | 9.0 | 27 | B | 1050525-06-08 |
| 630 | 1/2"-14 | 3/8"-18 | 39.5 | 20.0 | 12.0 | 24 | B | 1050525-08-06 |
| 630 | 1/2"-14 | 1/2"-14 | 46.0 | 20.0 | 12.0 | 27 | B | 1050525-08-08 |
| 630 | 1/2"-14 | 3/4"-14 | 48.0 | 20.0 | 12.0 | 36 | B | 1050525-08-12 |
| 630 | 3/4"-14 | 1/2"-14 | 42.0 | 20.0 | 15.0 | 27 | B | 1050525-12-08 |
| 630 | 3/4"-14 | 3/4"-14 | 48.0 | 20.0 | 18.0 | 36 | B | 1050525-12-12 |
| 400 | 3/4"-14 | 1"-11.5 | 50.0 | 20.0 | 18.0 | 36 | B | 1050525-12-16 |
| 400 | 1"-11.5 | 3/4"-14 | 34.0 | 25.0 | 22.6 | 36 | B | 1050525-16-12 |
| 400 | 1"-11.5 | 1"-11.5 | 57.0 | 25.0 | 21.0 | 41 | B | 1050525-16-16 |
| 400 | 1"-11.5 | 1 1/4"-11.5 | 57.0 | 25.0 | 21.0 | 50 | B | 1050525-16-20 |
| 400 | 1 1/4"-11.5 | 1"-11.5 | 54.0 | 25.5 | 28.5 | 46 | B | 1050525-20-16 |
| 400 | 1 1/4"-11.5 | 1 1/4"-11.5 | 55.0 | 25.5 | 30.0 | 50 | B | 1050525-20-20 |
| 400 | 1 1/4"-11.5 | 1 1/2"-11.5 | | | | | B | 1050525-20-24 |
| 400 | 1 1/2"-11.5 | 1 1/4"-11.5 | 55.0 | 26.0 | 36.0 | 50 | B | 1050525-24-20 |
| 400 | 1 1/2"-11.5 | 1 1/2"-11.5 | 63.0 | 26.0 | 36.0 | 55 | B | 1050525-24-24 |
| 315 | 1 1/2"-11.5 | 2"-11.5 | | | | | B | 1050525-24-32 |

BSP fixed female cap

BOOK INDEX

SECTION INDEX

**BSP parallel
fixed female cap**



5

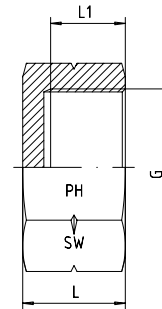
| Pressure PN | Thread G = BSP | Approx. Dimensions | | | Part code |
|----------------|-------------------|--------------------|------|----|------------|
| | | L | L1 | SW | |
| 400 | 1/8" -28 | 15.0 | 10.0 | 14 | 1050519-02 |
| 400 | 1/4" -19 | 18.0 | 12.5 | 17 | 1050519-04 |
| 400 | 3/8" -19 | 19.0 | 13.0 | 22 | 1050519-06 |
| 400 | 1/2" -14 | 21.0 | 14.5 | 27 | 1050519-08 |
| 400 | 5/8" -14 | 21.0 | 17.5 | 30 | 1050519-10 |
| 400 | 3/4" -14 | 24.5 | 18.5 | 32 | 1050519-12 |
| 400 | 1" -11 | 25.0 | 19.0 | 41 | 1050519-16 |
| 200 | 1 1/4" -11 | 29.0 | 22.0 | 50 | 1050519-20 |
| 200 | 1 1/2" -11 | 31.0 | 23.5 | 55 | 1050519-24 |
| 100 | 2" -11 | 32.0 | 24.5 | 70 | 1050519-32 |

NPT fixed female cap

BOOK INDEX

SECTION INDEX

NPT fixed female cap



5

| Pressure PN | Thread G = NPT | Approx. Dimensions | | | Part code |
|----------------|-------------------|--------------------|------|----|------------|
| | | L | L1 | SW | |
| 630 | 1/8"-27 | 15.5 | 10.0 | 14 | 1050520-02 |
| 630 | 1/4"-18 | 21.5 | 17.5 | 17 | 1050520-04 |
| 630 | 3/8"-18 | 22.0 | 17.5 | 22 | 1050520-06 |
| 630 | 1/2"-14 | 27.0 | 23.0 | 27 | 1050520-08 |
| 630 | 3/4"-14 | 27.0 | 23.0 | 32 | 1050520-12 |
| 400 | 1"-11.5 | 32.0 | 28.0 | 41 | 1050520-16 |
| 400 | 1 1/4"-11.5 | 36.0 | 29.0 | 50 | 1050520-20 |
| 400 | 1 1/2"-11.5 | 36.0 | 29.0 | 55 | 1050520-24 |
| 315 | 2"-11.5 | 36.0 | 29.0 | 70 | 1050520-32 |

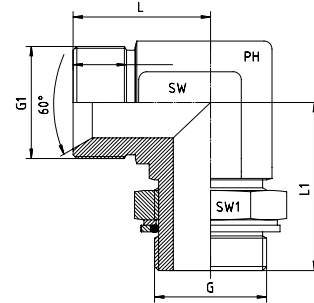
Pro BSPP male positionable male 90° elbow duct

BOOK INDEX

SECTION INDEX

BSP parallel 60° coned male-male 90° positionable elbow.

Seals via captive Viton O-ring and washer (supplied).

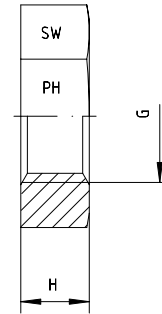


5

| Pressure PN | Thread | | Approx. Dimensions | | | | Part code G1 x G |
|----------------|----------|----------|--------------------|------|----|-----|---------------------|
| | G1 = BSP | G = BSP | L | L1 | SW | SW1 | |
| 400 | 1/4" -19 | 1/4" -19 | 27 | 31.5 | 14 | 19 | 1350501-04-04 |
| 400 | 3/8" -19 | 3/8" -19 | 29 | 37.0 | 19 | 22 | 1350501-06-06 |
| 400 | 3/8" -19 | 1/2" -14 | 32 | 43.0 | 22 | 27 | 1350501-06-08 |
| 400 | 1/2" -14 | 3/8" -19 | 34 | 40.0 | 22 | 22 | 1350501-08-06 |
| 400 | 1/2" -14 | 1/2" -14 | 34 | 43.0 | 22 | 27 | 1350501-08-08 |
| 400 | 3/4" -14 | 3/4" -14 | 41 | 50.0 | 27 | 36 | 1350501-12-12 |
| 400 | 1" -11 | 1" -11 | 46 | 53.0 | 33 | 41 | 1350501-16-16 |

BSP parallel locknut.

For use with bulkheads p. 5.37.

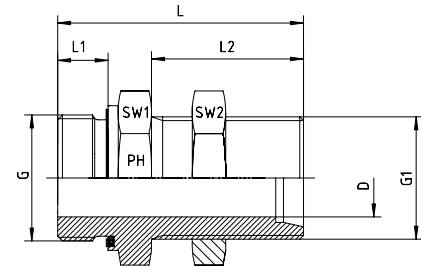


| Thread G | H | SW | Part code |
|-------------|----|----|------------|
| 1/8"-28 | 6 | 14 | 1050526-02 |
| 1/4"-19 | 6 | 19 | 1050526-04 |
| 3/8"-19 | 6 | 22 | 1050526-06 |
| 1/2"-14 | 6 | 27 | 1050526-08 |
| 5/8"-14 | 7 | 30 | 1050526-10 |
| 3/4"-14 | 7 | 32 | 1050526-12 |
| 1"-11 | 11 | 41 | 1050526-16 |
| 1 1/4"-11 | 11 | 50 | 1050526-20 |
| 1 1/2"-11 | 9 | 55 | 1050526-24 |
| 2"-11 | 9 | 70 | 1050526-32 |

BSP parallel 60° coned male with Viton integrated shoulder seal to DIN 2353 compression male.

ISO 8434-6 / BS 5200 - BSP end (short end)

ISO 8434-1 / DIN 2353 - metric end (long end)



| Pressure PN | Tube O.D. | Thread | | Approx. Dimensions | | | | | | Part code |
|-------------|-----------|-----------|-------------|--------------------|----|----|----|-----|-----|-----------------|
| | | G = BSP | G1 = Metric | L | L1 | L2 | D | SW1 | SW2 | |
| 500 | 6 | 1/4"-19 | M 12 x 1.5 | 53.0 | 12 | 34 | 4 | 19 | 17 | 1050509-04-06-L |
| 500 | 8 | 1/4"-19 | M 14 x 1.5 | 53.0 | 12 | 34 | 6 | 19 | 19 | 1050509-04-08-L |
| 500 | 10 | 1/4"-19 | M 16 x 1.5 | 57.0 | 12 | 35 | 7 | 19 | 22 | 1050509-04-10-L |
| 500 | 8 | 3/8"-19 | M 14 x 1.5 | 56.0 | 12 | 34 | 6 | 22 | 19 | 1050509-06-08-L |
| 500 | 10 | 3/8"-19 | M 16 x 1.5 | 55.5 | 12 | 35 | 8 | 22 | 22 | 1050509-06-10-L |
| 400 | 12 | 3/8"-19 | M 18 x 1.5 | 56.5 | 12 | 36 | 10 | 24 | 24 | 1050509-06-12-L |
| 630 | 12 | 3/8"-19 | M 20 x 1.5 | 62.0 | 12 | 38 | 8 | 27 | 27 | 1050509-06-12-S |
| 400 | 15 | 3/8"-19 | M 22 x 1.5 | 58.0 | 12 | 38 | 10 | 27 | 30 | 1050509-06-15-L |
| 500 | 10 | 1/2"-14 | M 16 x 1.5 | 58.0 | 14 | 35 | 8 | 27 | 22 | 1050509-08-10-L |
| 400 | 12 | 1/2"-14 | M 18 x 1.5 | 60.0 | 14 | 36 | 10 | 27 | 24 | 1050509-08-12-L |
| 630 | 12 | 1/2"-14 | M 20 x 1.5 | 63.0 | 14 | 38 | 8 | 27 | 27 | 1050509-08-12-S |
| 400 | 15 | 1/2"-14 | M 22 x 1.5 | 62.0 | 14 | 38 | 12 | 27 | 30 | 1050509-08-15-L |
| 630 | 16 | 1/2"-14 | M 24 x 1.5 | 64.0 | 14 | 39 | 12 | 27 | 32 | 1050509-08-16-S |
| 400 | 18 | 1/2"-14 | M 26 x 1.5 | 63.0 | 14 | 40 | 15 | 32 | 36 | 1050509-08-18-L |
| 400 | 15 | 3/4"-14 | M 22 x 1.5 | 64.0 | 16 | 38 | 12 | 32 | 30 | 1050509-12-15-L |
| 630 | 16 | 3/4"-14 | M 24 x 1.5 | 69.0 | 16 | 40 | 12 | 32 | 32 | 1050509-12-16-S |
| 400 | 18 | 3/4"-14 | M 26 x 1.5 | 66.0 | 16 | 40 | 15 | 32 | 36 | 1050509-12-18-L |
| 250 | 22 | 3/4"-14 | M 30 x 2 | 68.0 | 16 | 42 | 18 | 36 | 41 | 1050509-12-22-L |
| 400 | 18 | 1"-11 | M 26 x 1.5 | 69.0 | 18 | 40 | 15 | 41 | 36 | 1050509-16-18-L |
| 420 | 20 | 1"-11 | M 30 x 2 | 73.0 | 18 | 44 | 16 | 41 | 41 | 1050509-16-20-S |
| 250 | 22 | 1"-11 | M 30 x 2 | 73.0 | 18 | 42 | 19 | 41 | 41 | 1050509-16-22-L |
| 420 | 25 | 1"-11 | M 36 x 2 | 81.5 | 18 | 47 | 19 | 46 | 46 | 1050509-16-25-S |
| 250 | 28 | 1"-11 | M 36 x 2 | 72.0 | 18 | 43 | 24 | 41 | 46 | 1050509-16-28-L |
| 420 | 30 | 1 1/4"-11 | M 42 x 2 | 88.0 | 20 | 51 | 25 | 50 | 50 | 1050509-20-30-S |
| 250 | 42 | 1 1/2"-11 | M 52 x 2 | 86.0 | 22 | 47 | 36 | 60 | 65 | 1050509-24-42-L |