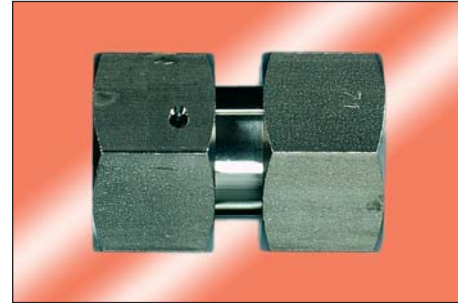
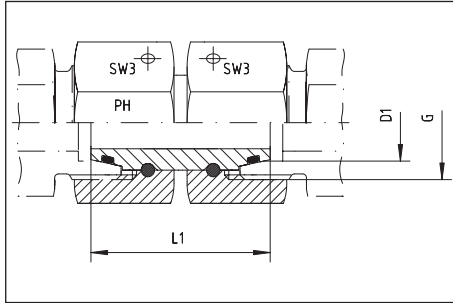


DICHTKEGEL-VERSCHRAUBUNGEN MIT 24°-KEGEL UND O-RING - VITON - DIN EN ISO 8434-4 CONE SEALING COUPLINGS WITH 24°-CONE AND O-RING - VITON - DIN EN ISO 8434-4

| | | |
|--|---|------|
| GERADE VERSCHRAUBUNGEN - GV - DKO - DKO | SWIVEL UNIONS - GV - DKO - DKO | 9.3 |
| GERADE REDUZIERUNGEN - GVR - DKO - DKO | STRAIGHT REDUCERS - GVR - DKO - DKO | 9.4 |
| GERADE REDUZIERUNGEN - GVR - DKO - DKO | STRAIGHT REDUCERS - GVR - DKO - DKO | 9.5 |
| EW - VERSCHRAUBUNGEN | ADJUSTABLE STUD ELBOWS | 9.6 |
| EW - VERSCHRAUBUNGEN | ADJUSTABLE STUD ELBOWS | 9.7 |
| EW - VERSCHRAUBUNGEN | ADJUSTABLE STUD ELBOWS | 9.8 |
| ET - VERSCHRAUBUNGEN | ADJUSTABLE STUD BRANCH TEES | 9.9 |
| ET - VERSCHRAUBUNGEN | ADJUSTABLE STUD BRANCH TEES | 9.10 |
| ET - VERSCHRAUBUNGEN | ADJUSTABLE STUD BRANCH TEES | 9.11 |
| EL - VERSCHRAUBUNGEN | ADJUSTABLE STUD BARREL TEES | 9.12 |
| EL - VERSCHRAUBUNGEN | ADJUSTABLE STUD BARREL TEES | 9.13 |
| EL - VERSCHRAUBUNGEN | ADJUSTABLE STUD BARREL TEES | 9.14 |
| REDUZIER-VERSCHRAUBUNGEN - RED - DKO | REDUCING COUPLINGS - RED - DKO | 9.15 |
| REDUZIER-VERSCHRAUBUNGEN - RED - DKO | REDUCING COUPLINGS - RED - DKO | 9.16 |
| GERADE EINSCHRAUBSTUTZEN - EGE - METRISCH - ZYLINDRISCH | EGE - SWIVEL CONNECTORS - METRIC - PARALLEL | 9.17 |
| GERADE EINSCHRAUBSTUTZEN - EGE - WHITWORTH - ZYLINDRISCH | EGE - SWIVEL CONNECTORS - BSP - PARALLEL | 9.18 |
| GERADE EINSCHRAUBSTUTZEN - EGE - NPT | EGE - SWIVEL-CONNECTORS - NPT | 9.19 |
| MANOMETER-VERSCHRAUBUNGEN | GAUGE SWIVEL CONNECTORS | 9.20 |

mit Dichtkegel und O-Ring - Viton
passend in Bohrungsform W DIN 3861

with taper and O-ring - Viton
for type of port end W DIN 3861



| Reihe Series | Druck Pressure PN | Rohr A.D. Tube O.D. D1 | Gewinde Thread G | ca. Maße approx. dimensions | | Bestellzeichen Order-Code |
|-----------------|-------------------------|------------------------------|------------------------|--------------------------------|-----|------------------------------|
| | | | | L1 | SW3 | |
| L | 315 | 6 | M 12 x 1,5 | 38,0 | 14 | GV-DKOL-06 |
| L | 315 | 8 | M 14 x 1,5 | 39,5 | 17 | GV-DKOL-08 |
| L | 315 | 10 | M 16 x 1,5 | 39,5 | 19 | GV-DKOL-10 |
| L | 315 | 12 | M 18 x 1,5 | 39,5 | 22 | GV-DKOL-12 |
| L | 315 | 15 | M 22 x 1,5 | 42,5 | 27 | GV-DKOL-15 |
| L | 315 | 18 | M 26 x 1,5 | 43,0 | 32 | GV-DKOL-18 |
| L | 160 | 22 | M 30 x 2 | 47,7 | 36 | GV-DKOL-22 |
| L | 160 | 28 | M 36 x 2 | 49,7 | 41 | GV-DKOL-28 |
| L | 160 | 35 | M 45 x 2 | 57,0 | 50 | GV-DKOL-35 |
| L | 160 | 42 | M 52 x 2 | 57,5 | 60 | GV-DKOL-42 |
| | | | | | | |
| S | 630 | 6 | M 14 x 1,5 | 39,5 | 17 | GV-DKOS-06 |
| S | 630 | 8 | M 16 x 1,5 | 39,7 | 19 | GV-DKOS-08 |
| S | 630 | 10 | M 18 x 1,5 | 41,7 | 22 | GV-DKOS-10 |
| S | 630 | 12 | M 20 x 1,5 | 42,2 | 24 | GV-DKOS-12 |
| S | 630 | 14 | M 22 x 1,5 | 45,7 | 27 | GV-DKOS-14 |
| S | 400 | 16 | M 24 x 1,5 | 45,2 | 30 | GV-DKOS-16 |
| S | 400 | 20 | M 30 x 2 | 56,5 | 36 | GV-DKOS-20 |
| S | 400 | 25 | M 36 x 2 | 60,5 | 46 | GV-DKOS-25 |
| S | 400 | 30 | M 42 x 2 | 62,5 | 50 | GV-DKOS-30 |
| S | 315 | 38 | M 52 x 2 | 68,0 | 60 | GV-DKOS-38 |

GERADE REDUZIERUNGEN



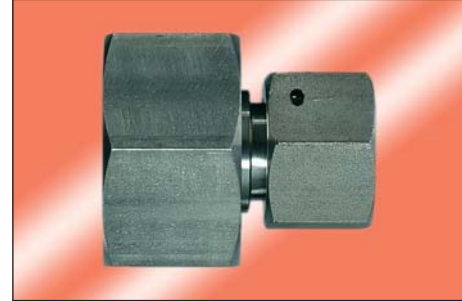
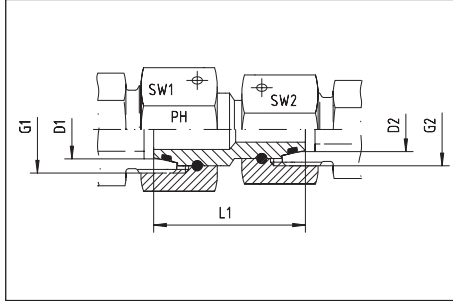
STRAIGHT REDUCERS

beide Seiten mit drehbarer Mutter - DKO

mit Dichtkegel und O-Ring - Viton
passend in Bohrungsform W DIN 3861

both sides with swivel nut - DKO

with taper and O-ring - Viton
for type of port end W DIN 3861



| Reihe Series | Druck Pressure PN | Rohr A.D. Tube O.D. | | Gewinde Thread | | ca. Maße approx. dimensions | | | Bestellzeichen Order-Code |
|-----------------|-------------------------|------------------------|----|-------------------|------------|--------------------------------|-----|-----|------------------------------|
| | | D1 | D2 | G1 | G2 | L1 | SW1 | SW2 | |
| L | 315 | 8 | 6 | M 14 x 1,5 | M 12 x 1,5 | 36,0 | 17 | 14 | GVR-DKO-08-L/06-L |
| L | 315 | 10 | 6 | M 16 x 1,5 | M 12 x 1,5 | | 19 | 14 | GVR-DKO-10-L/06-L |
| L | 315 | 10 | 8 | M 16 x 1,5 | M 14 x 1,5 | 33,0 | 19 | 17 | GVR-DKO-10-L/08-L |
| L | 315 | 12 | 6 | M 18 x 1,5 | M 12 x 1,5 | | 22 | 14 | GVR-DKO-12-L/06-L |
| L | 315 | 12 | 8 | M 18 x 1,5 | M 14 x 1,5 | 37,5 | 22 | 17 | GVR-DKO-12-L/08-L |
| L | 315 | 12 | 10 | M 18 x 1,5 | M 16 x 1,5 | 36,5 | 22 | 19 | GVR-DKO-12-L/10-L |
| L | 315 | 15 | 8 | M 22 x 1,5 | M 14 x 1,5 | | 27 | 17 | GVR-DKO-15-L/08-L |
| L | 315 | 15 | 10 | M 22 x 1,5 | M 16 x 1,5 | | 27 | 19 | GVR-DKO-15-L/10-L |
| L | 315 | 15 | 12 | M 22 x 1,5 | M 18 x 1,5 | 42,0 | 27 | 22 | GVR-DKO-15-L/12-L |
| L | 315 | 18 | 10 | M 26 x 1,5 | M 16 x 1,5 | | 32 | 19 | GVR-DKO-18-L/10-L |
| L | 315 | 18 | 12 | M 26 x 1,5 | M 18 x 1,5 | 44,0 | 32 | 22 | GVR-DKO-18-L/12-L |
| L | 315 | 18 | 15 | M 26 x 1,5 | M 22 x 1,5 | 43,0 | 32 | 27 | GVR-DKO-18-L/15-L |
| L | 160 | 22 | 12 | M 30 x 2 | M 18 x 1,5 | | 36 | 22 | GVR-DKO-22-L/12-L |
| L | 160 | 22 | 15 | M 30 x 2 | M 22 x 1,5 | | 36 | 27 | GVR-DKO-22-L/15-L |
| L | 160 | 22 | 18 | M 30 x 2 | M 26 x 1,5 | | 36 | 32 | GVR-DKO-22-L/18-L |
| L | 160 | 28 | 15 | M 36 x 2 | M 22 x 1,5 | | 41 | 27 | GVR-DKO-28-L/15-L |
| L | 160 | 28 | 18 | M 36 x 2 | M 26 x 1,5 | | 41 | 32 | GVR-DKO-28-L/18-L |
| L | 160 | 28 | 22 | M 36 x 2 | M 30 x 2 | | 41 | 36 | GVR-DKO-28-L/22-L |
| L | 160 | 35 | 18 | M 45 x 2 | M 26 x 1,5 | | 50 | 32 | GVR-DKO-35-L/18-L |
| L | 160 | 35 | 22 | M 45 x 2 | M 30 x 2 | | 50 | 36 | GVR-DKO-35-L/22-L |
| L | 160 | 35 | 28 | M 45 x 2 | M 36 x 2 | 46,5 | 50 | 41 | GVR-DKO-35-L/28-L |
| L | 160 | 42 | 22 | M 52 x 2 | M 30 x 2 | 47,0 | 60 | 36 | GVR-DKO-42-L/22-L |
| L | 160 | 42 | 28 | M 52 x 2 | M 36 x 2 | 47,5 | 60 | 41 | GVR-DKO-42-L/28-L |
| L | 160 | 42 | 35 | M 52 x 2 | M 45 x 2 | 52,0 | 60 | 50 | GVR-DKO-42-L/35-L |
| | | | | | | | | | |
| S | 630 | 8 | 6 | M 16 x 1,5 | M 14 x 1,5 | 35,5 | 19 | 17 | GVR-DKO-08-S/06-S |
| S | 630 | 10 | 6 | M 18 x 1,5 | M 14 x 1,5 | 35,5 | 22 | 17 | GVR-DKO-10-S/06-S |
| S | 630 | 10 | 8 | M 18 x 1,5 | M 16 x 1,5 | 37,0 | 22 | 19 | GVR-DKO-10-S/08-S |
| S | 630 | 12 | 6 | M 20 x 1,5 | M 14 x 1,5 | 36,0 | 24 | 17 | GVR-DKO-12-S/06-S |
| S | 630 | 12 | 8 | M 20 x 1,5 | M 16 x 1,5 | 37,5 | 24 | 19 | GVR-DKO-12-S/08-S |
| S | 630 | 12 | 10 | M 20 x 1,5 | M 18 x 1,5 | 37,5 | 24 | 22 | GVR-DKO-12-S/10-S |
| S | 400 | 16 | 10 | M 24 x 1,5 | M 18 x 1,5 | 37,5 | 30 | 22 | GVR-DKO-16-S/10-S |
| S | 400 | 16 | 12 | M 24 x 1,5 | M 20 x 1,5 | 38,0 | 30 | 24 | GVR-DKO-16-S/12-S |
| S | 400 | 16 | 14 | M 24 x 1,5 | M 22 x 1,5 | 47,0 | 30 | 27 | GVR-DKO-16-S/14-S |
| S | 400 | 20 | 12 | M 30 x 2 | M 20 x 1,5 | 43,0 | 36 | 24 | GVR-DKO-20-S/12-S |
| S | 400 | 20 | 16 | M 30 x 2 | M 24 x 1,5 | 43,0 | 36 | 30 | GVR-DKO-20-S/16-S |
| S | 400 | 25 | 16 | M 36 x 2 | M 24 x 1,5 | 46,0 | 46 | 30 | GVR-DKO-25-S/16-S |
| S | 400 | 25 | 20 | M 36 x 2 | M 30 x 2 | 52,0 | 46 | 36 | GVR-DKO-25-S/20-S |
| S | 400 | 30 | 16 | M 42 x 2 | M 24 x 1,5 | 46,0 | 50 | 30 | GVR-DKO-30-S/16-S |
| S | 400 | 30 | 20 | M 42 x 2 | M 30 x 2 | 52,0 | 50 | 36 | GVR-DKO-30-S/20-S |
| S | 400 | 30 | 25 | M 42 x 2 | M 36 x 2 | 52,0 | 50 | 46 | GVR-DKO-30-S/25-S |
| S | 315 | 38 | 20 | M 52 x 2 | M 30 x 2 | 52,0 | 60 | 36 | GVR-DKO-38-S/20-S |
| S | 315 | 38 | 25 | M 52 x 2 | M 36 x 2 | 53,0 | 60 | 46 | GVR-DKO-38-S/25-S |
| S | 315 | 38 | 30 | M 52 x 2 | M 42 x 2 | | 60 | 50 | GVR-DKO-38-S/30-S |

GERADE REDUZIERUNGEN



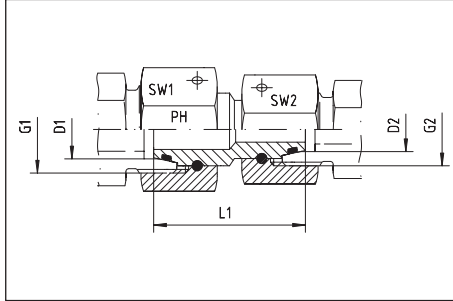
STRAIGHT REDUCERS

beide Seiten mit drehbarer Mutter - DKO

mit Dichtkegel und O-Ring - Viton
passend in Bohrungsform W DIN 3861

both sides with swivel nut - DKO

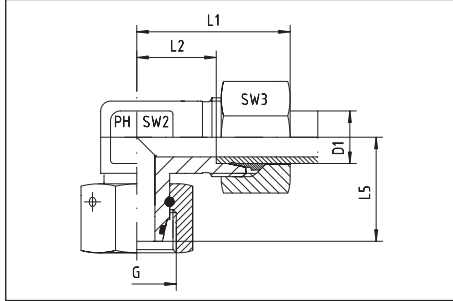
with taper and O-ring - Viton
for type of port end W DIN 3861



| Reihe Series | Druck Pressure PN | Rohr A.D. Tube O.D. | | Gewinde Thread | | ca. Maße approx. dimensions | | | Bestellzeichen Order-Code |
|-----------------|-------------------------|------------------------|----|-------------------|------------|--------------------------------|-----|-----|------------------------------|
| | | D1 | D2 | G1 | G2 | L1 | SW1 | SW2 | |
| L / S | 315 | 6 | 6 | M 14 x 1,5 | M 12 x 1,5 | | 17 | 14 | GVR-DKO-06-L/06-S |
| L / S | 315 | 8 | 8 | M 16 x 1,5 | M 14 x 1,5 | | 19 | 17 | GVR-DKO-08-L/08-S |
| L / S | 315 | 8 | 6 | M 14 x 1,5 | M 14 x 1,5 | | 17 | 17 | GVR-DKO-08-L/06-S |
| L / S | 315 | 10 | 10 | M 18 x 1,5 | M 16 x 1,5 | | 22 | 19 | GVR-DKO-10-L/10-S |
| L / S | 315 | 12 | 10 | M 18 x 1,5 | M 18 x 1,5 | 37,5 | 22 | 22 | GVR-DKO-12-L/10-S |
| L / S | 315 | 12 | 12 | M 20 x 1,5 | M 18 x 1,5 | | 24 | 22 | GVR-DKO-12-L/12-S |
| L / S | 315 | 15 | 12 | M 22 x 1,5 | M 20 x 1,5 | | 27 | 24 | GVR-DKO-15-L/12-S |
| L / S | 315 | 15 | 14 | M 22 x 1,5 | M 22 x 1,5 | 44,5 | 27 | 27 | GVR-DKO-15-L/14-S |
| L / S | 315 | 18 | 16 | M 26 x 1,5 | M 24 x 1,5 | | 32 | 30 | GVR-DKO-18-L/16-S |
| L / S | 160 | 22 | 20 | M 30 x 2 | M 30 x 2 | 53,0 | 36 | 36 | GVR-DKO-22-L/20-S |
| L / S | 160 | 28 | 25 | M 36 x 2 | M 36 x 2 | | 46 | 41 | GVR-DKO-28-L/25-S |
| L / S | 160 | 35 | 30 | M 45 x 2 | M 42 x 2 | | 50 | 50 | GVR-DKO-35-L/30-S |
| L / S | 160 | 42 | 38 | M 52 x 2 | M 52 x 2 | | 60 | 60 | GVR-DKO-42-L/38-S |
| | | | | | | | | | |
| S / L | 315 | 10 | 08 | M 18 x 1,5 | M 14 x 1,5 | 33,0 | 22 | 17 | GVR-DKO-10-S/08-L |
| S / L | 315 | 12 | 08 | M 20 x 1,5 | M 14 x 1,5 | 37,5 | 24 | 17 | GVR-DKO-12-S/08-L |
| S / L | 315 | 12 | 10 | M 20 x 1,5 | M 16 x 1,5 | 36,0 | 24 | 19 | GVR-DKO-12-S/10-L |
| S / L | 315 | 16 | 10 | M 24 x 1,5 | M 16 x 1,5 | | 30 | 19 | GVR-DKO-16-S/10-L |
| S / L | 315 | 16 | 12 | M 24 x 1,5 | M 18 x 1,5 | | 30 | 22 | GVR-DKO-16-S/12-L |
| S / L | 315 | 16 | 15 | M 24 x 1,5 | M 22 x 1,5 | 38,5 | 30 | 27 | GVR-DKO-16-S/15-L |
| S / L | 315 | 20 | 18 | M 30 x 2 | M 26 x 1,5 | 43,0 | 36 | 32 | GVR-DKO-20-S/18-L |
| S / L | 160 | 25 | 22 | M 36 x 2 | M 30 x 2 | 46,0 | 46 | 36 | GVR-DKO-25-S/22-L |
| S / L | 160 | 30 | 28 | M 42 x 2 | M 36 x 2 | 49,5 | 50 | 41 | GVR-DKO-30-S/28-L |
| S / L | 160 | 38 | 35 | M 52 x 2 | M 45 x 2 | 53,0 | 60 | 50 | GVR-DKO-38-S/35-L |

Einstellbare Winkel-Verschraubungen
mit Dichtkegel und O-Ring - Viton
rohrseitig Schneidringanschluss

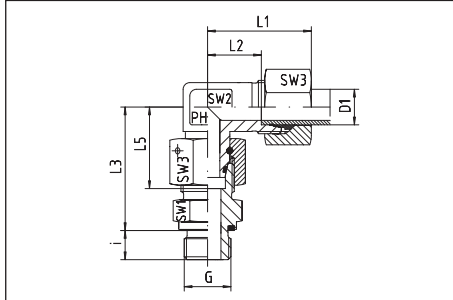
with taper and O-ring - Viton
cutting ring connection at the tube connection side



| Reihe Series | Druck Pressure PN | Rohr A.D. Tube O.D. D1 | Gewinde Thread G | ca. Maße approx. dimensions | | | | | Bestellzeichen Order-Code |
|-----------------|-------------------------|------------------------------|------------------------|--------------------------------|------|------|-----|-----|------------------------------|
| | | | | L1 | L2 | L5 | SW2 | SW3 | |
| L | 315 | 6 | M 12 x 1,5 | 27 | 12,0 | 26,0 | 12 | 14 | EW-DKOL-06 |
| L | 315 | 8 | M 14 x 1,5 | 29 | 14,0 | 27,5 | 12 | 17 | EW-DKOL-08 |
| L | 315 | 10 | M 16 x 1,5 | 30 | 15,0 | 29,0 | 14 | 19 | EW-DKOL-10 |
| L | 315 | 12 | M 18 x 1,5 | 32 | 17,0 | 29,5 | 17 | 22 | EW-DKOL-12 |
| L | 315 | 15 | M 22 x 1,5 | 36 | 21,0 | 32,5 | 19 | 27 | EW-DKOL-15 |
| L | 315 | 18 | M 26 x 1,5 | 40 | 23,5 | 35,5 | 24 | 32 | EW-DKOL-18 |
| L | 160 | 22 | M 30 x 2 | 44 | 27,5 | 38,5 | 27 | 36 | EW-DKOL-22 |
| L | 160 | 28 | M 36 x 2 | 47 | 30,5 | 41,5 | 36 | 41 | EW-DKOL-28 |
| L | 160 | 35 | M 45 x 2 | 56 | 34,5 | 51,0 | 41 | 50 | EW-DKOL-35 |
| L | 160 | 42 | M 52 x 2 | 63 | 40,0 | 56,0 | 50 | 60 | EW-DKOL-42 |
| | | | | | | | | | |
| S | 630 | 6 | M 14 x 1,5 | 31 | 16,0 | 27,0 | 12 | 17 | EW-DKOS-06 |
| S | 630 | 8 | M 16 x 1,5 | 32 | 17,0 | 27,5 | 14 | 19 | EW-DKOS-08 |
| S | 630 | 10 | M 18 x 1,5 | 34 | 17,5 | 30,0 | 17 | 22 | EW-DKOS-10 |
| S | 630 | 12 | M 20 x 1,5 | 38 | 21,5 | 31,0 | 17 | 24 | EW-DKOS-12 |
| S | 630 | 14 | M 22 x 1,5 | 40 | 22,0 | 35,0 | 19 | 27 | EW-DKOS-14 |
| S | 400 | 16 | M 24 x 1,5 | 43 | 24,5 | 36,5 | 24 | 30 | EW-DKOS-16 |
| S | 400 | 20 | M 30 x 2 | 48 | 26,5 | 44,5 | 27 | 36 | EW-DKOS-20 |
| S | 400 | 25 | M 36 x 2 | 54 | 30,0 | 50,0 | 36 | 46 | EW-DKOS-25 |
| S | 400 | 30 | M 42 x 2 | 62 | 35,5 | 55,0 | 41 | 50 | EW-DKOS-30 |
| S | 315 | 38 | M 52 x 2 | 72 | 41,0 | 63,0 | 50 | 60 | EW-DKOS-38 |

Einstellbare Winkel-Verschraubungen
 mit Dichtkegel und O-Ring - Viton
 rohrrseitig Schneidringanschluss
 Einschraubgewinde: metrisches Feingewinde - zylindrisch
 wd = Abdichtung durch Profildichtung - Viton

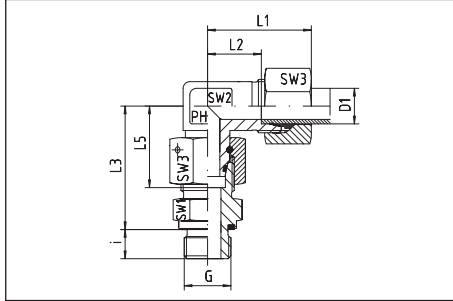
with taper and O-ring - Viton
 cutting ring connection at the tube connection side
 Thread: metric - parallel
 wd = Sealing by an elastomer profiled ring - Viton



| Reihe Series | Druck Pressure PN | Rohr A.D. Tube O.D. D1 | Gewinde Thread G | ca. Maße approx. dimensions | | | | | | | | Bestellzeichen Order-Code |
|--------------|-------------------|------------------------|------------------|-----------------------------|------|------|------|----|-----|-----|-----|---------------------------|
| | | | | L1 | L2 | L3 | L5 | i | SW1 | SW2 | SW3 | |
| L | 315 | 6 | M 10 x 1 | 27 | 12,0 | 34,5 | 26,0 | 8 | 14 | 12 | 14 | EW-DKOL-06-M 10x1-wd |
| L | 315 | 8 | M 12 x 1,5 | 29 | 14,0 | 37,5 | 27,5 | 12 | 17 | 12 | 17 | EW-DKOL-08-M 12x1,5-wd |
| L | 315 | 10 | M 14 x 1,5 | 30 | 15,0 | 40,0 | 29,0 | 12 | 19 | 14 | 19 | EW-DKOL-10-M 14x1,5-wd |
| L | 315 | 12 | M 16 x 1,5 | 32 | 17,0 | 42,0 | 29,5 | 12 | 22 | 17 | 22 | EW-DKOL-12-M 16x1,5-wd |
| L | 315 | 15 | M 18 x 1,5 | 36 | 21,0 | 46,0 | 32,5 | 12 | 24 | 19 | 27 | EW-DKOL-15-M 18x1,5-wd |
| L | 315 | 18 | M 22 x 1,5 | 40 | 23,5 | 50,0 | 35,5 | 14 | 27 | 24 | 32 | EW-DKOL-18-M 22x1,5-wd |
| L | 160 | 22 | M 26 x 1,5 | 44 | 27,5 | 55,0 | 38,5 | 16 | 32 | 27 | 36 | EW-DKOL-22-M 26x1,5-wd |
| L | 160 | 28 | M 33 x 2 | 47 | 30,5 | 59,0 | 41,5 | 18 | 41 | 36 | 41 | EW-DKOL-28-M 33x2-wd |
| L | 160 | 35 | M 42 x 2 | 56 | 34,5 | 68,5 | 51,0 | 20 | 50 | 41 | 50 | EW-DKOL-35-M 42x2-wd |
| L | 160 | 42 | M 48 x 2 | 63 | 40,0 | 75,0 | 56,0 | 22 | 55 | 50 | 60 | EW-DKOL-42-M 48x2-wd |
| | | | | | | | | | | | | |
| S | 630 | 6 | M 12 x 1,5 | 31 | 16,0 | 40,0 | 27,0 | 12 | 17 | 12 | 17 | EW-DKOS-06-M 12x1,5-wd |
| S | 630 | 8 | M 14 x 1,5 | 32 | 17,0 | 42,5 | 27,5 | 12 | 19 | 14 | 19 | EW-DKOS-08-M 14x1,5-wd |
| S | 630 | 10 | M 16 x 1,5 | 34 | 17,5 | 45,0 | 30,0 | 12 | 22 | 17 | 22 | EW-DKOS-10-M 16x1,5-wd |
| S | 630 | 12 | M 18 x 1,5 | 38 | 21,5 | 48,0 | 31,0 | 12 | 24 | 17 | 24 | EW-DKOS-12-M 18x1,5-wd |
| S | 630 | 14 | M 20 x 1,5 | 40 | 22,0 | 54,0 | 35,0 | 14 | 27 | 19 | 27 | EW-DKOS-14-M 20x1,5-wd |
| S | 400 | 16 | M 22 x 1,5 | 43 | 24,5 | 55,0 | 36,5 | 14 | 27 | 24 | 30 | EW-DKOS-16-M 22x1,5-wd |
| S | 400 | 20 | M 27 x 2 | 48 | 26,5 | 65,0 | 44,5 | 16 | 32 | 27 | 36 | EW-DKOS-20-M 27x2-wd |
| S | 400 | 25 | M 33 x 2 | 54 | 30,0 | 73,0 | 50,0 | 18 | 41 | 36 | 46 | EW-DKOS-25-M 33x2-wd |
| S | 400 | 30 | M 42 x 2 | 62 | 35,5 | 78,5 | 55,0 | 20 | 50 | 41 | 50 | EW-DKOS-30-M 42x2-wd |
| S | 315 | 38 | M 48 x 2 | 72 | 41,0 | 89,0 | 63,0 | 22 | 55 | 50 | 60 | EW-DKOS-38-M 48x2-wd |

Einstellbare Winkel-Verschraubungen
 mit Dichtkegel und O-Ring - Viton
 rohrrseitig Schneidringanschluss
 Einschraubgewinde: Whitworth-Rohrgewinde - zylindrisch
 wd = Abdichtung durch Profildichtung - Viton

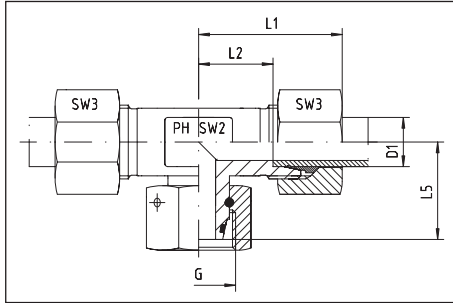
with taper and O-ring - Viton
 cutting ring connection at the tube connection side
 Thread: BSP - parallel
 wd = Sealing by an elastomer profiled ring - Viton



| Reihe Series | Druck Pressure PN | Rohr A.D. Tube O.D. D1 | Gewinde Thread G | ca. Maße approx. dimensions | | | | | | | | Bestellzeichen Order-Code |
|--------------|-------------------|------------------------|------------------|-----------------------------|------|------|------|----|-----|-----|-----|---------------------------|
| | | | | L1 | L2 | L3 | L5 | i | SW1 | SW2 | SW3 | |
| L | 315 | 6 | G 1/8" | 27 | 12,0 | 34,5 | 26,0 | 8 | 14 | 12 | 14 | EW-DKOL-06-G 1/8"-wd |
| L | 315 | 8 | G 1/4" | 29 | 14,0 | 37,5 | 27,5 | 12 | 17 | 12 | 17 | EW-DKOL-08-G 1/4"-wd |
| L | 315 | 10 | G 1/4" | 30 | 15,0 | 40,0 | 29,0 | 12 | 19 | 14 | 19 | EW-DKOL-10-G 1/4"-wd |
| L | 315 | 12 | G 1/4" | 32 | 17,0 | 42,0 | 29,5 | 12 | 19 | 17 | 22 | EW-DKOL-12-G 1/4"-wd |
| L | 315 | 12 | G 3/8" | 32 | 17,0 | 42,0 | 29,5 | 12 | 22 | 17 | 22 | EW-DKOL-12-G 3/8"-wd |
| L | 315 | 12 | G 1/2" | 32 | 17,0 | 43,0 | 29,5 | 14 | 27 | 17 | 22 | EW-DKOL-12-G 1/2"-wd |
| L | 315 | 15 | G 1/2" | 36 | 21,0 | 46,0 | 32,5 | 14 | 27 | 19 | 27 | EW-DKOL-15-G 1/2"-wd |
| L | 315 | 18 | G 1/2" | 40 | 23,5 | 50,0 | 35,5 | 14 | 27 | 24 | 32 | EW-DKOL-18-G 1/2"-wd |
| L | 160 | 22 | G 3/4" | 44 | 27,5 | 55,0 | 38,5 | 16 | 32 | 27 | 36 | EW-DKOL-22-G 3/4"-wd |
| L | 160 | 28 | G 1" | 47 | 30,5 | 59,0 | 41,5 | 18 | 41 | 36 | 41 | EW-DKOL-28-G 1"-wd |
| L | 160 | 35 | G 1 1/4" | 56 | 34,5 | 68,5 | 51,0 | 20 | 50 | 41 | 50 | EW-DKOL-35-G 1 1/4"-wd |
| L | 160 | 42 | G 1 1/2" | 63 | 40,0 | 75,0 | 56,0 | 22 | 55 | 50 | 60 | EW-DKOL-42-G 1 1/2"-wd |
| | | | | | | | | | | | | |
| S | 630 | 6 | G 1/4" | 31 | 16,0 | 40,0 | 27,0 | 12 | 19 | 12 | 17 | EW-DKOS-06-G 1/4"-wd |
| S | 630 | 8 | G 1/4" | 32 | 17,0 | 42,5 | 27,5 | 12 | 19 | 14 | 19 | EW-DKOS-08-G 1/4"-wd |
| S | 630 | 10 | G 3/8" | 34 | 17,5 | 45,0 | 30,0 | 12 | 22 | 17 | 22 | EW-DKOS-10-G 3/8"-wd |
| S | 630 | 12 | G 3/8" | 38 | 21,5 | 48,0 | 31,0 | 12 | 22 | 17 | 24 | EW-DKOS-12-G 3/8"-wd |
| S | 630 | 12 | G 1/2" | 38 | 21,5 | 49,0 | 31,0 | 14 | 27 | 17 | 24 | EW-DKOS-12-G 1/2"-wd |
| S | 630 | 14 | G 1/2" | 40 | 22,0 | 54,0 | 35,0 | 14 | 27 | 19 | 27 | EW-DKOS-14-G 1/2"-wd |
| S | 400 | 16 | G 1/2" | 43 | 24,5 | 55,0 | 36,5 | 14 | 27 | 24 | 30 | EW-DKOS-16-G 1/2"-wd |
| S | 400 | 20 | G 3/4" | 48 | 26,5 | 65,0 | 44,5 | 16 | 32 | 27 | 36 | EW-DKOS-20-G 3/4"-wd |
| S | 400 | 25 | G 1" | 54 | 30,0 | 73,0 | 50,0 | 18 | 41 | 36 | 46 | EW-DKOS-25-G 1"-wd |
| S | 400 | 30 | G 1 1/4" | 62 | 35,5 | 78,5 | 55,0 | 20 | 50 | 41 | 50 | EW-DKOS-30-G 1 1/4"-wd |
| S | 315 | 38 | G 1 1/2" | 72 | 41,0 | 89,0 | 63,0 | 22 | 55 | 50 | 60 | EW-DKOS-38-G 1 1/2"-wd |

Einstellbare T-Verschraubungen
mit Dichtkegel und O-Ring - Viton
rohrseitig Schneidringanschluss

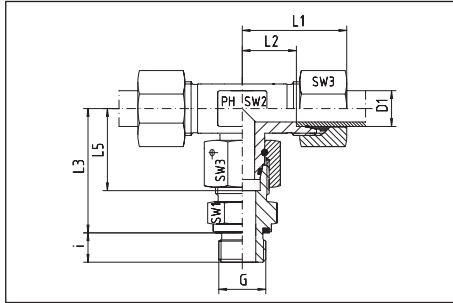
with taper and O-ring - Viton
cutting ring connection at the tube connection side



| Reihe Series | Druck Pressure PN | Rohr A.D. Tube O.D. D1 | Gewinde Thread G | ca. Maße approx. dimensions | | | | | Bestellzeichen Order-Code |
|-----------------|-------------------------|------------------------------|------------------------|--------------------------------|------|------|-----|-----|------------------------------|
| | | | | L1 | L2 | L5 | SW2 | SW3 | |
| L | 315 | 6 | M 12 x 1,5 | 27 | 12,0 | 26,0 | 12 | 14 | ET-DKOL-06 |
| L | 315 | 8 | M 14 x 1,5 | 29 | 14,0 | 27,5 | 12 | 17 | ET-DKOL-08 |
| L | 315 | 10 | M 16 x 1,5 | 30 | 15,0 | 29,0 | 14 | 19 | ET-DKOL-10 |
| L | 315 | 12 | M 18 x 1,5 | 32 | 17,0 | 29,5 | 17 | 22 | ET-DKOL-12 |
| L | 315 | 15 | M 22 x 1,5 | 36 | 21,0 | 32,5 | 19 | 27 | ET-DKOL-15 |
| L | 315 | 18 | M 26 x 1,5 | 40 | 23,5 | 35,5 | 24 | 32 | ET-DKOL-18 |
| L | 160 | 22 | M 30 x 2 | 44 | 27,5 | 38,5 | 27 | 36 | ET-DKOL-22 |
| L | 160 | 28 | M 36 x 2 | 47 | 30,5 | 41,5 | 36 | 41 | ET-DKOL-28 |
| L | 160 | 35 | M 45 x 2 | 56 | 34,5 | 51,0 | 41 | 50 | ET-DKOL-35 |
| L | 160 | 42 | M 52 x 2 | 63 | 40,0 | 56,0 | 50 | 60 | ET-DKOL-42 |
| | | | | | | | | | |
| S | 630 | 6 | M 14 x 1,5 | 31 | 16,0 | 27,0 | 12 | 17 | ET-DKOS-06 |
| S | 630 | 8 | M 16 x 1,5 | 32 | 17,0 | 27,5 | 14 | 19 | ET-DKOS-08 |
| S | 630 | 10 | M 18 x 1,5 | 34 | 17,5 | 30,0 | 17 | 22 | ET-DKOS-10 |
| S | 630 | 12 | M 20 x 1,5 | 38 | 21,5 | 31,0 | 17 | 24 | ET-DKOS-12 |
| S | 630 | 14 | M 22 x 1,5 | 40 | 22,0 | 35,0 | 19 | 27 | ET-DKOS-14 |
| S | 400 | 16 | M 24 x 1,5 | 43 | 24,5 | 36,5 | 24 | 30 | ET-DKOS-16 |
| S | 400 | 20 | M 30 x 2 | 48 | 26,5 | 44,5 | 27 | 36 | ET-DKOS-20 |
| S | 400 | 25 | M 36 x 2 | 54 | 30,0 | 50,0 | 36 | 46 | ET-DKOS-25 |
| S | 400 | 30 | M 42 x 2 | 62 | 35,5 | 55,0 | 41 | 50 | ET-DKOS-30 |
| S | 315 | 38 | M 52 x 2 | 72 | 41,0 | 63,0 | 50 | 60 | ET-DKOS-38 |

Einstellbare T-Verschraubungen
 mit Dichtkegel und O-Ring - Viton
 rohrrseitig Schneidringanschluss
 Einschraubgewinde: metrisches Feingewinde - zylindrisch
 wd = Abdichtung durch Profildichtung - Viton

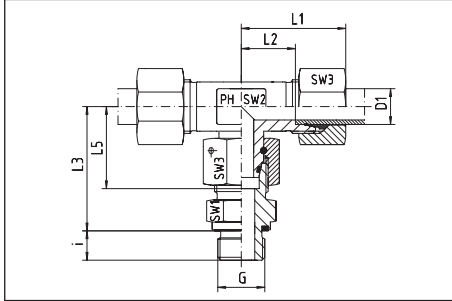
with taper and O-ring - Viton
 cutting ring connection at the tube connection side
 Thread: metric - parallel
 wd = Sealing by an elastomer profiled ring - Viton



| Reihe Series | Druck Pressure PN | Rohr A.D. Tube O.D. D1 | Gewinde Thread G | ca. Maße approx. dimensions | | | | | | | | Bestellzeichen Order-Code |
|-----------------|-------------------------|------------------------------|------------------------|--------------------------------|------|------|------|----|-----|-----|-----|------------------------------|
| | | | | L1 | L2 | L3 | L5 | i | SW1 | SW2 | SW3 | |
| L | 315 | 6 | M 10 x 1 | 27 | 12,0 | 34,5 | 26,0 | 8 | 14 | 12 | 14 | ET-DKOL-06-M 10x1-wd |
| L | 315 | 8 | M 12 x 1,5 | 29 | 14,0 | 37,5 | 27,5 | 12 | 17 | 12 | 17 | ET-DKOL-08-M 12x1,5-wd |
| L | 315 | 10 | M 14 x 1,5 | 30 | 15,0 | 40,0 | 29,0 | 12 | 19 | 14 | 19 | ET-DKOL-10-M 14x1,5-wd |
| L | 315 | 12 | M 16 x 1,5 | 32 | 17,0 | 42,0 | 29,5 | 12 | 22 | 17 | 22 | ET-DKOL-12-M 16x1,5-wd |
| L | 315 | 15 | M 18 x 1,5 | 36 | 21,0 | 46,0 | 32,5 | 12 | 24 | 19 | 27 | ET-DKOL-15-M 18x1,5-wd |
| L | 315 | 18 | M 22 x 1,5 | 40 | 23,5 | 50,0 | 35,5 | 14 | 27 | 24 | 32 | ET-DKOL-18-M 22x1,5-wd |
| L | 160 | 22 | M 26 x 1,5 | 44 | 27,5 | 55,0 | 38,5 | 16 | 32 | 27 | 36 | ET-DKOL-22-M 26x1,5-wd |
| L | 160 | 28 | M 33 x 2 | 47 | 30,5 | 59,0 | 41,5 | 18 | 41 | 36 | 41 | ET-DKOL-28-M 33x2-wd |
| L | 160 | 35 | M 42 x 2 | 56 | 34,5 | 68,5 | 51,0 | 20 | 50 | 41 | 50 | ET-DKOL-35-M 42x2-wd |
| L | 160 | 42 | M 48 x 2 | 63 | 40,0 | 75,0 | 56,0 | 22 | 55 | 50 | 60 | ET-DKOL-42-M 48x2-wd |
| | | | | | | | | | | | | |
| S | 630 | 6 | M 12 x 1,5 | 31 | 16,0 | 40,0 | 27,0 | 12 | 17 | 12 | 17 | ET-DKOS-06-M 12x1,5-wd |
| S | 630 | 8 | M 14 x 1,5 | 32 | 17,0 | 42,5 | 27,5 | 12 | 19 | 14 | 19 | ET-DKOS-08-M 14x1,5-wd |
| S | 630 | 10 | M 16 x 1,5 | 34 | 17,5 | 45,0 | 30,0 | 12 | 22 | 17 | 22 | ET-DKOS-10-M 16x1,5-wd |
| S | 630 | 12 | M 18 x 1,5 | 38 | 21,5 | 48,0 | 31,0 | 12 | 24 | 17 | 24 | ET-DKOS-12-M 18x1,5-wd |
| S | 630 | 14 | M 20 x 1,5 | 40 | 22,0 | 54,0 | 35,0 | 14 | 27 | 19 | 27 | ET-DKOS-14-M 20x1,5-wd |
| S | 400 | 16 | M 22 x 1,5 | 43 | 24,5 | 55,0 | 36,5 | 14 | 27 | 24 | 30 | ET-DKOS-16-M 22x1,5-wd |
| S | 400 | 20 | M 27 x 2 | 48 | 26,5 | 65,0 | 44,5 | 16 | 32 | 27 | 36 | ET-DKOS-20-M 27x2-wd |
| S | 400 | 25 | M 33 x 2 | 54 | 30,0 | 73,0 | 50,0 | 18 | 41 | 36 | 46 | ET-DKOS-25-M 33x2-wd |
| S | 400 | 30 | M 42 x 2 | 62 | 35,5 | 78,5 | 55,0 | 20 | 50 | 41 | 50 | ET-DKOS-30-M 42x2-wd |
| S | 315 | 38 | M 48 x 2 | 72 | 41,0 | 89,0 | 63,0 | 22 | 55 | 50 | 60 | ET-DKOS-38-M 48x2-wd |

Einstellbare T-Verschraubungen
 mit Dichtkegel und O-Ring - Viton
 rohrrseitig Schneidringanschluss
 Einschraubgewinde: Whitworth-Rohrgewinde - zylindrisch
 wd = Abdichtung durch Profildichtung - Viton

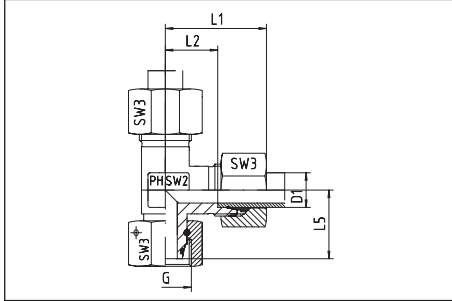
with taper and O-ring - Viton
 cutting ring connection at the tube connection side
 Thread: BSP - parallel
 wd = Sealing by an elastomer profiled ring - Viton



| Reihe Series | Druck Pressure PN | Rohr A.D. Tube O.D. D1 | Gewinde Thread G | ca. Maße approx. dimensions | | | | | | | | Bestellzeichen Order-Code |
|-----------------|-------------------------|------------------------------|------------------------|--------------------------------|------|------|------|----|-----|-----|-----|------------------------------|
| | | | | L1 | L2 | L3 | L5 | i | SW1 | SW2 | SW3 | |
| L | 315 | 6 | G 1/8" | 27 | 12,0 | 34,5 | 26,0 | 8 | 14 | 12 | 14 | ET-DKOL-06-G 1/8"-wd |
| L | 315 | 8 | G 1/4" | 29 | 14,0 | 37,5 | 27,5 | 12 | 17 | 12 | 17 | ET-DKOL-08-G 1/4"-wd |
| L | 315 | 10 | G 1/4" | 30 | 15,0 | 40,0 | 29,0 | 12 | 19 | 14 | 19 | ET-DKOL-10-G 1/4"-wd |
| L | 315 | 12 | G 3/8" | 32 | 17,0 | 42,0 | 29,5 | 12 | 22 | 17 | 22 | ET-DKOL-12-G 3/8"-wd |
| L | 315 | 15 | G 1/2" | 36 | 21,0 | 46,5 | 32,5 | 14 | 27 | 19 | 27 | ET-DKOL-15-G 1/2"-wd |
| L | 315 | 18 | G 1/2" | 40 | 23,5 | 50,0 | 35,5 | 14 | 27 | 24 | 32 | ET-DKOL-18-G 1/2"-wd |
| L | 160 | 22 | G 3/4" | 44 | 27,5 | 65,0 | 38,5 | 16 | 32 | 27 | 36 | ET-DKOL-22-G 3/4"-wd |
| L | 160 | 28 | G 1" | 47 | 30,5 | 59,0 | 41,5 | 18 | 41 | 36 | 41 | ET-DKOL-28-G 1"-wd |
| L | 160 | 35 | G 1 1/4" | 56 | 34,5 | 68,5 | 51,0 | 20 | 50 | 41 | 50 | ET-DKOL-35-G 1 1/4"-wd |
| L | 160 | 42 | G 1 1/2" | 63 | 40,0 | 75,0 | 56,0 | 22 | 55 | 50 | 60 | ET-DKOL-42-G 1 1/2"-wd |
| | | | | | | | | | | | | |
| S | 630 | 6 | G 1/4" | 31 | 16,0 | 40,0 | 27,0 | 12 | 19 | 12 | 17 | ET-DKOS-06-G 1/4"-wd |
| S | 630 | 8 | G 1/4" | 32 | 17,0 | 42,5 | 27,5 | 12 | 19 | 14 | 19 | ET-DKOS-08-G 1/4"-wd |
| S | 630 | 10 | G 3/8" | 34 | 17,5 | 45,0 | 30,0 | 12 | 22 | 17 | 22 | ET-DKOS-10-G 3/8"-wd |
| S | 630 | 12 | G 3/8" | 38 | 21,5 | 48,0 | 31,0 | 12 | 22 | 17 | 24 | ET-DKOS-12-G 3/8"-wd |
| S | 630 | 14 | G 1/2" | 40 | 22,0 | 54,0 | 35,0 | 14 | 27 | 19 | 27 | ET-DKOS-14-G 1/2"-wd |
| S | 400 | 16 | G 1/2" | 43 | 24,5 | 55,0 | 36,5 | 14 | 27 | 24 | 30 | ET-DKOS-16-G 1/2"-wd |
| S | 400 | 20 | G 3/4" | 48 | 26,5 | 65,0 | 44,5 | 16 | 32 | 27 | 36 | ET-DKOS-20-G 3/4"-wd |
| S | 400 | 25 | G 1" | 54 | 30,0 | 73,0 | 50,0 | 18 | 41 | 36 | 46 | ET-DKOS-25-G 1"-wd |
| S | 400 | 30 | G 1 1/4" | 62 | 35,5 | 78,5 | 55,0 | 20 | 50 | 41 | 50 | ET-DKOS-30-G 1 1/4"-wd |
| S | 315 | 38 | G 1 1/2" | 72 | 41,0 | 89,0 | 63,0 | 22 | 55 | 50 | 60 | ET-DKOS-38-G 1 1/2"-wd |

Einstellbare L-Verschraubungen
mit Dichtkegel und O-Ring - Viton
rohrseitig mit Schneidringanschluss

with taper and O-ring - Viton
cutting ring connection at the tube connection side



| Reihe Series | Druck Pressure PN | Rohr A.D. Tube O.D. D1 | Gewinde Thread G | ca. Maße approx. dimensions | | | | | Bestellzeichen Order-Code |
|-----------------|-------------------------|------------------------------|------------------------|--------------------------------|------|------|-----|-----|------------------------------|
| | | | | L1 | L2 | L5 | SW2 | SW3 | |
| L | 315 | 6 | M 12 x 1,5 | 27 | 12,0 | 26,0 | 12 | 14 | EL-DKOL-06 |
| L | 315 | 8 | M 14 x 1,5 | 29 | 14,0 | 27,5 | 12 | 17 | EL-DKOL-08 |
| L | 315 | 10 | M 16 x 1,5 | 30 | 15,0 | 29,0 | 14 | 19 | EL-DKOL-10 |
| L | 315 | 12 | M 18 x 1,5 | 32 | 17,0 | 29,5 | 17 | 22 | EL-DKOL-12 |
| L | 315 | 15 | M 22 x 1,5 | 36 | 21,0 | 32,5 | 19 | 27 | EL-DKOL-15 |
| L | 315 | 18 | M 26 x 1,5 | 40 | 23,5 | 35,5 | 24 | 32 | EL-DKOL-18 |
| L | 160 | 22 | M 30 x 2 | 44 | 27,5 | 38,5 | 27 | 36 | EL-DKOL-22 |
| L | 160 | 28 | M 36 x 2 | 47 | 30,5 | 41,5 | 36 | 41 | EL-DKOL-28 |
| L | 160 | 35 | M 45 x 2 | 56 | 34,5 | 51,0 | 41 | 50 | EL-DKOL-35 |
| L | 160 | 42 | M 52 x 2 | 63 | 40,0 | 56,0 | 50 | 60 | EL-DKOL-42 |
| | | | | | | | | | |
| S | 630 | 6 | M 14 x 1,5 | 31 | 16,0 | 27,0 | 12 | 17 | EL-DKOS-06 |
| S | 630 | 8 | M 16 x 1,5 | 32 | 17,0 | 27,5 | 14 | 19 | EL-DKOS-08 |
| S | 630 | 10 | M 18 x 1,5 | 34 | 17,5 | 30,0 | 17 | 22 | EL-DKOS-10 |
| S | 630 | 12 | M 20 x 1,5 | 38 | 21,5 | 31,0 | 17 | 24 | EL-DKOS-12 |
| S | 630 | 14 | M 22 x 1,5 | 40 | 22,0 | 35,0 | 19 | 27 | EL-DKOS-14 |
| S | 400 | 16 | M 24 x 1,5 | 43 | 24,5 | 36,5 | 24 | 30 | EL-DKOS-16 |
| S | 400 | 20 | M 30 x 2 | 48 | 26,5 | 44,5 | 27 | 36 | EL-DKOS-20 |
| S | 400 | 25 | M 36 x 2 | 54 | 30,0 | 50,0 | 36 | 46 | EL-DKOS-25 |
| S | 400 | 30 | M 42 x 2 | 62 | 35,5 | 55,0 | 41 | 50 | EL-DKOS-30 |
| S | 315 | 38 | M 52 x 2 | 72 | 41,0 | 63,0 | 50 | 60 | EL-DKOS-38 |

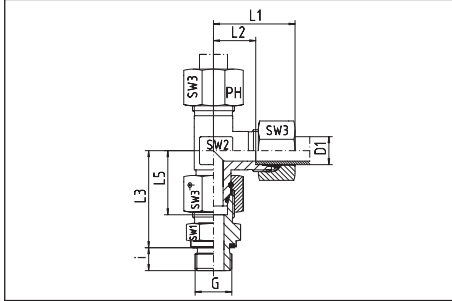
EL - VERSCHRAUBUNGEN



ADJUSTABLE STUD BARREL TEES

Einstellbare L-Verschraubungen
 mit Dichtkegel und O-Ring - Viton
 rohrrseitig mit Schneidringanschluss
 Einschraubgewinde: metrisches Feingewinde - zylindrisch
 wd = Abdichtung durch Profildichtung - Viton

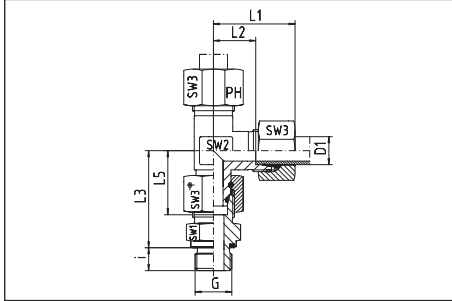
with taper and O-ring - Viton
 cutting ring connection at the tube connection side
 Thread: metric - parallel
 wd = Sealing by an elastomer profiled ring - Viton



| Reihe Series | Druck Pressure PN | Rohr A.D. Tube O.D. D1 | Gewinde Thread G | ca. Maße approx. dimensions | | | | | | | | Bestellzeichen Order-Code |
|--------------|-------------------|------------------------|------------------|-----------------------------|------|------|------|----|-----|-----|-----|---------------------------|
| | | | | L1 | L2 | L3 | L5 | i | SW1 | SW2 | SW3 | |
| L | 315 | 6 | M 10 x 1 | 27 | 12,0 | 34,5 | 26,0 | 8 | 14 | 12 | 14 | EL-DKOL-06-M 10x1-wd |
| L | 315 | 8 | M 12 x 1,5 | 29 | 14,0 | 37,5 | 27,5 | 12 | 17 | 12 | 17 | EL-DKOL-08-M 12x1,5-wd |
| L | 315 | 10 | M 14 x 1,5 | 30 | 15,0 | 40,0 | 29,0 | 12 | 19 | 14 | 19 | EL-DKOL-10-M 14x1,5-wd |
| L | 315 | 12 | M 16 x 1,5 | 32 | 17,0 | 42,0 | 29,5 | 12 | 22 | 17 | 22 | EL-DKOL-12-M 16x1,5-wd |
| L | 315 | 15 | M 18 x 1,5 | 36 | 21,0 | 46,0 | 32,5 | 12 | 24 | 19 | 27 | EL-DKOL-15-M 18x1,5-wd |
| L | 315 | 18 | M 22 x 1,5 | 40 | 23,5 | 50,0 | 35,5 | 14 | 27 | 24 | 32 | EL-DKOL-18-M 22x1,5-wd |
| L | 160 | 22 | M 26 x 1,5 | 44 | 27,5 | 55,0 | 38,5 | 16 | 32 | 27 | 36 | EL-DKOL-22-M 26x1,5-wd |
| L | 160 | 28 | M 33 x 2 | 47 | 30,5 | 59,0 | 41,5 | 18 | 41 | 36 | 41 | EL-DKOL-28-M 33x3-wd |
| L | 160 | 35 | M 42 x 2 | 56 | 34,5 | 68,5 | 51,0 | 20 | 50 | 41 | 50 | EL-DKOL-35-M 42x2-wd |
| L | 160 | 42 | M 48 x 2 | 63 | 40,0 | 75,0 | 56,0 | 22 | 55 | 50 | 60 | EL-DKOL-42-M 48x2-wd |
| | | | | | | | | | | | | |
| S | 630 | 6 | M 12 x 1,5 | 31 | 16,0 | 40,0 | 27,0 | 12 | 17 | 12 | 17 | EL-DKOS-06-M 12x1,5-wd |
| S | 630 | 8 | M 14 x 1,5 | 32 | 17,0 | 42,5 | 27,5 | 12 | 19 | 14 | 19 | EL-DKOS-08-M 14x1,5-wd |
| S | 630 | 10 | M 16 x 1,5 | 34 | 17,5 | 45,0 | 30,0 | 12 | 22 | 17 | 22 | EL-DKOS-10-M 16x1,5-wd |
| S | 630 | 12 | M 18 x 1,5 | 38 | 21,5 | 48,0 | 31,0 | 12 | 24 | 17 | 24 | EL-DKOS-12-M 18x1,5-wd |
| S | 630 | 14 | M 20 x 1,5 | 40 | 22,0 | 54,0 | 35,0 | 14 | 27 | 19 | 27 | EL-DKOS-14-M 20x1,5-wd |
| S | 400 | 16 | M 22 x 1,5 | 43 | 24,5 | 55,0 | 36,5 | 14 | 27 | 24 | 30 | EL-DKOS-16-M 22x1,5-wd |
| S | 400 | 20 | M 27 x 2 | 48 | 26,5 | 65,0 | 44,5 | 16 | 32 | 27 | 36 | EL-DKOS-20-M 27x2-wd |
| S | 400 | 25 | M 33 x 2 | 54 | 30,0 | 73,0 | 50,0 | 18 | 41 | 36 | 46 | EL-DKOS-25-M 33x2-wd |
| S | 400 | 30 | M 42 x 2 | 62 | 35,5 | 78,5 | 55,0 | 20 | 50 | 41 | 50 | EL-DKOS-30-M 42x2-wd |
| S | 315 | 38 | M 48 x 2 | 72 | 41,0 | 89,0 | 63,0 | 22 | 55 | 50 | 60 | EL-DKOS-38-M 48x2-wd |

Einstellbare L-Verschraubungen
 mit Dichtkegel und O-Ring - Viton
 rohrrseitig mit Schneidringanschluss
 Einschraubgewinde: Whitworth-Rohrgewinde - zylindrisch
 wd = Abdichtung durch Profildichtung - Viton

with taper and O-ring - Viton
 cutting ring connection at the tube connection side
 Thread: BSP - parallel
 wd = Sealing by an elastomer profiled ring - Viton



| Reihe Series | Druck Pressure PN | Rohr A.D. Tube O.D. D1 | Gewinde Thread G | ca. Maße approx. dimensions | | | | | | | | Bestellzeichen Order-Code |
|--------------|-------------------|------------------------|------------------|-----------------------------|------|------|------|----|-----|-----|-----|---------------------------|
| | | | | L1 | L2 | L3 | L5 | i | SW1 | SW2 | SW3 | |
| L | 315 | 6 | G 1/8" | 27 | 12,0 | 34,5 | 26,0 | 8 | 14 | 12 | 14 | EL-DKOL-06-G 1/8"-wd |
| L | 315 | 8 | G 1/4" | 29 | 14,0 | 37,5 | 27,5 | 12 | 19 | 12 | 17 | EL-DKOL-08-G 1/4"-wd |
| L | 315 | 10 | G 1/4" | 30 | 15,0 | 40,0 | 29,0 | 12 | 19 | 14 | 19 | EL-DKOL-10-G 1/4"-wd |
| L | 315 | 12 | G 3/8" | 32 | 17,0 | 42,0 | 29,5 | 12 | 22 | 17 | 22 | EL-DKOL-12-G 3/8"-wd |
| L | 315 | 15 | G 1/2" | 36 | 21,0 | 46,5 | 32,5 | 14 | 27 | 19 | 27 | EL-DKOL-15-G 1/2"-wd |
| L | 315 | 18 | G 1/2" | 40 | 23,5 | 50,0 | 35,5 | 14 | 27 | 24 | 32 | EL-DKOL-18-G 1/2"-wd |
| L | 160 | 22 | G 3/4" | 44 | 27,5 | 55,0 | 38,5 | 16 | 32 | 27 | 36 | EL-DKOL-22-G 3/4"-wd |
| L | 160 | 28 | G 1" | 47 | 30,5 | 59,0 | 41,5 | 18 | 41 | 36 | 41 | EL-DKOL-28-G 1"-wd |
| L | 160 | 35 | G 1 1/4" | 56 | 34,5 | 68,5 | 51,0 | 20 | 50 | 41 | 50 | EL-DKOL-35-G 1 1/4"-wd |
| L | 160 | 42 | G 1 1/2" | 63 | 40,0 | 75,0 | 56,0 | 22 | 55 | 50 | 60 | EL-DKOL-42-G 1 1/2"-wd |
| S | 630 | 6 | G 1/4" | 31 | 16,0 | 40,0 | 27,0 | 12 | 19 | 12 | 17 | EL-DKOS-06-G 1/4"-wd |
| S | 630 | 8 | G 1/4" | 32 | 17,0 | 42,5 | 27,5 | 12 | 19 | 14 | 19 | EL-DKOS-08-G 1/4"-wd |
| S | 630 | 10 | G 3/8" | 34 | 17,5 | 45,0 | 30,0 | 12 | 22 | 17 | 22 | EL-DKOS-10-G 3/8"-wd |
| S | 630 | 12 | G 3/8" | 38 | 21,5 | 48,0 | 31,0 | 12 | 22 | 17 | 24 | EL-DKOS-12-G 3/8"-wd |
| S | 630 | 14 | G 1/2" | 40 | 22,0 | 54,0 | 35,0 | 14 | 27 | 19 | 27 | EL-DKOS-14-G 1/2"-wd |
| S | 400 | 16 | G 1/2" | 43 | 24,5 | 55,0 | 36,5 | 14 | 27 | 24 | 30 | EL-DKOS-16-G 1/2"-wd |
| S | 400 | 20 | G 3/4" | 48 | 26,5 | 65,0 | 44,5 | 16 | 32 | 27 | 36 | EL-DKOS-20-G 3/4"-wd |
| S | 400 | 25 | G 1" | 54 | 30,0 | 73,0 | 50,0 | 18 | 41 | 36 | 46 | EL-DKOS-25-G 1"-wd |
| S | 400 | 30 | G 1 1/4" | 62 | 35,5 | 78,5 | 55,0 | 20 | 50 | 41 | 50 | EL-DKOS-30-G 1 1/4"-wd |
| S | 315 | 38 | G 1 1/2" | 72 | 41,0 | 89,0 | 63,0 | 22 | 55 | 50 | 60 | EL-DKOS-38-G 1 1/2"-wd |

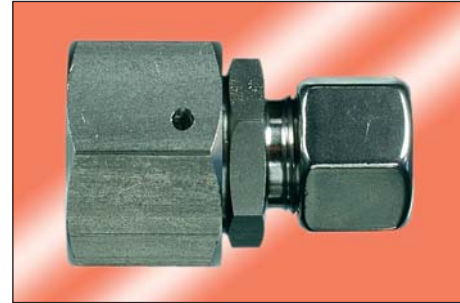
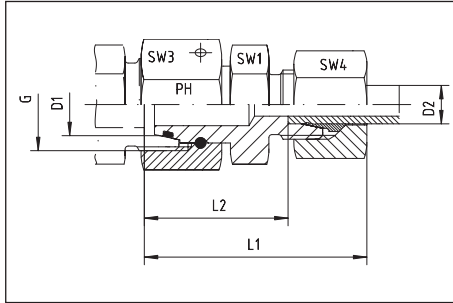
REDUZIER-VERSCHRAUBUNGEN



REDUCING COUPLINGS

mit Dichtkegel und O-Ring (DKO) - Viton
passend in Bohrungsform W DIN 3861

with taper and O-ring - Viton
for type of port end W DIN 3861



| Reihe Series | Druck Pressure PN | Rohr A.D. Tube O.D. | | Gewinde Thread G | ca. Maße approx. dimensions | | | | | Bestellzeichen Order-Code |
|-----------------|-------------------------|------------------------|----|------------------------|--------------------------------|------|-----|-----|-----|------------------------------|
| | | D1 | D2 | | L1 | L2 | SW1 | SW3 | SW4 | |
| L | 315 | 8 | 6 | M 14 x 1,5 | 38 | 23,5 | 12 | 17 | 14 | RED-DKOL-08/06 |
| L | 315 | 10 | 6 | M 16 x 1,5 | 40 | 25,0 | 14 | 19 | 14 | RED-DKOL-10/06 |
| L | 315 | 10 | 8 | M 16 x 1,5 | 40 | 25,0 | 14 | 19 | 17 | RED-DKOL-10/08 |
| L | 315 | 12 | 6 | M 18 x 1,5 | 40 | 25,0 | 17 | 22 | 14 | RED-DKOL-12/06 |
| L | 315 | 12 | 8 | M 18 x 1,5 | 40 | 25,0 | 17 | 22 | 17 | RED-DKOL-12/08 |
| L | 315 | 12 | 10 | M 18 x 1,5 | 41 | 26,0 | 17 | 22 | 19 | RED-DKOL-12/10 |
| L | 315 | 15 | 6 | M 22 x 1,5 | 43 | 28,5 | 19 | 27 | 14 | RED-DKOL-15/06 |
| L | 315 | 15 | 8 | M 22 x 1,5 | 43 | 28,5 | 19 | 27 | 17 | RED-DKOL-15/08 |
| L | 315 | 15 | 10 | M 22 x 1,5 | 44 | 29,5 | 19 | 27 | 19 | RED-DKOL-15/10 |
| L | 315 | 15 | 12 | M 22 x 1,5 | 44 | 29,5 | 19 | 27 | 22 | RED-DKOL-15/12 |
| L | 315 | 18 | 6 | M 26 x 1,5 | 43 | 28,0 | 24 | 32 | 14 | RED-DKOL-18/06 |
| L | 315 | 18 | 8 | M 26 x 1,5 | 43 | 28,0 | 24 | 32 | 17 | RED-DKOL-18/08 |
| L | 315 | 18 | 10 | M 26 x 1,5 | 44 | 29,0 | 24 | 32 | 19 | RED-DKOL-18/10 |
| L | 315 | 18 | 12 | M 26 x 1,5 | 44 | 29,0 | 24 | 32 | 22 | RED-DKOL-18/12 |
| L | 315 | 18 | 15 | M 26 x 1,5 | 45 | 30,0 | 24 | 32 | 27 | RED-DKOL-18/15 |
| L | 160 | 22 | 6 | M 30 x 2 | 47 | 32,0 | 27 | 36 | 14 | RED-DKOL-22/06 |
| L | 160 | 22 | 8 | M 30 x 2 | 47 | 32,0 | 27 | 36 | 17 | RED-DKOL-22/08 |
| L | 160 | 22 | 10 | M 30 x 2 | 48 | 33,0 | 27 | 36 | 19 | RED-DKOL-22/10 |
| L | 160 | 22 | 12 | M 30 x 2 | 48 | 33,0 | 27 | 36 | 22 | RED-DKOL-22/12 |
| L | 160 | 22 | 15 | M 30 x 2 | 49 | 34,0 | 27 | 36 | 27 | RED-DKOL-22/15 |
| L | 160 | 22 | 18 | M 30 x 2 | 50 | 33,5 | 27 | 36 | 32 | RED-DKOL-22/18 |
| L | 160 | 28 | 6 | M 36 x 2 | 49 | 34,0 | 32 | 41 | 14 | RED-DKOL-28/06 |
| L | 160 | 28 | 8 | M 36 x 2 | 49 | 34,0 | 32 | 41 | 17 | RED-DKOL-28/08 |
| L | 160 | 28 | 10 | M 36 x 2 | 50 | 35,0 | 32 | 41 | 19 | RED-DKOL-28/10 |
| L | 160 | 28 | 12 | M 36 x 2 | 50 | 35,0 | 32 | 41 | 22 | RED-DKOL-28/12 |
| L | 160 | 28 | 15 | M 36 x 2 | 51 | 36,0 | 32 | 41 | 27 | RED-DKOL-28/15 |
| L | 160 | 28 | 18 | M 36 x 2 | 52 | 35,5 | 32 | 41 | 32 | RED-DKOL-28/18 |
| L | 160 | 28 | 22 | M 36 x 2 | 54 | 37,5 | 32 | 41 | 36 | RED-DKOL-28/22 |
| L | 160 | 35 | 6 | M 45 x 2 | 52 | 37,0 | 41 | 50 | 14 | RED-DKOL-35/06 |
| L | 160 | 35 | 8 | M 45 x 2 | 52 | 37,0 | 41 | 50 | 17 | RED-DKOL-35/08 |
| L | 160 | 35 | 10 | M 45 x 2 | 53 | 38,0 | 41 | 50 | 19 | RED-DKOL-35/10 |
| L | 160 | 35 | 12 | M 45 x 2 | 53 | 38,0 | 41 | 50 | 22 | RED-DKOL-35/12 |
| L | 160 | 35 | 15 | M 45 x 2 | 54 | 39,0 | 41 | 50 | 27 | RED-DKOL-35/15 |
| L | 160 | 35 | 18 | M 45 x 2 | 55 | 38,5 | 41 | 50 | 32 | RED-DKOL-35/18 |
| L | 160 | 35 | 22 | M 45 x 2 | 57 | 40,5 | 41 | 50 | 36 | RED-DKOL-35/22 |
| L | 160 | 35 | 28 | M 45 x 2 | 57 | 40,5 | 41 | 50 | 41 | RED-DKOL-35/28 |
| L | 160 | 42 | 6 | M 52 x 2 | 55 | 40,5 | 50 | 60 | 14 | RED-DKOL-42/06 |
| L | 160 | 42 | 8 | M 52 x 2 | 55 | 40,5 | 50 | 60 | 17 | RED-DKOL-42/08 |
| L | 160 | 42 | 10 | M 52 x 2 | 56 | 41,5 | 50 | 60 | 19 | RED-DKOL-42/10 |
| L | 160 | 42 | 12 | M 52 x 2 | 56 | 41,5 | 50 | 60 | 22 | RED-DKOL-42/12 |
| L | 160 | 42 | 15 | M 52 x 2 | 58 | 42,5 | 50 | 60 | 27 | RED-DKOL-42/15 |
| L | 160 | 42 | 18 | M 52 x 2 | 58 | 42,0 | 50 | 60 | 32 | RED-DKOL-42/18 |
| L | 160 | 42 | 22 | M 52 x 2 | 60 | 44,0 | 50 | 60 | 36 | RED-DKOL-42/22 |
| L | 160 | 42 | 28 | M 52 x 2 | 61 | 44,0 | 50 | 60 | 41 | RED-DKOL-42/28 |
| L | 160 | 42 | 35 | M 52 x 2 | 65 | 43,0 | 50 | 60 | 50 | RED-DKOL-42/35 |

andere Abmessungen auf Anfrage
other dimensions on request

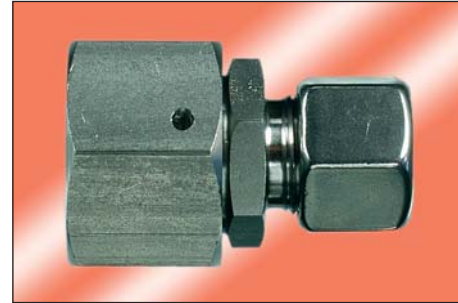
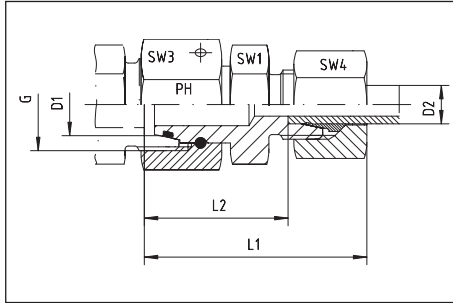
REDUZIER-VERSCHRAUBUNGEN



REDUCING COUPLINGS

mit Dichtkegel und O-Ring (DKO) - Viton
passend in Bohrungsform W DIN 3861

with taper and O-ring - Viton
for type of port end W DIN 3861



| Reihe Series | Druck Pressure PN | Rohr A.D. Tube O.D. | | Gewinde Thread G | ca. Maße approx. dimensions | | | | | Bestellzeichen Order-Code |
|-----------------|-------------------------|------------------------|----|------------------------|--------------------------------|------|-----|-----|-----|------------------------------|
| | | D1 | D2 | | L1 | L2 | SW1 | SW3 | SW4 | |
| S | 630 | 8 | 6 | M 16 x 1,5 | 42 | 27,0 | 14 | 19 | 17 | RED-DKOS-08/06 |
| S | 630 | 10 | 6 | M 18 x 1,5 | 42 | 27,5 | 17 | 22 | 17 | RED-DKOS-10/06 |
| S | 630 | 10 | 8 | M 18 x 1,5 | 42 | 27,5 | 17 | 22 | 19 | RED-DKOS-10/08 |
| S | 630 | 12 | 6 | M 20 x 1,5 | 44 | 29,0 | 17 | 24 | 17 | RED-DKOS-12/06 |
| S | 630 | 12 | 8 | M 20 x 1,5 | 44 | 29,0 | 17 | 24 | 19 | RED-DKOS-12/08 |
| S | 630 | 12 | 10 | M 20 x 1,5 | 46 | 29,5 | 19 | 24 | 22 | RED-DKOS-12/10 |
| S | 630 | 14 | 6 | M 22 x 1,5 | 46 | 31,5 | 19 | 27 | 17 | RED-DKOS-14/06 |
| S | 630 | 14 | 8 | M 22 x 1,5 | 46 | 31,5 | 19 | 27 | 19 | RED-DKOS-14/08 |
| S | 630 | 14 | 10 | M 22 x 1,5 | 47 | 31,0 | 19 | 27 | 22 | RED-DKOS-14/10 |
| S | 630 | 14 | 12 | M 22 x 1,5 | 47 | 31,0 | 22 | 27 | 24 | RED-DKOS-14/12 |
| S | 400 | 16 | 6 | M 24 x 1,5 | 47 | 32,0 | 22 | 30 | 17 | RED-DKOS-16/06 |
| S | 400 | 16 | 8 | M 24 x 1,5 | 47 | 32,0 | 22 | 30 | 19 | RED-DKOS-16/08 |
| S | 400 | 16 | 10 | M 24 x 1,5 | 48 | 31,5 | 22 | 30 | 22 | RED-DKOS-16/10 |
| S | 400 | 16 | 12 | M 24 x 1,5 | 48 | 31,5 | 22 | 30 | 24 | RED-DKOS-16/12 |
| S | 400 | 16 | 14 | M 24 x 1,5 | 51 | 33,0 | 22 | 30 | 27 | RED-DKOS-16/14 |
| S | 400 | 20 | 6 | M 30 x 2 | 51 | 36,0 | 27 | 36 | 17 | RED-DKOS-20/06 |
| S | 400 | 20 | 8 | M 30 x 2 | 51 | 36,0 | 27 | 36 | 19 | RED-DKOS-20/08 |
| S | 400 | 20 | 10 | M 30 x 2 | 52 | 35,5 | 27 | 36 | 22 | RED-DKOS-20/10 |
| S | 400 | 20 | 12 | M 30 x 2 | 52 | 35,5 | 27 | 36 | 24 | RED-DKOS-20/12 |
| S | 400 | 20 | 14 | M 30 x 2 | 55 | 37,0 | 27 | 36 | 27 | RED-DKOS-20/14 |
| S | 400 | 20 | 16 | M 30 x 2 | 55 | 36,5 | 27 | 36 | 30 | RED-DKOS-20/16 |
| S | 400 | 25 | 6 | M 36 x 2 | 53 | 38,5 | 32 | 41 | 17 | RED-DKOS-25/06 |
| S | 400 | 25 | 8 | M 36 x 2 | 53 | 38,5 | 32 | 41 | 19 | RED-DKOS-25/08 |
| S | 400 | 25 | 10 | M 36 x 2 | 54 | 38,0 | 32 | 41 | 22 | RED-DKOS-25/10 |
| S | 400 | 25 | 12 | M 36 x 2 | 54 | 38,0 | 32 | 41 | 24 | RED-DKOS-25/12 |
| S | 400 | 25 | 14 | M 36 x 2 | 57 | 39,5 | 32 | 41 | 27 | RED-DKOS-25/14 |
| S | 400 | 25 | 16 | M 36 x 2 | 57 | 39,0 | 32 | 41 | 30 | RED-DKOS-25/16 |
| S | 400 | 25 | 20 | M 36 x 2 | 61 | 39,0 | 32 | 41 | 36 | RED-DKOS-25/20 |
| S | 400 | 30 | 6 | M 42 x 2 | 59 | 44,0 | 41 | 50 | 17 | RED-DKOS-30/06 |
| S | 400 | 30 | 8 | M 42 x 2 | 59 | 44,0 | 41 | 50 | 19 | RED-DKOS-30/08 |
| S | 400 | 30 | 10 | M 42 x 2 | 60 | 43,5 | 41 | 50 | 22 | RED-DKOS-30/10 |
| S | 400 | 30 | 12 | M 42 x 2 | 60 | 43,5 | 41 | 50 | 24 | RED-DKOS-30/12 |
| S | 400 | 30 | 14 | M 42 x 2 | 63 | 45,0 | 41 | 50 | 27 | RED-DKOS-30/14 |
| S | 400 | 30 | 16 | M 42 x 2 | 63 | 44,5 | 41 | 50 | 30 | RED-DKOS-30/16 |
| S | 400 | 30 | 20 | M 42 x 2 | 66 | 44,5 | 41 | 50 | 36 | RED-DKOS-30/20 |
| S | 400 | 30 | 25 | M 42 x 2 | 69 | 45,0 | 41 | 50 | 46 | RED-DKOS-30/25 |
| S | 315 | 38 | 6 | M 52 x 2 | 63 | 47,0 | 50 | 60 | 17 | RED-DKOS-38/06 |
| S | 315 | 38 | 8 | M 52 x 2 | 63 | 47,0 | 50 | 60 | 19 | RED-DKOS-38/08 |
| S | 315 | 38 | 10 | M 52 x 2 | 63 | 47,0 | 50 | 60 | 22 | RED-DKOS-38/10 |
| S | 315 | 38 | 12 | M 52 x 2 | 63 | 47,0 | 50 | 60 | 24 | RED-DKOS-38/12 |
| S | 315 | 38 | 14 | M 52 x 2 | 66 | 48,5 | 50 | 60 | 27 | RED-DKOS-38/14 |
| S | 315 | 38 | 16 | M 52 x 2 | 66 | 48,0 | 50 | 60 | 30 | RED-DKOS-38/16 |
| S | 315 | 38 | 20 | M 52 x 2 | 70 | 48,0 | 50 | 60 | 36 | RED-DKOS-38/20 |
| S | 315 | 38 | 25 | M 52 x 2 | 73 | 48,5 | 50 | 60 | 46 | RED-DKOS-38/25 |
| S | 315 | 38 | 30 | M 52 x 2 | 76 | 49,0 | 50 | 60 | 50 | RED-DKOS-38/30 |

andere Abmessungen auf Anfrage
other dimensions on request

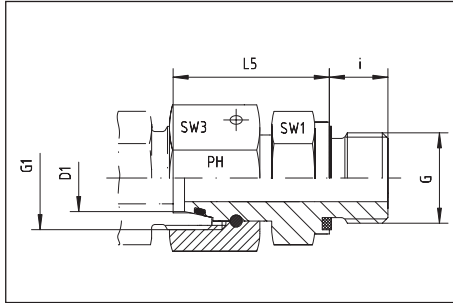
GERADE EINSCHRAUBSTUTZEN



EGE-DKO - SWIVEL CONNECTORS

mit Dichtkegel und O-Ring - Viton
 passend in Bohrungsform W DIN 3861
 Einschraubgewinde: metrisches Feingewinde - zylindrisch
 wd = Abdichtung durch Profildichtung - Viton

with taper and O-ring - Viton
 for type of port end W DIN 3861
 Thread: metric - parallel
 wd = Sealing by an elastomer profiled ring - Viton



| Reihe Series | Druck Pressure PN | Rohr A.D. Tube O.D. D1 | Gewinde Thread | | ca. Maße approx. dimensions | | | | Bestellzeichen Order-Code |
|--------------|-------------------|------------------------|----------------|------------|-----------------------------|----|-----|-----|---------------------------|
| | | | G | G1 | L5 | i | SW1 | SW3 | |
| L | 315 | 6 | M 10 x 1 | M 12 x 1,5 | 24,5 | 8 | 14 | 14 | EGE-DKOL-06-M 10x1-wd |
| L | 315 | 8 | M 12 x 1,5 | M 14 x 1,5 | 26,5 | 12 | 17 | 17 | EGE-DKOL-08-M 12x1,5-wd |
| L | 315 | 10 | M 14 x 1,5 | M 16 x 1,5 | 27,5 | 12 | 19 | 19 | EGE-DKOL-10-M 14x1,5-wd |
| L | 315 | 12 | M 16 x 1,5 | M 18 x 1,5 | 30,5 | 12 | 22 | 22 | EGE-DKOL-12-M 16x1,5-wd |
| L | 315 | 15 | M 18 x 1,5 | M 22 x 1,5 | 31,5 | 12 | 24 | 27 | EGE-DKOL-15-M 18x1,5-wd |
| L | 315 | 18 | M 22 x 1,5 | M 26 x 1,5 | 31,5 | 14 | 27 | 32 | EGE-DKOL-18-M 22x1,5-wd |
| L | 160 | 22 | M 26 x 1,5 | M 30 x 2 | 32,5 | 16 | 32 | 36 | EGE-DKOL-22-M 26x1,5-wd |
| L | 160 | 28 | M 33 x 2 | M 36 x 2 | 35,0 | 18 | 41 | 41 | EGE-DKOL-28-M 33x2-wd |
| L | 160 | 35 | M 42 x 2 | M 45 x 2 | 42,5 | 20 | 50 | 50 | EGE-DKOL-35-M 42x2-wd |
| L | 160 | 42 | M 48 x 2 | M 52 x 2 | 46,5 | 22 | 55 | 60 | EGE-DKOL-42-M 48x2-wd |
| | | | | | | | | | |
| S | 630 | 6 | M 12 x 1,5 | M 14 x 1,5 | 27,0 | 12 | 17 | 17 | EGE-DKOS-06-M 12x1,5-wd |
| S | 630 | 8 | M 14 x 1,5 | M 16 x 1,5 | 29,5 | 12 | 19 | 19 | EGE-DKOS-08-M 14x1,5-wd |
| S | 630 | 10 | M 16 x 1,5 | M 18 x 1,5 | 32,0 | 12 | 22 | 22 | EGE-DKOS-10-M 16x1,5-wd |
| S | 630 | 12 | M 18 x 1,5 | M 20 x 1,5 | 34,0 | 12 | 24 | 24 | EGE-DKOS-12-M 18x1,5-wd |
| S | 630 | 14 | M 20 x 1,5 | M 22 x 1,5 | 36,5 | 14 | 27 | 27 | EGE-DKOS-14-M 20x1,5-wd |
| S | 400 | 16 | M 22 x 1,5 | M 24 x 1,5 | 37,0 | 14 | 27 | 30 | EGE-DKOS-16-M 22x1,5-wd |
| S | 400 | 20 | M 27 x 2 | M 30 x 2 | 43,0 | 16 | 32 | 36 | EGE-DKOS-20-M 27x2-wd |
| S | 400 | 25 | M 33 x 2 | M 36 x 2 | 48,0 | 18 | 41 | 46 | EGE-DKOS-25-M 33x2-wd |
| S | 400 | 30 | M 42 x 2 | M 42 x 2 | 51,0 | 20 | 50 | 50 | EGE-DKOS-30-M 42x2-wd |
| S | 315 | 38 | M 48 x 2 | M 52 x 2 | 60,0 | 22 | 55 | 60 | EGE-DKOS-38-M 48x2-wd |

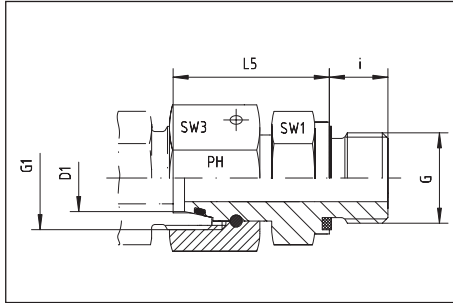
GERADE EINSCHRAUBSTUTZEN



EGE-DKO - SWIVEL CONNECTORS

mit Dichtkegel und O-Ring - Viton
 passend in Bohrungsform W DIN 3861
 Einschraubgewinde: Whitworth-Rohrgewinde - zylindrisch
 wd = Abdichtung durch Profildichtung - Viton

with taper and O-ring - Viton
 for type of port end W DIN 3861
 Thread: BSP - parallel
 wd = Sealing by an elastomer profiled ring - Viton



| Reihe Series | Druck Pressure PN | Rohr A.D. Tube O.D. D1 | Gewinde Thread | | ca. Maße approx. dimensions | | | | Bestellzeichen Order-Code |
|--------------|-------------------|------------------------|----------------|------------|-----------------------------|----|-----|-----|---------------------------|
| | | | G | G1 | L5 | i | SW1 | SW3 | |
| L | 315 | 6 | G 1/8" | M 12 x 1,5 | 24,5 | 8 | 14 | 14 | EGE-DKOL-06-G 1/8" wd |
| L | 315 | 6 | G 1/4" | M 12 x 1,5 | 27,0 | 12 | 19 | 14 | EGE-DKOL-06-G 1/4" wd |
| L | 315 | 8 | G 1/8" | M 14 x 1,5 | 25,5 | 8 | 14 | 17 | EGE-DKOL-08-G 1/8" wd |
| L | 315 | 8 | G 1/4" | M 14 x 1,5 | 29,5 | 12 | 19 | 17 | EGE-DKOL-08-G 1/4" wd |
| L | 315 | 8 | G 3/8" | M 14 x 1,5 | 29,5 | 12 | 22 | 17 | EGE-DKOL-08-G 3/8" wd |
| L | 315 | 10 | G 1/8" | M 16 x 1,5 | 25,5 | 8 | 14 | 19 | EGE-DKOL-10-G 1/8" wd |
| L | 315 | 10 | G 1/4" | M 16 x 1,5 | 27,5 | 12 | 19 | 19 | EGE-DKOL-10-G 1/4" wd |
| L | 315 | 10 | G 3/8" | M 16 x 1,5 | 30,0 | 12 | 22 | 19 | EGE-DKOL-10-G 3/8" wd |
| L | 315 | 10 | G 1/2" | M 16 x 1,5 | 30,0 | 14 | 27 | 19 | EGE-DKOL-10-G 1/2" wd |
| L | 315 | 12 | G 1/4" | M 18 x 1,5 | 28,0 | 12 | 19 | 22 | EGE-DKOL-12-G 1/4" wd |
| L | 315 | 12 | G 3/8" | M 18 x 1,5 | 34,0 | 12 | 22 | 22 | EGE-DKOL-12-G 3/8" wd |
| L | 315 | 12 | G 1/2" | M 18 x 1,5 | 34,5 | 14 | 27 | 22 | EGE-DKOL-12-G 1/2" wd |
| L | 315 | 15 | G 3/8" | M 22 x 1,5 | 35,0 | 12 | 24 | 27 | EGE-DKOL-15-G 3/8" wd |
| L | 315 | 15 | G 1/2" | M 22 x 1,5 | 35,0 | 14 | 27 | 27 | EGE-DKOL-15-G 1/2" wd |
| L | 315 | 15 | G 3/4" | M 22 x 1,5 | 48,0 | 16 | 32 | 27 | EGE-DKOL-15-G 3/4" wd |
| L | 315 | 18 | G 1/2" | M 26 x 1,5 | 31,5 | 14 | 27 | 32 | EGE-DKOL-18-G 1/2" wd |
| L | 315 | 18 | G 3/4" | M 26 x 1,5 | 33,0 | 16 | 32 | 32 | EGE-DKOL-18-G 3/4" wd |
| L | 160 | 22 | G 1/2" | M 30 x 2 | 32,0 | 14 | 27 | 36 | EGE-DKOL-22-G 1/2" wd |
| L | 160 | 22 | G 3/4" | M 30 x 2 | 32,5 | 16 | 32 | 36 | EGE-DKOL-22-G 3/4" wd |
| L | 160 | 22 | G 1" | M 30 x 2 | 51,0 | 18 | 41 | 36 | EGE-DKOL-22-G 1" wd |
| L | 160 | 28 | G 3/4" | M 36 x 2 | 35,0 | 16 | 32 | 41 | EGE-DKOL-28-G 3/4" wd |
| L | 160 | 28 | G 1" | M 36 x 2 | 35,0 | 18 | 41 | 41 | EGE-DKOL-28-G 1" wd |
| L | 160 | 35 | G 1 1/4" | M 45 x 2 | 42,5 | 20 | 50 | 50 | EGE-DKOL-35-G 1 1/4" wd |
| L | 160 | 42 | G 1 1/2" | M 52 x 2 | 46,5 | 22 | 55 | 60 | EGE-DKOL-42-G 1 1/2" wd |
| | | | | | | | | | |
| S | 630 | 6 | G 1/4" | M 14 x 1,5 | 27,0 | 12 | 19 | 17 | EGE-DKOS-06-G 1/4" wd |
| S | 630 | 8 | G 1/4" | M 16 x 1,5 | 29,5 | 12 | 19 | 19 | EGE-DKOS-08-G 1/4" wd |
| S | 630 | 8 | G 3/8" | M 16 x 1,5 | | 12 | 22 | 19 | EGE-DKOS-08-G 3/8" wd |
| S | 630 | 10 | G 3/8" | M 18 x 1,5 | 32,0 | 12 | 22 | 22 | EGE-DKOS-10-G 3/8" wd |
| S | 630 | 10 | G 1/2" | M 18 x 1,5 | 32,0 | 14 | 27 | 22 | EGE-DKOS-10-G 1/2" wd |
| S | 630 | 12 | G 1/4" | M 20 x 1,5 | 42,0 | 12 | 19 | 24 | EGE-DKOS-12-G 1/4" wd |
| S | 630 | 12 | G 3/8" | M 20 x 1,5 | 34,0 | 12 | 22 | 24 | EGE-DKOS-12-G 3/8" wd |
| S | 630 | 12 | G 1/2" | M 20 x 1,5 | 34,5 | 14 | 27 | 24 | EGE-DKOS-12-G 1/2" wd |
| S | 630 | 14 | G 1/2" | M 22 x 1,5 | 36,5 | 14 | 27 | 27 | EGE-DKOS-14-G 1/2" wd |
| S | 400 | 16 | G 3/8" | M 24 x 1,5 | 37,0 | 12 | 24 | 30 | EGE-DKOS-16-G 3/8" wd |
| S | 400 | 16 | G 1/2" | M 24 x 1,5 | 37,0 | 14 | 27 | 30 | EGE-DKOS-16-G 1/2" wd |
| S | 400 | 16 | G 3/4" | M 24 x 1,5 | 39,0 | 16 | 32 | 30 | EGE-DKOS-16-G 3/4" wd |
| S | 400 | 20 | G 1/2" | M 30 x 2 | 38,0 | 14 | 27 | 36 | EGE-DKOS-20-G 1/2" wd |
| S | 400 | 20 | G 3/4" | M 30 x 2 | 43,0 | 16 | 32 | 36 | EGE-DKOS-20-G 3/4" wd |
| S | 400 | 20 | G 1" | M 30 x 2 | 55,0 | 18 | 41 | 36 | EGE-DKOS-20-G 1" wd |
| S | 400 | 25 | G 3/4" | M 36 x 2 | 58,0 | 16 | 32 | 46 | EGE-DKOS-25-G 3/4" wd |
| S | 400 | 25 | G 1" | M 36 x 2 | 48,0 | 18 | 41 | 46 | EGE-DKOS-25-G 1" wd |
| S | 400 | 30 | G 1 1/4" | M 42 x 2 | 51,0 | 20 | 50 | 50 | EGE-DKOS-30-G 1 1/4" wd |
| S | 315 | 38 | G 1 1/2" | M 52 x 2 | 60,0 | 22 | 55 | 60 | EGE-DKOS-38-G 1 1/2" wd |

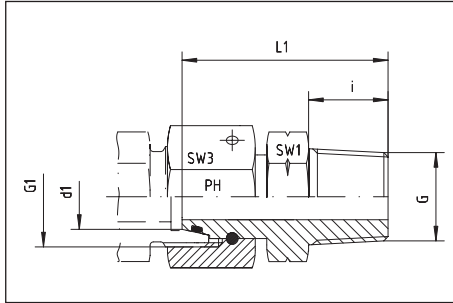
GERADE EINSCHRAUBSTUTZEN



EGE-DKO - SWIVEL-CONNECTORS

mit Dichtkegel und O-Ring - Viton
passend in Bohrungsform W DIN 3861
Einschraubgewinde: NPT

with taper and O-ring - Viton
for type of port end W DIN 3861
Thread: NPT



| Reihe Series | Druck Pressure PN | Rohr A.D. Tube O.D. D1 | Gewinde Thread | | ca. Maße approx. dimensions | | | | Bestellzeichen Order-Code |
|--------------|-------------------|------------------------|----------------|------------|-----------------------------|------|-----|-----|---------------------------|
| | | | G | G1 | L1 | i | SW1 | SW3 | |
| L | 315 | 6 | 1/8" NPT | M 12 x 1,5 | 32,0 | 10,0 | 12 | 14 | EGE-DKOL-06-NPT 1/8" |
| L | 315 | 6 | 1/4" NPT | M 12 x 1,5 | | 15,0 | 14 | 14 | EGE-DKOL-06-NPT 1/4" |
| L | 315 | 8 | 1/4" NPT | M 14 x 1,5 | 42,5 | 15,0 | 14 | 17 | EGE-DKOL-08-NPT 1/4" |
| L | 315 | 10 | 1/4" NPT | M 16 x 1,5 | 42,5 | 15,0 | 14 | 19 | EGE-DKOL-10-NPT 1/4" |
| L | 315 | 10 | 3/8" NPT | M 16 x 1,5 | 43,0 | 15,3 | 19 | 19 | EGE-DKOL-10-NPT 3/8" |
| L | 315 | 12 | 1/4" NPT | M 18 x 1,5 | 40,0 | 15,0 | 17 | 22 | EGE-DKOL-12-NPT 1/4" |
| L | 315 | 12 | 3/8" NPT | M 18 x 1,5 | 40,0 | 15,3 | 19 | 22 | EGE-DKOL-12-NPT 3/8" |
| L | 315 | 12 | 1/2" NPT | M 18 x 1,5 | 47,0 | 20,0 | 22 | 22 | EGE-DKOL-12-NPT 1/2" |
| L | 315 | 15 | 1/2" NPT | M 22 x 1,5 | 49,0 | 20,0 | 22 | 27 | EGE-DKOL-15-NPT 1/2" |
| L | 315 | 18 | 1/2" NPT | M 26 x 1,5 | 49,0 | 20,0 | 24 | 32 | EGE-DKOL-18-NPT 1/2" |
| L | 160 | 22 | 1/2" NPT | M 30 x 2 | | 20,0 | 27 | 36 | EGE-DKOL-22-NPT 1/2" |
| L | 160 | 22 | 3/4" NPT | M 30 x 2 | 50,0 | 20,0 | 27 | 36 | EGE-DKOL-22-NPT 3/4" |
| L | 160 | 28 | 1" NPT | M 36 x 2 | 61,0 | 25,0 | 36 | 41 | EGE-DKOL-28-NPT 1" |
| L | 160 | 35 | 1 1/4" NPT | M 45 x 2 | 60,5 | 25,5 | 46 | 50 | EGE-DKOL-35-NPT 1 1/4" |
| L | 160 | 42 | 1 1/2" NPT | M 52 x 2 | 63,0 | 26,0 | 50 | 60 | EGE-DKOL-42-NPT 1 1/2" |
| | | | | | | | | | |
| S | 630 | 6 | 1/4" NPT | M 14 x 1,5 | 38,0 | 15,0 | 14 | 17 | EGE-DKOS-06-NPT 1/4" |
| S | 630 | 8 | 1/4" NPT | M 16 x 1,5 | 39,0 | 15,0 | 14 | 19 | EGE-DKOS-08-NPT 1/4" |
| S | 630 | 10 | 3/8" NPT | M 18 x 1,5 | 40,0 | 15,3 | 19 | 22 | EGE-DKOS-10-NPT 3/8" |
| S | 630 | 12 | 1/4" NPT | M 20 x 1,5 | 41,5 | 15,0 | 17 | 24 | EGE-DKOS-12-NPT 1/4" |
| S | 630 | 12 | 3/8" NPT | M 20 x 1,5 | 41,5 | 15,3 | 19 | 24 | EGE-DKOS-12-NPT 3/8" |
| S | 630 | 12 | 1/2" NPT | M 20 x 1,5 | 48,0 | 20,0 | 22 | 24 | EGE-DKOS-12-NPT 1/2" |
| S | 630 | 14 | 1/2" NPT | M 22 x 1,5 | 48,0 | 20,0 | 22 | 27 | EGE-DKOS-14-NPT 1/2" |
| S | 400 | 16 | 3/8" NPT | M 24 x 1,5 | 45,0 | 15,3 | 22 | 30 | EGE-DKOS-16-NPT 3/8" |
| S | 400 | 16 | 1/2" NPT | M 24 x 1,5 | 49,0 | 20,0 | 22 | 30 | EGE-DKOS-16-NPT 1/2" |
| S | 400 | 16 | 3/4" NPT | M 24 x 1,5 | | 20,0 | 27 | 30 | EGE-DKOS-16-NPT 3/4" |
| S | 400 | 20 | 3/4" NPT | M 30 x 2 | 52,0 | 20,0 | 27 | 36 | EGE-DKOS-20-NPT 3/4" |
| S | 400 | 25 | 1" NPT | M 36 x 2 | 66,0 | 25,0 | 36 | 46 | EGE-DKOS-25-NPT 1" |
| S | 400 | 30 | 1 1/4" NPT | M 42 x 2 | 65,5 | 25,5 | 46 | 50 | EGE-DKOS-30-NPT 1 1/4" |
| S | 315 | 38 | 1 1/2" NPT | M 52 x 2 | 66,0 | 26,0 | 50 | 60 | EGE-DKOS-38-NPT 1 1/2" |

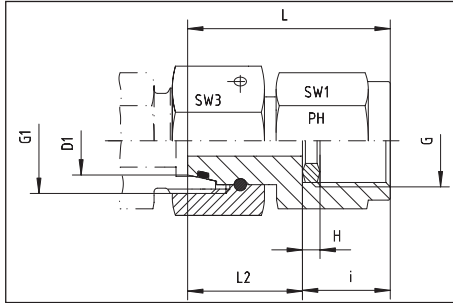
MVE-VERSCHRAUBUNGEN



GAUGE SWIVEL CONNECTORS

einstellbare Manometer-Verschraubung
mit Dichtkegel und O-Ring - Viton
passend in Bohrungsform W DIN 3861

for pressure gauge connection
with taper and O-ring - Viton
for type of port end W DIN 3861



| Reihe Series | Druck Pressure PN | Rohr A.D. Tube O.D. D1 | Gewinde Thread | | ca. Maße approx. dimensions | | | | | Bestellzeichen Order-Code |
|-----------------|-------------------------|------------------------------|-------------------|------------|--------------------------------|------|-----|-----|-----|------------------------------|
| | | | G | G1 | L | i | H | SW1 | SW3 | |
| L | 315 | 6 | 1/4" | M 12 x 1,5 | 35,5 | 14,5 | 4,5 | 19 | 14 | MVE-DKOL-06-G 1/4" |
| L | 315 | 8 | 1/4" | M 14 x 1,5 | 35,5 | 14,5 | 4,5 | 19 | 17 | MVE-DKOL-08-G 1/4" |
| L | 315 | 10 | 1/4" | M 16 x 1,5 | 36,0 | 14,5 | 4,5 | 19 | 19 | MVE-DKOL-10-G 1/4" |
| L | 315 | 12 | 1/4" | M 18 x 1,5 | 36,0 | 14,5 | 4,5 | 19 | 22 | MVE-DKOL-12-G 1/4" |
| S | 630 | 6 | 1/4" | M 14 x 1,5 | 36,0 | 14,5 | 4,5 | 19 | 17 | MVE-DKOS-06-G 1/4" |
| S | 630 | 6 | 1/2" | M 14 x 1,5 | 43,0 | 20,0 | 5,0 | 27 | 17 | MVE-DKOS-06-G 1/2" |
| S | 630 | 8 | 1/4" | M 16 x 1,5 | 37,5 | 14,5 | 4,5 | 19 | 19 | MVE-DKOS-08-G 1/4" |
| S | 630 | 8 | 1/2" | M 16 x 1,5 | 43,0 | 20,0 | 5,0 | 27 | 19 | MVE-DKOS-08-G 1/2" |
| S | 630 | 10 | 1/4" | M 18 x 1,5 | 37,5 | 14,5 | 4,5 | 19 | 22 | MVE-DKOS-10-G 1/4" |
| S | 630 | 10 | 1/2" | M 18 x 1,5 | 43,5 | 20,0 | 5,0 | 27 | 22 | MVE-DKOS-10-G 1/2" |
| S | 630 | 12 | 1/4" | M 20 x 1,5 | 39,0 | 14,5 | 4,5 | 19 | 24 | MVE-DKOS-12-G 1/4" |
| S | 630 | 12 | 1/2" | M 20 x 1,5 | 45,0 | 20,0 | 5,0 | 27 | 24 | MVE-DKOS-12-G 1/2" |