

ADAPTER - BSP - METRISCH - NPT - BSP - KEGELIG ADAPTORS - BSP - METRIC - NPT - BSP - TAPER

| | | |
|---|---|------|
| GERADE ADAPTER - BSP - METRISCH | STRAIGHT ADAPTORS - BSP - METRIC | 5.3 |
| GERADE ANSCHWEISS-STUTZEN - METRISCH - 60°-KONUS | STRAIGHT WELDING ADAPTORS - METRIC - 60°-CONE | 5.4 |
| GERADE ADAPTER - BSP - ZYLINDRISCH - BSP - KEGELIG | STRAIGHT ADAPTORS - BSP - PARALLEL - BSP - TAPER | 5.5 |
| GERADE ADAPTER - BSP - ZYLINDRISCH | STRAIGHT ADAPTORS - BSP - PARALLEL | 5.6 |
| GERADE ADAPTER - BSP - ZYLINDRISCH - REDUZIERT | STRAIGHT ADAPTORS - BSP - PARALLEL - REDUCER | 5.7 |
| GERADE ADAPTER - BSP - ZYLINDRISCH - NPT | STRAIGHT ADAPTORS - BSP - PARALLEL - NPT | 5.8 |
| GERADE ADAPTER - NPT - NPT | STRAIGHT ADAPTORS - NPT - NPT | 5.9 |
| GERADE ADAPTER - BSP - KEGELIG - BSP - KEGELIG | STRAIGHT ADAPTORS - BSP - TAPER - BSP - TAPER | 5.10 |
| GERADE ADAPTER - BSP - WEIBLICH - BSP - KEGELIG | STRAIGHT ADAPTORS - BSP - FEMALE - BSP - TAPER | 5.11 |
| VERSCHLUSS-STOPFEN - BSP - KEGELIG | BSPT-TAPER-PLUG - BSP - TAPER | 5.11 |
| GERADE ADAPTER - BSP - WEIBLICH - NPT - MÄNNLICH | STRAIGHT ADAPTORS - BSP - FEMALE - NPT - MALE | 5.12 |
| VERSCHLUSS-STOPFEN - NPT | NPT-PLUG | 5.12 |
| GERADE ADAPTER - BSP - WEIBLICH - BSP - ZYLINDRISCH | STRAIGHT ADAPTORS - BSP - FEMALE - BSP - PARALLEL | 5.13 |
| GERADE ADAPTER - DKR - BSP - WEIBLICH | STRAIGHT ADAPTORS - DKR - BSP - FEMALE | 5.14 |
| WINKEL-ADAPTER - DKR - BSP - WEIBLICH | ELBOW-ADAPTORS - DKR - BSP - FEMALE | 5.14 |
| T-ADAPTER - DKR - BSP - WEIBLICH | T-ADAPTORS - DKR - BSP - FEMALE | 5.15 |
| K-ADAPTER - DKR - BSP - WEIBLICH | K-ADAPTORS - DKR - BSP - FEMALE | 5.15 |
| WINKEL-ADAPTER - BSP - ZYLINDRISCH | ELBOW-ADAPTORS - BSP - MALE | 5.16 |
| T-ADAPTER - BSP - ZYLINDRISCH | T-ADAPTORS - BSP - MALE | 5.16 |
| KREUZ-ADAPTER - BSP - ZYLINDRISCH | CROSS-ADAPTORS - BSP - MALE | 5.17 |
| WE-KOMPAKT-WINKEL-ADAPTER - BSP WEIBLICH - BSP - ZYLINDRISCH | WE-BLOCK-ELBOW-ADAPTORS - BSP - FEMALE - BSP - MALE | 5.17 |
| LE-ADAPTER - BSP - WEIBLICH - BSP - ZYLINDRISCH | LE-ADAPTORS - BSP - FEMALE - BSP - MALE | 5.18 |
| TE-ADAPTER - BSP - WEIBLICH - BSP - ZYLINDRISCH | TE-ADAPTORS - BSP - FEMALE - BSP - MALE | 5.18 |
| WINKEL-ADAPTER - BSP - ZYLINDRISCH | ELBOW-ADAPTORS - BSP - PARALLEL | 5.19 |
| T-ADAPTER - BSP - ZYLINDRISCH | T-ADAPTORS - BSP - PARALLEL | 5.19 |
| GERADE SCHOTT-ADAPTER - BSP - ZYLINDRISCH | STRAIGHT BULKHEAD ADAPTORS - BSP - MALE | 5.20 |
| WINKEL-ADAPTER - BSP - ZYL. - MÄNNLICH - BSP KEGELIG - MÄNNLICH | ELBOW-ADAPTORS - BSP - MALE - BSP - TAPER - MALE | 5.20 |
| SECHSKANT-MUFFEN - BSP - ZYLINDRISCH | HEXAGON SOCKETS - BSP - FEMALE | 5.21 |
| SECHSKANT-MUFFEN - NPT | HEXAGON SOCKETS - NPT - FEMALE | 5.22 |
| VERSCHLUSSKAPPEN - DKR - BSP - WEIBLICH | BSP-FEMALE-SWIVEL CAPS | 5.23 |
| VERSCHLUSS-STOPFEN - BSP - ZYLINDRISCH | BSP-60°-CONED PLUG - PARALLEL | 5.23 |
| SECHSKANT-ADAPTER - BSP AUSSEN / INNEN | HEXAGON-ADAPTORS - BSP - MALE / FEMALE | 5.24 |
| GEWINDE-REDUZIERUNGEN - BSP AUSSEN - NPT INNEN | MALE/FEMALE STUD ADAPTORS - BSP - MALE - NPT - FEMALE | 5.25 |
| GEWINDE-REDUZIERUNGEN - NPT AUSSEN - BSP INNEN | MALE/FEMALE STUD ADAPTORS - NPT - MALE - BSP - FEMALE | 5.26 |
| GEWINDE-REDUZIERUNGEN - NPT AUSSEN - NPT INNEN | MALE/FEMALE STUD ADAPTORS - NPT - MALE - NPT - FEMALE | 5.27 |
| SECHSKANT-KAPPEN - BSP - ZYLINDRISCH | HEXAGON CAPS - BSP - PARALLEL | 5.28 |
| SECHSKANT-KAPPEN - NPT | HEXAGON CAPS - NPT | 5.28 |

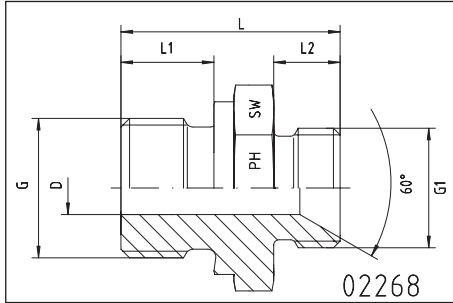
GERADE ADAPTER



STRAIGHT ADAPTORS

BSP mit angedrehter Dichtkante Form B
metrisch
mit 60°-Innenkonus

BSP with sealing shoulder form B
metric
with 60°-cone

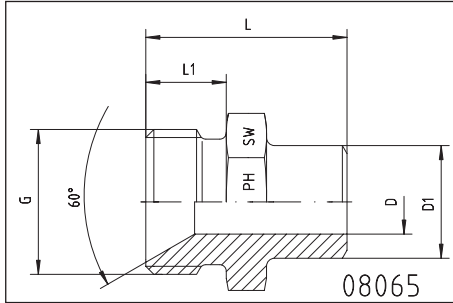


| Gewinde Thread | | ca. Maße approx. dimensions | | | | | Bestellzeichen Order-Code |
|-------------------|------------|--------------------------------|----|----|----|-----|------------------------------|
| G = BSP | G1 | L | L1 | L2 | D | SW | |
| 1/2" | M 18 x 1,5 | 34 | 14 | 11 | 10 | 27 | 0226820-08-06 |
| 1/2" | M 22 x 1,5 | 35 | 14 | 12 | 11 | 27 | 0226820-08 |
| 1/2" | M 26 x 1,5 | 38 | 14 | 12 | 14 | 27 | 0226820-08-10 |
| 3/4" | M 26 x 1,5 | 38 | 16 | 12 | 15 | 32 | 0226820-12-10 |
| 3/4" | M 30 x 1,5 | 39 | 16 | 14 | 20 | 32 | 0226820-12 |
| 1" | M 30 x 1,5 | 41 | 18 | 14 | 20 | 41 | 0226821-16-12 |
| 1" | M 38 x 1,5 | 41 | 18 | 14 | 24 | 41 | 0226825-16 |
| 1 1/4" | M 38 x 1,5 | 44 | 20 | 14 | 25 | 50 | 0226826-20-16 |
| 1 1/4" | M 45 x 1,5 | 46 | 20 | 16 | 32 | 50 | 0226832-20 |
| 1 1/2" | M 45 x 1,5 | 49 | 22 | 16 | 32 | 55 | 0226833-24-20 |
| 1 1/2" | M 52 x 1,5 | 49 | 22 | 16 | 39 | 55 | 0226840-24 |
| 2" | M 65 x 2 | 54 | 24 | 17 | 45 | 70 | 0226850-32 |
| 2 1/2" | M 78 x 2 | 57 | 26 | 17 | 56 | 85 | 0226860-40 |
| 3" | M 100 x 2 | 68 | 28 | 22 | 76 | 105 | 0226880-48 |

GERADE ANSCHWEISS-STUTZEN STRAIGHT WELDING ADAPTORS

metrisch - fein
mit 60°-Innenkonus

metric - pitch 1,5 mm and 2 mm
with 60°-cone



| Gewinde Thread G | ca. Maße approx. dimensions | | | | | Bestellzeichen Order-Code |
|------------------------|--------------------------------|----|------|----|-----|------------------------------|
| | L | L1 | D | D1 | SW | |
| M 12 x 1,5 | 24 | 10 | 3,5 | 6 | 12 | 0806504-02 |
| M 14 x 1,5 | 25 | 10 | 4,5 | 8 | 14 | 0806507-04 |
| M 16 x 1,5 | 25 | 10 | 6,0 | 10 | 17 | 0806509-05 |
| M 18 x 1,5 | 25 | 10 | 8,0 | 14 | 19 | 0806511-06 |
| M 22 x 1,5 | 27 | 12 | 10,5 | 17 | 22 | 0806514-08 |
| M 26 x 1,5 | 28 | 12 | 13,0 | 21 | 27 | 0806517-10 |
| M 30 x 1,5 | 28 | 12 | 15,5 | 25 | 30 | 0806521-12 |
| M 38 x 1,5 | 30 | 14 | 21,0 | 30 | 41 | 0806526-16 |
| M 45 x 1,5 | 31 | 14 | 28,0 | 38 | 46 | 0806533-20 |
| M 52 x 1,5 | 32 | 14 | 35,0 | 44 | 55 | 0806541-24 |
| M 65 x 2 | 36 | 17 | 45,0 | 57 | 65 | 0806551-32 |
| M 78 x 2 | 36 | 17 | 55,0 | 64 | 80 | 0806561-40 |
| M 90 x 2 | 47 | 22 | 67,0 | 76 | 90 | 0806571-48 |
| M 100 x 2 | 47 | 22 | 77,0 | 89 | 100 | 0806581-56 |

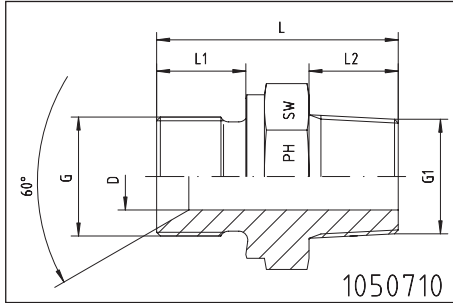
GERADE ADAPTER



STRAIGHT ADAPTORS

BSP - zylindrisch - männlich
mit 60°-Konus
BSP - kegelig - männlich

BSP - male
with 60°-cone
BSP - taper - male



| Gewinde Thread | | ca. Maße approx. dimensions | | | | | Bestellzeichen Order-Code |
|-------------------|-----------|--------------------------------|----|----|------|----|------------------------------|
| G = BSP | G1 = BSPT | L | L1 | L2 | D | SW | |
| 1/8"-28 | 1/8"-28 | 23,0 | 8 | 8 | 4,0 | 14 | 1050710-02-02 |
| 1/4"-19 | 1/4"-19 | 30,0 | 10 | 12 | 6,0 | 19 | 1050710-04-04 |
| 3/8"-19 | 3/8"-19 | 32,5 | 12 | 12 | 9,0 | 22 | 1050710-06-06 |
| 1/2"-14 | 1/2"-14 | 43,0 | 14 | 19 | 12,5 | 27 | 1050710-08-08 |
| 3/4"-14 | 3/4"-14 | 47,0 | 16 | 19 | 17,5 | 32 | 1050710-12-12 |
| 1"-11 | 1"-11 | 49,0 | 18 | 18 | 22,0 | 41 | 1050710-16-16 |
| 1 1/4"-11 | 1 1/4"-11 | 54,5 | 20 | 20 | 29,0 | 50 | 1050710-20-20 |
| 1 1/2"-11 | 1 1/2"-11 | 58,5 | 22 | 22 | 37,0 | 55 | 1050710-24-24 |
| 2"-11 | 2"-11 | 63,0 | 22 | 26 | 45,0 | 70 | 1050710-32-32 |
| | | | | | | | |
| | | | | | | | |
| 1/4"-19 | 1/8"-28 | 26,0 | 10 | 8 | 4,0 | 19 | 1050710-04-02 |
| 1/4"-19 | 3/8"-19 | 32,0 | 10 | 12 | 7,0 | 19 | 1050710-04-06 |
| 1/4"-19 | 1/2"-14 | 40,0 | 10 | 19 | 6,0 | 22 | 1050710-04-08 |
| 3/8"-19 | 1/2"-14 | 42,0 | 12 | 19 | 9,0 | 22 | 1050710-06-08 |
| 1/2"-14 | 3/8"-19 | 37,0 | 14 | 12 | 9,0 | 27 | 1050710-08-06 |
| 1/2"-14 | 3/4"-14 | 45,0 | 14 | 19 | 12,5 | 27 | 1050710-08-12 |
| 3/4"-14 | 1/2"-14 | 45,0 | 16 | 19 | 12,5 | 32 | 1050710-12-08 |

andere Größen auf Anfrage
other sizes on request

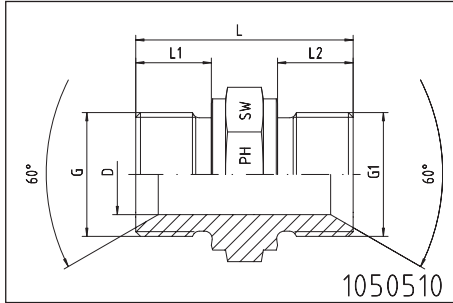
GERADE ADAPTER



STRAIGHT ADAPTORS

BSP - BSP
mit 60°-Innenkonus
und angedrehter Dichtkante Form B
männlich - männlich

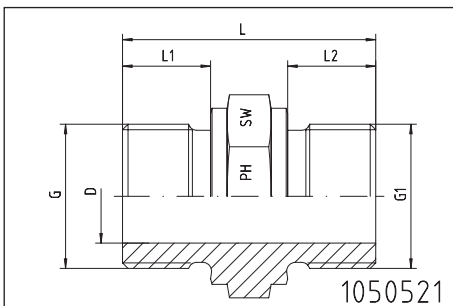
with 60°-cone
and sealing shoulder form B
BSP male - male - parallel



| Gewinde Thread | | ca. Maße approx. dimensions | | | | | Bestellzeichen Order-Code |
|-------------------|-----------|--------------------------------|----|----|------|----|------------------------------|
| G = BSP | G1 = BSP | L | L1 | L2 | D | SW | |
| 1/8"-28 | 1/8"-28 | 23,0 | 8 | 8 | 4,5 | 14 | 1050510-02-02 |
| 1/4"-19 | 1/4"-19 | 29,0 | 10 | 10 | 6,0 | 19 | 1050510-04-04 |
| 3/8"-19 | 3/8"-19 | 35,0 | 12 | 12 | 9,0 | 22 | 1050510-06-06 |
| 1/2"-14 | 1/2"-14 | 41,0 | 14 | 14 | 13,0 | 27 | 1050510-08-08 |
| 5/8"-14 | 5/8"-14 | 43,5 | 16 | 16 | 14,5 | 30 | 1050510-10-10 |
| 3/4"-14 | 3/4"-14 | 46,0 | 16 | 16 | 18,0 | 32 | 1050510-12-12 |
| 1"-11 | 1"-11 | 52,0 | 18 | 18 | 23,5 | 41 | 1050510-16-16 |
| 1 1/4"-11 | 1 1/4"-11 | 58,0 | 20 | 20 | 30,0 | 50 | 1050510-20-20 |
| 1 1/2"-11 | 1 1/2"-11 | 61,0 | 22 | 22 | 37,0 | 55 | 1050510-24-24 |
| 2"-11 | 2"-11 | 61,0 | 22 | 22 | 45,0 | 70 | 1050510-32-32 |
| 2 1/2"-11 | 2 1/2"-11 | 69,0 | 26 | 26 | 51,0 | 80 | 1050510-40-40 |

BSP - BSP - flachdichtend
mit angedrehter Dichtkante Form B
männlich - männlich

BSP - BSP - flat face
with sealing shoulder form B
male - male - parallel



| Gewinde Thread | | ca. Maße approx. dimensions | | | | | Bestellzeichen Order-Code |
|-------------------|-----------|--------------------------------|----|----|------|----|------------------------------|
| G = BSP | G1 = BSP | L | L1 | L2 | D | SW | |
| 1/8"-28 | 1/8"-28 | 23,0 | 8 | 8 | 4,5 | 14 | 1050521-02-02 |
| 1/4"-19 | 1/4"-19 | 29,0 | 10 | 10 | 6,0 | 19 | 1050521-04-04 |
| 3/8"-19 | 3/8"-19 | 35,0 | 12 | 12 | 9,0 | 22 | 1050521-06-06 |
| 1/2"-14 | 1/2"-14 | 41,0 | 14 | 14 | 13,0 | 27 | 1050521-08-08 |
| 5/8"-14 | 5/8"-14 | 43,5 | 16 | 16 | 14,5 | 30 | 1050521-10-10 |
| 3/4"-14 | 3/4"-14 | 46,0 | 16 | 16 | 18,0 | 32 | 1050521-12-12 |
| 1"-11 | 1"-11 | 52,0 | 18 | 18 | 23,5 | 41 | 1050521-16-16 |
| 1 1/4"-11 | 1 1/4"-11 | 58,0 | 20 | 20 | 30,0 | 50 | 1050521-20-20 |
| 1 1/2"-11 | 1 1/2"-11 | 61,0 | 22 | 22 | 37,0 | 55 | 1050521-24-24 |
| 2"-11 | 2"-11 | 61,0 | 22 | 22 | 45,0 | 70 | 1050521-32-32 |
| 2 1/2"-11 | 2 1/2"-11 | 69,0 | 26 | 26 | 51,0 | 80 | 1050521-40-40 |

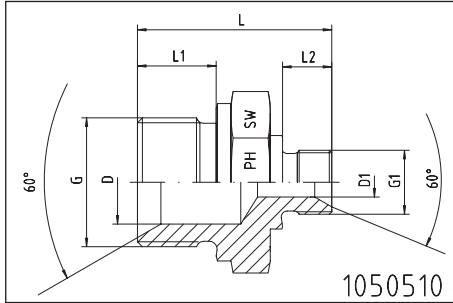
GERADE ADAPTER



STRAIGHT ADAPTORS

BSP - BSP
mit 60°-Innenkonus
und angedrehter Dichtkante Form B
männlich - männlich

with 60°-cone
and sealing shoulder form B
BSP male - male



| Gewinde Thread | | ca. Maße approx. dimensions | | | | | | Bestellzeichen Order-Code G x G1 |
|-------------------|-----------|--------------------------------|------|----|------|------|----|--|
| G = BSP | G1 = BSP | L | L1 | L2 | D | D1 | SW | |
| 1/4"-19 | 1/8"-28 | 28,0 | 12,0 | 8 | 6,0 | 4,5 | 19 | 1050510-04-02 |
| 3/8"-19 | 1/8"-28 | 30,5 | 12,0 | 8 | 9,0 | 4,5 | 22 | 1050510-06-02 |
| 3/8"-19 | 1/4"-19 | 33,0 | 12,0 | 11 | 9,0 | 7,0 | 22 | 1050510-06-04 |
| 1/2"-14 | 1/4"-19 | 38,0 | 14,0 | 11 | 12,5 | 7,0 | 27 | 1050510-08-04 |
| 1/2"-14 | 3/8"-19 | 40,0 | 14,0 | 12 | 13,0 | 9,0 | 27 | 1050510-08-06 |
| 5/8"-14 | 3/8"-19 | 39,6 | 16,0 | 12 | 14,5 | 8,0 | 30 | 1050510-10-06 |
| 5/8"-14 | 1/2"-14 | 42,0 | 16,0 | 14 | 14,5 | 11,5 | 30 | 1050510-10-08 |
| 3/4"-14 | 1/4"-19 | 39,5 | 16,0 | 10 | 18,0 | 6,0 | 32 | 1050510-12-04 |
| 3/4"-14 | 3/8"-19 | 41,0 | 16,0 | 12 | 18,0 | 9,0 | 32 | 1050510-12-06 |
| 3/4"-14 | 1/2"-14 | 45,0 | 16,0 | 14 | 18,0 | 13,0 | 32 | 1050510-12-08 |
| 3/4"-14 | 5/8"-14 | 45,0 | 16,0 | 16 | 17,0 | 14,5 | 32 | 1050510-12-10 |
| 1"-11 | 3/8"-19 | 47,0 | 18,0 | 12 | 23,0 | 9,0 | 41 | 1050510-16-06 |
| 1"-11 | 1/2"-14 | 48,0 | 18,0 | 14 | 23,5 | 13,0 | 41 | 1050510-16-08 |
| 1"-11 | 3/4"-14 | 53,0 | 18,0 | 16 | 23,5 | 17,0 | 41 | 1050510-16-12 |
| 1 1/4"-11 | 1/2"-14 | 51,0 | 20,0 | 14 | 30,0 | 13,0 | 50 | 1050510-20-08 |
| 1 1/4"-11 | 3/4"-14 | 53,5 | 20,0 | 16 | 30,5 | 18,0 | 50 | 1050510-20-12 |
| 1 1/4"-11 | 1"-11 | 58,0 | 20,0 | 18 | 30,5 | 23,0 | 50 | 1050510-20-16 |
| 1 1/2"-11 | 3/4"-14 | 55,0 | 22,0 | 16 | 37,0 | 17,0 | 55 | 1050510-24-12 |
| 1 1/2"-11 | 1"-11 | 57,0 | 22,0 | 18 | 37,0 | 23,5 | 55 | 1050510-24-16 |
| 1 1/2"-11 | 1 1/4"-11 | 61,0 | 22,0 | 20 | 37,0 | 30,0 | 55 | 1050510-24-20 |
| 2"-11 | 1"-11 | 59,0 | 22,0 | 18 | 43,0 | 23,5 | 70 | 1050510-32-16 |
| 2"-11 | 1 1/4"-11 | 59,0 | 22,0 | 20 | 45,0 | 30,0 | 70 | 1050510-32-20 |
| 2"-11 | 1 1/2"-11 | 61,0 | 22,0 | 22 | 45,0 | 37,0 | 70 | 1050510-32-24 |

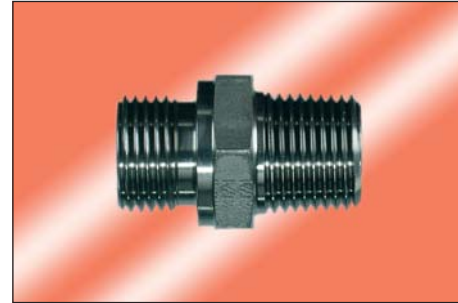
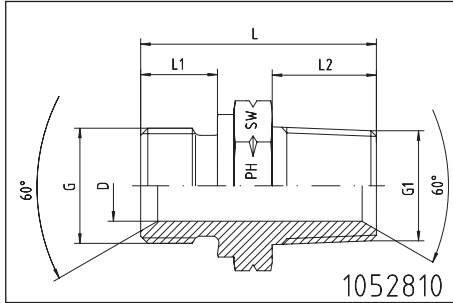
GERADE ADAPTER



STRAIGHT ADAPTORS

BSP - zylindrisch - männlich
mit 60°-Konus
NPT - männlich
mit 60°-Konus

BSP - male
with 60°-cone
NPT - male
with 60°-cone



| Gewinde Thread | | ca. Maße approx. dimensions | | | | | Bestellzeichen Order-Code BSP x NPT |
|-------------------|-------------|--------------------------------|----|------|------|----|---|
| G = BSP | G1 = NPT | L | L1 | L2 | D | SW | |
| 1/8"-28 | 1/8"-27 | 24,5 | 8 | 10,0 | 4,0 | 14 | 1052810-02-02 |
| 1/4"-19 | 1/4"-18 | 32,5 | 10 | 15,0 | 6,0 | 19 | 1052810-04-04 |
| 3/8"-19 | 3/8"-18 | 38,0 | 12 | 15,3 | 9,0 | 22 | 1052810-06-06 |
| 1/2"-14 | 1/2"-14 | 43,0 | 14 | 20,0 | 12,5 | 27 | 1052810-08-08 |
| 3/4"-14 | 3/4"-14 | 47,0 | 16 | 20,0 | 17,5 | 32 | 1052810-12-12 |
| 1"-11 | 1"-11,5 | 54,5 | 18 | 25,0 | 22,5 | 41 | 1052810-16-16 |
| 1 1/4"-11 | 1 1/4"-11,5 | 66,0 | 20 | 25,5 | 30,0 | 50 | 1052810-20-20 |
| 1 1/2"-11 | 1 1/2"-11,5 | 64,0 | 22 | 26,0 | 37,0 | 55 | 1052810-24-24 |
| 2"-11 | 2"-11,5 | 66,0 | 22 | 26,0 | 45,0 | 70 | 1052810-32-32 |
| 1/4"-19 | 1/8"-27 | 27,5 | 10 | 10,0 | 4,0 | 19 | 1052810-04-02 |
| 1/4"-19 | 3/8"-18 | 33,0 | 10 | 15,3 | 6,0 | 19 | 1052810-04-06 |
| 1/4"-19 | 1/2"-14 | 40,0 | 10 | 20,0 | 6,0 | 22 | 1052810-04-08 |
| 3/8"-19 | 1/4"-18 | 35,5 | 12 | 15,0 | 7,0 | 22 | 1052810-06-04 |
| 3/8"-19 | 1/2"-14 | 42,0 | 12 | 20,0 | 9,0 | 22 | 1052810-06-08 |
| 3/8"-19 | 3/4"-14 | 42,0 | 12 | 20,0 | 9,0 | 27 | 1052810-06-12 |
| 1/2"-14 | 1/4"-18 | 40,0 | 14 | 15,0 | 7,0 | 27 | 1052810-08-04 |
| 1/2"-14 | 3/8"-18 | 40,0 | 14 | 15,3 | 9,0 | 27 | 1052810-08-06 |
| 1/2"-14 | 3/4"-14 | 45,0 | 14 | 20,0 | 12,0 | 27 | 1052810-08-12 |
| 3/4"-14 | 1/2"-14 | 45,0 | 16 | 20,0 | 12,5 | 32 | 1052810-12-08 |
| 1"-11 | 3/4"-14 | 50,0 | 18 | 20,0 | 15,0 | 41 | 1052810-16-12 |

andere Größen auf Anfrage
other sizes on request

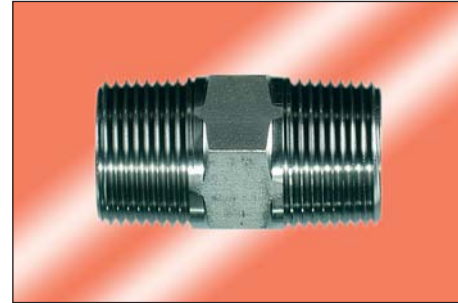
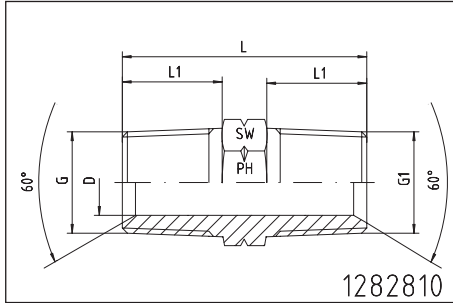
GERADE ADAPTER



STRAIGHT ADAPTORS

NPT - männlich
mit 60°-Konus

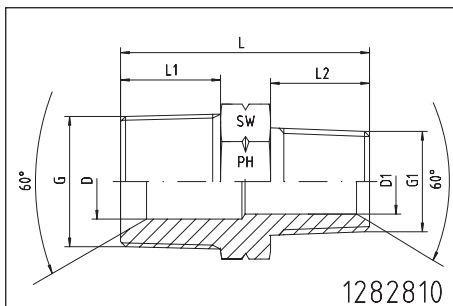
NPT - male
with 60°-cone



| Gewinde Thread | | ca. Maße approx. dimensions | | | | Bestellzeichen Order-Code |
|----------------|-------------|-----------------------------|------|------|----|---------------------------|
| G = NPT | G1 = NPT | L | L1 | D | SW | |
| 1/8"-27 | 1/8"-27 | 27,0 | 10,0 | 5,0 | 12 | 1282810-02-02 |
| 1/4"-18 | 1/4"-18 | 36,5 | 15,0 | 7,0 | 14 | 1282810-04-04 |
| 3/8"-18 | 3/8"-18 | 36,5 | 15,3 | 9,0 | 19 | 1282810-06-06 |
| 1/2"-14 | 1/2"-14 | 48,4 | 20,0 | 13,5 | 22 | 1282810-08-08 |
| 3/4"-14 | 3/4"-14 | 50,0 | 20,0 | 18,0 | 27 | 1282810-12-12 |
| 1"-11,5 | 1"-11,5 | 59,0 | 25,0 | 21,0 | 36 | 1282810-16-16 |
| 1 1/4"-11,5 | 1 1/4"-11,5 | 63,0 | 25,5 | 31,5 | 46 | 1282810-20-20 |
| 1 1/2"-11,5 | 1 1/2"-11,5 | 65,0 | 26,0 | 36,0 | 50 | 1282810-24-24 |
| 2"-11,5 | 2"-11,5 | 68,0 | 26,0 | 46,0 | 65 | 1282810-32-32 |

NPT - männlich
mit 60°-Konus

NPT - male
with 60°-cone



| Gewinde Thread | | ca. Maße approx. dimensions | | | | | Bestellzeichen Order-Code | |
|----------------|----------|-----------------------------|------|------|------|------|---------------------------|---------------|
| G = NPT | G1 = NPT | L | L1 | L2 | D | D1 | SW | |
| 1/4"-18 | 1/8"-27 | 32,0 | 15,0 | 10,0 | 7,0 | 5,0 | 14 | 1282810-04-02 |
| 3/8"-18 | 1/4"-18 | 36,5 | 15,3 | 15,0 | 7,0 | 7,0 | 19 | 1282810-06-04 |
| 1/2"-14 | 1/4"-18 | 43,0 | 20,0 | 15,0 | 7,0 | 7,0 | 22 | 1282810-08-04 |
| 1/2"-14 | 3/8"-18 | 43,7 | 20,0 | 15,3 | 13,5 | 8,0 | 22 | 1282810-08-06 |
| 3/4"-14 | 1/2"-14 | 50,0 | 20,0 | 20,0 | 18,0 | 13,5 | 27 | 1282810-12-08 |
| 1"-11,5 | 1/2"-14 | 54,0 | 25,0 | 20,0 | 21,0 | 13,5 | 36 | 1282810-16-08 |
| 1"-11,5 | 3/4"-14 | 54,2 | 25,0 | 20,0 | 21,0 | 18,0 | 36 | 1282810-16-12 |

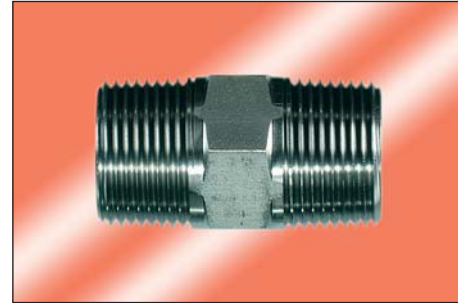
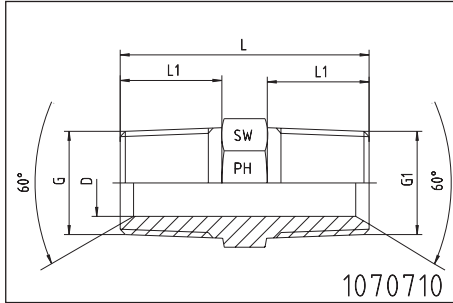
GERADE ADAPTER



STRAIGHT ADAPTORS

BSP - kegelig
BSP - kegelig

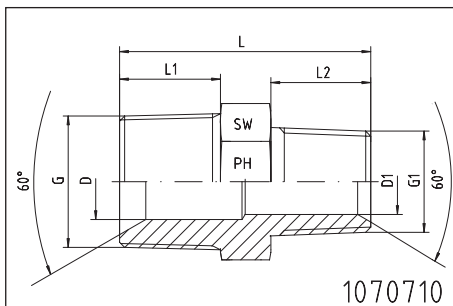
BSP - taper
BSP - taper



| Gewinde Thread | | ca. Maße approx. dimensions | | | | Bestellzeichen Order-Code |
|----------------|-----------|-----------------------------|----|------|----|---------------------------|
| G = BSPT | G1 = BSPT | L | L1 | D | SW | |
| 1/8"-28 | 1/8"-28 | 22,0 | 8 | 4,0 | 12 | 1070710-02-02 |
| 1/4"-19 | 1/4"-19 | 30,0 | 12 | 5,0 | 14 | 1070710-04-04 |
| 3/8"-19 | 3/8"-19 | 31,0 | 12 | 8,0 | 19 | 1070710-06-06 |
| 1/2"-14 | 1/2"-14 | 36,0 | 19 | 12,5 | 24 | 1070710-08-08 |
| 3/4"-14 | 3/4"-14 | 39,5 | 19 | 18,0 | 27 | 1070710-12-12 |
| 1"-11 | 1"-11 | 47,0 | 18 | 22,5 | 36 | 1070710-16-16 |
| 1 1/4"-11 | 1 1/4"-11 | 52,0 | 20 | 29,0 | 46 | 1070710-20-20 |
| 1 1/2"-11 | 1 1/2"-11 | 58,0 | 22 | 33,5 | 50 | 1070710-24-24 |
| 2"-11 | 2"-11 | 68,0 | 26 | 46,0 | 65 | 1070710-32-32 |

BSP - kegelig
BSP - kegelig

BSP - taper
BSP - taper



| Gewinde Thread | | ca. Maße approx. dimensions | | | | | Bestellzeichen Order-Code |
|----------------|-----------|-----------------------------|----|----|------|------|---------------------------|
| G = BSPT | G1 = BSPT | L | L1 | L2 | D | D1 | SW |
| 1/4"-19 | 1/8"-28 | 26,0 | 12 | 8 | 5,0 | 5,0 | 14 |
| 3/8"-19 | 1/4"-19 | 31,0 | 12 | 12 | 8,0 | 8,0 | 19 |
| 1/2"-14 | 3/8"-19 | 34,0 | 19 | 12 | 11,5 | 8,0 | 24 |
| 3/4"-14 | 1/2"-14 | 39,0 | 19 | 19 | 17,0 | 11,5 | 27 |
| 1"-11 | 3/4"-14 | 45,0 | 18 | 19 | 22,5 | 17,0 | 36 |
| 1 1/4"-11 | 1"-11 | 50,0 | 20 | 18 | 29,0 | 22,5 | 46 |
| 1 1/2"-11 | 1 1/4"-11 | 56,0 | 22 | 20 | 33,5 | 33,5 | 50 |

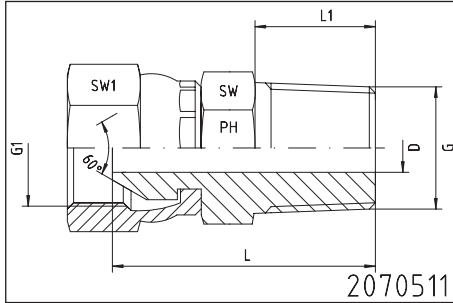
GERADE ADAPTER



STRAIGHT ADAPTORS

BSP - weiblich
mit drehbarer Mutter für 60°-Gegenkonus
BSP - kegelig - männlich

BSP - female
with swivel nut for 60°-connection
BSPT - taper - male

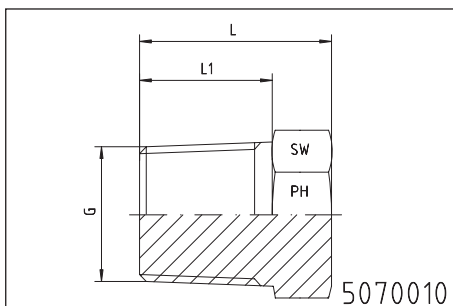


| Gewinde Thread | | ca. Maße approx. dimensions | | | | | Bestellzeichen Order-Code |
|----------------|-----------|-----------------------------|----|------|----|-----|---------------------------|
| G1 = BSP | G = BSPT | L | L1 | D | SW | SW1 | |
| 1/8"-28 | 1/8"-28 | 23,0 | 8 | 4,0 | 12 | 14 | 2070511-02-02 |
| 1/4"-19 | 1/4"-19 | 28,0 | 12 | 5,0 | 14 | 19 | 2070511-04-04 |
| 3/8"-19 | 3/8"-19 | 30,6 | 12 | 8,0 | 19 | 22 | 2070511-06-06 |
| 1/2"-14 | 1/2"-14 | 42,0 | 19 | 9,5 | 24 | 27 | 2070511-08-08 |
| 3/4"-14 | 3/4"-14 | 43,0 | 19 | 16,5 | 30 | 32 | 2070511-12-12 |
| 1"-11 | 1"-11 | 44,3 | 18 | 22,5 | 36 | 41 | 2070511-16-16 |
| 1 1/4"-11 | 1 1/4"-11 | 51,9 | 20 | 29,0 | 45 | 50 | 2070511-20-20 |
| 1 1/2"-11 | 1 1/2"-11 | 54,6 | 22 | 33,5 | 50 | 55 | 2070511-24-24 |
| 2"-11 | 2"-11 | 57,9 | 26 | 46,0 | 65 | 70 | 2070511-32-32 |

VERSCHLUSS-STOPFEN

BSPT-TAPER-PLUG

BSP - kegelig



| Gewinde Thread | ca. Maße approx. dimensions | | | Bestellzeichen Order-Code |
|----------------|-----------------------------|----|----|---------------------------|
| | G = BSPT | L | L1 | |
| 1/8"-28 | 14 | 8 | 12 | 5070010-02 |
| 1/4"-19 | 18 | 12 | 14 | 5070010-04 |
| 3/8"-19 | 19 | 12 | 17 | 5070010-06 |
| 1/2"-14 | 27 | 19 | 22 | 5070010-08 |
| 3/4"-14 | 29 | 19 | 27 | 5070010-12 |
| 1"-11 | 29 | 18 | 36 | 5070010-16 |
| 1 1/4"-11 | 32 | 20 | 46 | 5070010-20 |
| 1 1/2"-11 | 36 | 22 | 50 | 5070010-24 |
| 2"-11 | 40 | 26 | 65 | 5070010-32 |

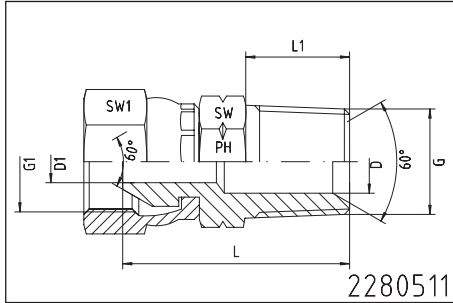
GERADE ADAPTER



STRAIGHT ADAPTORS

BSP - weiblich
mit drehbarer Mutter für 60°-Gegenanschluss
NPT - männlich

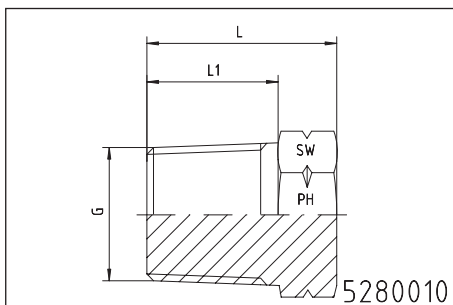
BSP - female
with swivel nut for 60°-connection
NPT - male



| Gewinde Thread | | ca. Maße approx. dimensions | | | | | | Bestellzeichen Order-Code BSP x NPT | |
|----------------|-------------|-----------------------------|------|------|------|----|-----|-------------------------------------|--|
| G1 = BSP | G = NPT | L | L1 | D | D1 | SW | SW1 | | |
| 1/8"-28 | 1/8"-27 | | 10,0 | | | | | 2280511-02-02 | |
| 1/4"-19 | 1/4"-18 | 32,0 | 15,0 | 7,0 | 5,0 | 14 | 19 | 2280511-04-04 | |
| 3/8"-19 | 3/8"-18 | 33,0 | 15,3 | 10,0 | 8,0 | 19 | 22 | 2280511-06-06 | |
| 1/2"-14 | 1/2"-14 | 42,0 | 20,0 | 13,5 | 9,5 | 22 | 27 | 2280511-08-08 | |
| 3/4"-14 | 3/4"-14 | 43,0 | 20,0 | 16,5 | 16,5 | 27 | 32 | 2280511-12-12 | |
| 1"-11 | 1"-11 | 49,5 | 25,0 | 24,0 | 21,0 | 36 | 41 | 2280511-16-16 | |
| 1 1/4"-11 | 1 1/4"-11,5 | 53,0 | 25,5 | 28,0 | 28,0 | 46 | 50 | 2280511-20-20 | |
| 1 1/2"-11 | 1 1/2"-11,5 | 57,0 | 26,0 | 32,5 | 32,5 | 50 | 55 | 2280511-24-24 | |
| 2"-11 | 2"-11,5 | | 26,0 | | | 65 | 70 | 2280511-32-32 | |
| 3/8"-19 | 1/4"-18 | 33,6 | 15,0 | 7,0 | 7,0 | 17 | 22 | 2280511-06-04 | |
| 1/4"-19 | 3/8"-18 | 32,0 | 15,3 | 10,3 | 5,0 | 19 | 19 | 2280511-04-06 | |
| 1/2"-14 | 3/8"-18 | 34,8 | 15,3 | 10,3 | 9,5 | 19 | 27 | 2280511-08-06 | |
| 3/8"-19 | 1/2"-14 | 40,8 | 20,0 | 13,5 | 8,0 | 22 | 22 | 2280511-06-08 | |
| 1/2"-14 | 3/4"-14 | 41,0 | 20,0 | 16,5 | 9,5 | 27 | 27 | 2280511-08-12 | |
| 3/4"-14 | 1"-11,5 | | 25,0 | | | 36 | 32 | 2280511-12-16 | |

VERSCHLUSS-STOPFEN - NPT

NPT-PLUG



| Gewinde Thread | ca. Maße approx. dimensions | | | Bestellzeichen Order-Code |
|----------------|-----------------------------|------|----|---------------------------|
| G = NPT | L | L1 | SW | |
| 1/8"-27 | 15 | 10,0 | 12 | 5280010-02 |
| 1/4"-18 | 20 | 15,0 | 14 | 5280010-04 |
| 3/8"-18 | 22 | 15,3 | 17 | 5280010-06 |
| 1/2"-14 | 27 | 20,0 | 22 | 5280010-08 |
| 3/4"-14 | 29 | 20,0 | 27 | 5280010-12 |
| 1"-11,5 | 33 | 25,0 | 36 | 5280010-16 |
| 1 1/4"-11,5 | 33 | 25,5 | 46 | 5280010-20 |
| 1 1/2"-11,5 | 41 | 26,0 | 50 | 5280010-24 |
| 2"-11,5 | 44 | 26,0 | 65 | 5280010-32 |

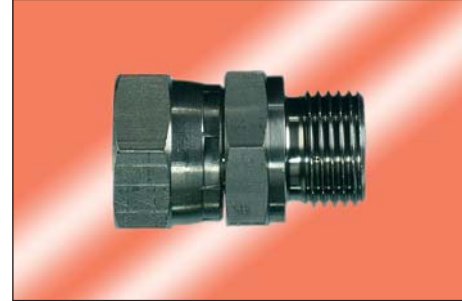
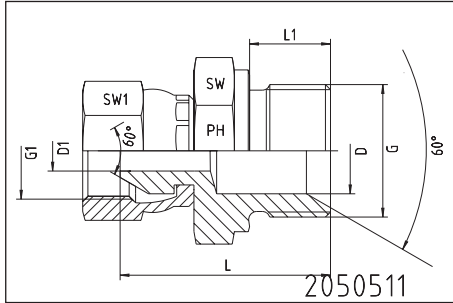
GERADE ADAPTER



STRAIGHT ADAPTORS

BSP - weiblich
mit drehbarer Mutter
BSP - männlich
mit 60°-Konus und angedrehter Dichtkante Form B

BSP - female
with swivel nut
BSP - male
with 60°-cone and sealing shoulder form B



| Gewinde Thread | | ca. Maße approx. dimensions | | | | | | | Bestellzeichen Order-Code G1 x G |
|-------------------|-----------|--------------------------------|----|------|------|----|-----|---------------|--|
| G1 | G | L | L1 | D | D1 | SW | SW1 | | |
| 1/8"-28 | 1/8"-28 | 23,5 | 8 | 4,0 | 4,0 | 14 | 14 | 2050511-02-02 | |
| 1/4"-19 | 1/8"-28 | 27,0 | 8 | 4,0 | 4,0 | 14 | 19 | 2050511-04-02 | |
| 3/8"-19 | 1/8"-28 | 26,0 | 8 | 4,5 | 4,5 | 17 | 19 | 2050511-06-02 | |
| 1/8"-28 | 1/4"-19 | 27,5 | 12 | 4,0 | 4,0 | 19 | 14 | 2050511-02-04 | |
| 1/4"-19 | 1/4"-19 | 30,0 | 12 | 5,0 | 5,0 | 19 | 19 | 2050511-04-04 | |
| 3/8"-19 | 1/4"-19 | 31,5 | 12 | 5,0 | 8,0 | 19 | 22 | 2050511-06-04 | |
| 1/2"-14 | 1/4"-19 | 31,5 | 12 | 5,0 | 11,0 | 19 | 27 | 2050511-08-04 | |
| 1/4"-19 | 3/8"-19 | 31,5 | 12 | 9,0 | 5,0 | 22 | 19 | 2050511-04-06 | |
| 3/8"-19 | 3/8"-19 | 32,5 | 12 | 8,0 | 8,0 | 22 | 22 | 2050511-06-06 | |
| 1/2"-14 | 3/8"-19 | 32,5 | 12 | 9,0 | 9,0 | 22 | 27 | 2050511-08-06 | |
| 1/4"-19 | 1/2"-14 | 35,5 | 14 | 11,5 | 5,0 | 27 | 19 | 2050511-04-08 | |
| 3/8"-19 | 1/2"-14 | 37,0 | 14 | 11,5 | 8,0 | 27 | 22 | 2050511-06-08 | |
| 1/2"-14 | 1/2"-14 | 36,0 | 14 | 11,0 | 11,0 | 27 | 27 | 2050511-08-08 | |
| 3/4"-14 | 1/2"-14 | 42,0 | 14 | 11,5 | 16,0 | 27 | 32 | 2050511-12-08 | |
| 1/2"-14 | 3/4"-14 | 39,5 | 16 | 11,0 | 11,0 | 32 | 27 | 2050511-08-12 | |
| 3/4"-14 | 3/4"-14 | 41,0 | 16 | 16,5 | 16,5 | 32 | 32 | 2050511-12-12 | |
| 1"-11 | 3/4"-14 | 44,0 | 18 | 17,0 | 22,0 | 32 | 41 | 2050511-16-12 | |
| 3/4"-14 | 1"-11 | 45,0 | 18 | 22,5 | 16,5 | 41 | 32 | 2050511-12-16 | |
| 1"-11 | 1"-11 | 45,5 | 18 | 22,0 | 22,0 | 41 | 41 | 2050511-16-16 | |
| 1 1/4"-11 | 1"-11 | 53,0 | 18 | 22,0 | 22,0 | 41 | 50 | 2050511-20-16 | |
| 1"-11 | 1 1/4"-11 | 49,5 | 20 | 29,0 | 22,5 | 50 | 41 | 2050511-16-20 | |
| 1 1/4"-11 | 1 1/4"-11 | 48,5 | 20 | 28,0 | 28,0 | 50 | 50 | 2050511-20-20 | |
| 1 1/2"-11 | 1 1/2"-11 | 53,0 | 22 | 33,0 | 33,0 | 55 | 55 | 2050511-24-24 | |
| 2"-11 | 2"-11 | 72,0 | 23 | 42,0 | 42,0 | 70 | 70 | 2050511-32-32 | |

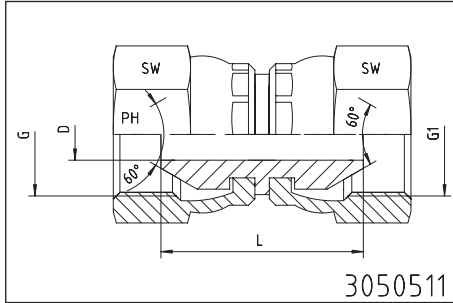
GERADE ADAPTER - DKR



STRAIGHT ADAPTORS - DKR

weiblich - BSP - BSP
mit drehbarer Mutter an beiden Seiten

female - BSP - BSP
with swivel nut at both sides



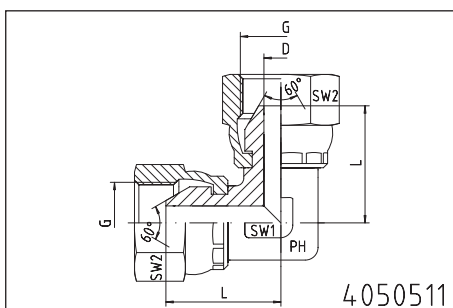
| Gewinde Thread | | ca. Maße approx. dimensions | | | Bestellzeichen Order-Code |
|----------------|-----------|-----------------------------|------|----|---------------------------|
| G | G1 | L | D | SW | |
| 1/8"-28 | 1/8"-28 | 21 | 4,0 | 14 | 3050511-02-02 |
| 1/4"-19 | 1/4"-19 | 26 | 5,0 | 19 | 3050511-04-04 |
| 3/8"-19 | 3/8"-19 | 30 | 8,0 | 22 | 3050511-06-06 |
| 1/2"-14 | 1/2"-14 | 29 | 11,0 | 27 | 3050511-08-08 |
| 3/4"-14 | 3/4"-14 | 34 | 16,5 | 32 | 3050511-12-12 |
| 1"-11 | 1"-11 | 36 | 22,0 | 41 | 3050511-16-16 |
| 1 1/4"-11 | 1 1/4"-11 | 38 | 28,0 | 50 | 3050511-20-20 |
| 1 1/2"-11 | 1 1/2"-11 | 51 | 34,0 | 55 | 3050511-24-24 |
| 2"-11 | 2"-11 | 66 | 42,0 | 70 | 3050511-32-32 |

WINKEL-ADAPTER - DKR

ELBOW-ADAPTORS - DKR

weiblich - BSP - BSP
mit drehbarer Mutter an beiden Seiten

female - BSP - BSP
with swivel nut at both sides



| Gewinde Thread G | ca. Maße approx. dimensions | | | | Bestellzeichen Order-Code |
|------------------|-----------------------------|------|-----|-----|---------------------------|
| | L | D | SW1 | SW2 | |
| 1/8"-28 | 18,0 | 4,0 | 12 | 14 | 4050511-02 |
| 1/4"-19 | 23,5 | 6,0 | 14 | 19 | 4050511-04 |
| 3/8"-19 | 25,5 | 8,0 | 17 | 22 | 4050511-06 |
| 1/2"-14 | 29,5 | 11,0 | 19 | 27 | 4050511-08 |
| 3/4"-14 | 37,0 | 16,0 | 27 | 32 | 4050511-12 |
| 1"-11 | 43,0 | 22,0 | 36 | 41 | 4050511-16 |
| 1 1/4"-11 | 51,0 | 28,0 | 41 | 50 | 4050511-20 |
| 1 1/2"-11 | 50,0 | 33,5 | 50 | 55 | 4050511-24 |
| 2"-11 | | | | 70 | 4050511-32 |

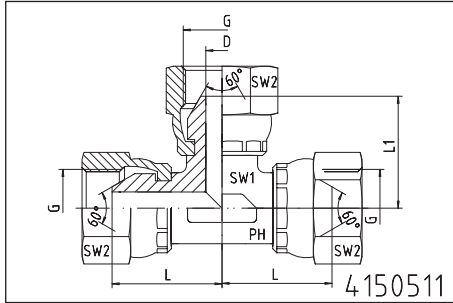
T-ADAPTER - DKR



T-ADAPTORS - DKR

weiblich - BSP - BSP - BSP
mit drehbarer Mutter an allen Seiten

female - BSP - BSP - BSP
with swivel nut at all sides



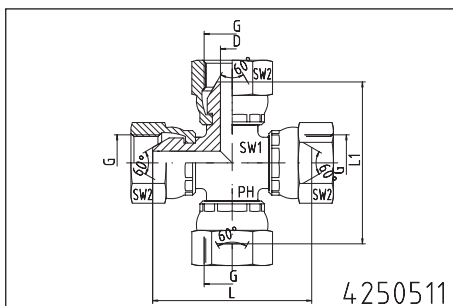
| Gewinde Thread G | ca. Maße approx. dimensions | | | | | Bestellzeichen Order-Code |
|------------------------|--------------------------------|------|------|-----|-----|------------------------------|
| | L | L1 | D | SW1 | SW2 | |
| 1/8"-28 | 18,0 | 18,0 | 4,0 | 12 | 14 | 4150511-02 |
| 1/4"-19 | 23,5 | 23,5 | 6,0 | 14 | 19 | 4150511-04 |
| 3/8"-19 | 25,5 | 25,5 | 8,0 | 17 | 22 | 4150511-06 |
| 1/2"-14 | 29,5 | 29,5 | 11,0 | 19 | 27 | 4150511-08 |
| 3/4"-14 | 37,0 | 37,0 | 16,0 | 27 | 32 | 4150511-12 |
| 1"-11 | 43,0 | 43,0 | 22,0 | 36 | 41 | 4150511-16 |
| 1 1/4"-11 | 51,0 | 51,0 | 28,0 | 41 | 50 | 4150511-20 |
| 1 1/2"-11 | 50,0 | 50,0 | 33,5 | 50 | 55 | 4150511-24 |
| 2"-11 | | | | | 70 | 4150511-32 |

K-ADAPTER - DKR

K-ADAPTORS - DKR

weiblich - BSP - alle Seiten
mit drehbarer Mutter an allen Seiten

female - BSP - all sides
with swivel nut at all sides



| Gewinde Thread G | ca. Maße approx. dimensions | | | | | Bestellzeichen Order-Code |
|------------------------|--------------------------------|----|---|-----|-----|------------------------------|
| | L | L1 | D | SW1 | SW2 | |
| 1/8"-28 | | | | | | 4250511-02 |
| 1/4"-19 | | | | | 19 | 4250511-04 |
| 3/8"-19 | | | | | 22 | 4250511-06 |
| 1/2"-14 | | | | | 27 | 4250611-08 |
| 3/4"-14 | | | | | 32 | 4250511-12 |
| 1"-11 | | | | | 41 | 4250511-16 |
| 1 1/4"-11 | | | | | 50 | 4250511-20 |
| 1 1/2"-11 | | | | | 55 | 4250511-24 |
| 2"-11 | | | | | 70 | 4250511-32 |

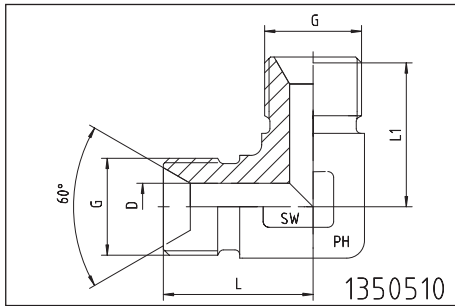
WINKEL-ADAPTER



ELBOW-ADAPTORS

männlich - BSP - BSP

male - BSP - BSP



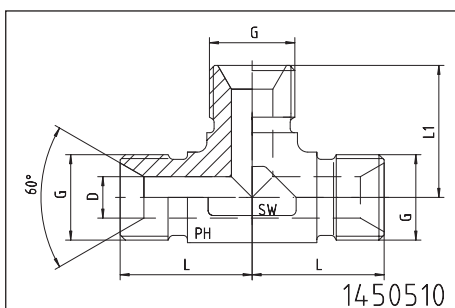
| Gewinde Thread G | ca. Maße approx. dimensions | | | | Bestellzeichen Order-Code |
|------------------------|--------------------------------|------|------|----|------------------------------|
| | L | L1 | D | SW | |
| 1/8"-28 | 20,0 | 20,0 | 4,0 | 12 | 1350510-02 |
| 1/4"-19 | 24,5 | 24,5 | 6,0 | 14 | 1350510-04 |
| 3/8"-19 | 25,5 | 25,5 | 8,0 | 17 | 1350510-06 |
| 1/2"-14 | 29,5 | 29,5 | 11,0 | 19 | 1350510-08 |
| 3/4"-14 | 37,0 | 37,0 | 16,0 | 27 | 1350510-12 |
| 1"-11 | 43,0 | 43,0 | 22,0 | 36 | 1350510-16 |
| 1 1/4"-11 | 51,0 | 51,0 | 28,5 | 41 | 1350510-20 |
| 1 1/2"-11 | 59,0 | 59,0 | 33,5 | 50 | 1350510-24 |
| 2"-11 | | | | | 1350510-32 |

T-ADAPTER

T-ADAPTORS

männlich - BSP - BSP - BSP

male - BSP - BSP - BSP



| Gewinde Thread G | ca. Maße approx. dimensions | | | | Bestellzeichen Order-Code |
|------------------------|--------------------------------|------|------|----|------------------------------|
| | L | L1 | D | SW | |
| 1/8"-28 | 20,0 | 20,0 | 4,0 | 12 | 1450510-02 |
| 1/4"-19 | 24,5 | 24,5 | 6,0 | 14 | 1450510-04 |
| 3/8"-19 | 25,5 | 25,5 | 8,0 | 17 | 1450510-06 |
| 1/2"-14 | 29,5 | 29,5 | 11,0 | 19 | 1450510-08 |
| 3/4"-14 | 37,0 | 37,0 | 16,0 | 27 | 1450510-12 |
| 1"-11 | 43,0 | 43,0 | 22,0 | 36 | 1450510-16 |
| 1 1/4"-11 | 51,0 | 51,0 | 28,5 | 41 | 1450510-20 |
| 1 1/2"-11 | 59,0 | 59,0 | 33,5 | 50 | 1450510-24 |
| 2"-11 | | | | | 1450510-32 |

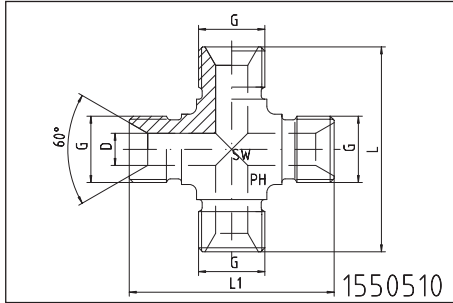
KREUZ-ADAPTER



CROSS-ADAPTORS

männlich - BSP - alle Seiten

male - BSP - all sides



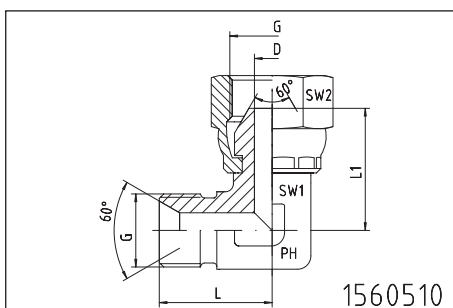
| Gewinde Thread G | ca. Maße approx. dimensions | | | | Bestellzeichen Order-Code |
|------------------------|--------------------------------|----|---|----|------------------------------|
| | L | L1 | D | SW | |
| 1/8"-28 | | | | | 1550510-02 |
| 1/4"-19 | | | | | 1550510-04 |
| 3/8"-19 | | | | | 1550510-06 |
| 1/2"-14 | | | | | 1550510-08 |
| 3/4"-14 | | | | | 1550510-12 |
| 1"-11 | | | | | 1550510-16 |
| 1 1/4"-11 | | | | | 1550510-20 |
| 1 1/2"-11 | | | | | 1550510-24 |
| 2"-11 | | | | | 1550510-32 |

WE-KOMPAKT-WINKEL-ADAPTER

WE-BLOCK-ELBOW-ADAPTORS

männlich - starr
weiblich - mit drehbarer Mutter

male - fixed
female - with swivel nut



| Gewinde Thread G | ca. Maße approx. dimensions | | | | | Bestellzeichen Order-Code |
|------------------------|--------------------------------|------|------|-----|-----|------------------------------|
| | L | L1 | D | SW1 | SW2 | |
| 1/8"-28 | 20,0 | 18,0 | 4,0 | 12 | 14 | 1560510-02 |
| 1/4"-19 | 24,5 | 23,5 | 6,0 | 14 | 19 | 1560510-04 |
| 3/8"-19 | 25,5 | 25,5 | 8,0 | 17 | 22 | 1560510-06 |
| 1/2"-14 | 29,5 | 29,5 | 11,0 | 19 | 27 | 1560510-08 |
| 3/4"-14 | 37,0 | 37,0 | 16,0 | 27 | 32 | 1560510-12 |
| 1"-11 | 43,0 | 43,0 | 22,0 | 36 | 41 | 1560510-16 |
| 1 1/4"-11 | 51,0 | 51,0 | 28,0 | 41 | 50 | 1560510-20 |
| 1 1/2"-11 | 59,0 | 50,0 | 33,5 | 50 | 55 | 1560510-24 |
| 2"-11 | | | | | | 1560510-32 |

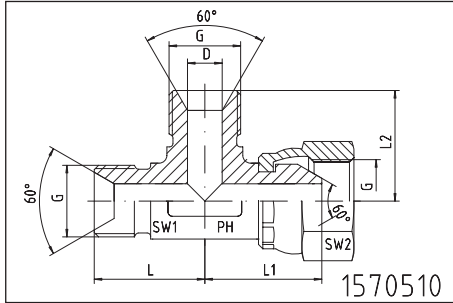
LE-ADAPTER



LE-ADAPTORS

männlich - starr - BSP
weiblich - drehbar - BSP

male - fixed - BSP
female - swivel - BSP



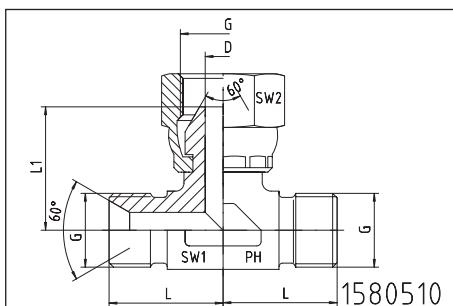
| Gewinde Thread G | ca. Maße approx. dimensions | | | | | | Bestellzeichen Order-Code |
|------------------------|--------------------------------|------|------|------|-----|-----|------------------------------|
| | L | L1 | L2 | D | SW1 | SW2 | |
| 1/8"-28 | 20,0 | 18,0 | 20,0 | 4,0 | 12 | 14 | 1570510-02 |
| 1/4"-19 | 24,5 | 24,5 | 24,5 | 6,0 | 14 | 19 | 1570510-04 |
| 3/8"-19 | 25,5 | 25,5 | 25,5 | 8,0 | 17 | 22 | 1570510-06 |
| 1/2"-14 | 29,5 | 29,5 | 29,5 | 11,0 | 19 | 27 | 1570510-08 |
| 3/4"-14 | 37,0 | 37,0 | 37,0 | 16,0 | 27 | 32 | 1570510-12 |
| 1"-11 | 43,0 | 43,0 | 43,0 | 22,0 | 36 | 41 | 1570510-16 |
| 1 1/4"-11 | 51,0 | 51,0 | 51,0 | 28,0 | 41 | 50 | 1570510-20 |
| 1 1/2"-11 | 59,0 | 50,0 | 59,0 | 33,5 | 50 | 55 | 1570510-24 |
| 2"-11 | | | | | | | 1570510-32 |

TE-ADAPTER

TE-ADAPTORS

männlich - starr - BSP
weiblich - drehbar - BSP

male - fixed - BSP
female - swivel - BSP



| Gewinde Thread G | ca. Maße approx. dimensions | | | | | Bestellzeichen Order-Code |
|------------------------|--------------------------------|------|------|-----|-----|------------------------------|
| | L | L1 | D | SW1 | SW2 | |
| 1/8"-28 | 20,0 | 18,0 | 4,0 | 12 | 14 | 1580510-02 |
| 1/4"-19 | 24,5 | 23,5 | 6,0 | 14 | 19 | 1580510-04 |
| 3/8"-19 | 25,5 | 25,5 | 8,0 | 17 | 22 | 1580510-06 |
| 1/2"-14 | 29,5 | 29,5 | 11,0 | 19 | 27 | 1580510-08 |
| 3/4"-14 | 37,0 | 37,0 | 16,0 | 27 | 32 | 1580510-12 |
| 1"-11 | 43,0 | 43,0 | 22,0 | 36 | 41 | 1580510-16 |
| 1 1/4"-11 | 51,0 | 51,0 | 28,0 | 41 | 50 | 1580510-20 |
| 1 1/2"-11 | 59,0 | 50,0 | 33,5 | 50 | 55 | 1580510-24 |
| 2"-11 | | | | | | 1580510-32 |

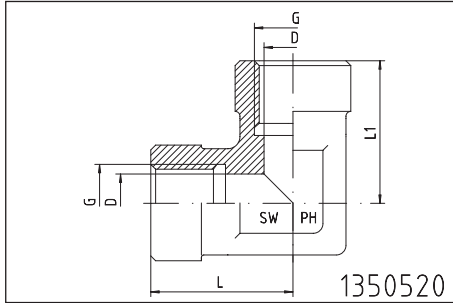
WINKEL-ADAPTER



ELBOW-ADAPTORS

weiblich - BSP zylindrisch - BSP zylindrisch

female - BSP parallel - BSP parallel - fixed



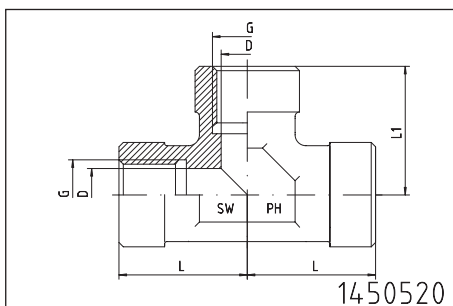
| Gewinde Thread G | ca. Maße approx. dimensions | | | | Bestellzeichen Order-Code |
|------------------------|--------------------------------|----|---|----|------------------------------|
| | L | L1 | D | SW | |
| 1/8"-28 | | | | | 1350520-02 |
| 1/4"-19 | | | | | 1350520-04 |
| 3/8"-19 | | | | | 1350520-06 |
| 1/2"-14 | | | | | 1350520-08 |
| 3/4"-14 | | | | | 1350520-12 |
| 1"-11 | | | | | 1350520-16 |
| 1 1/4"-11 | | | | | 1350520-20 |
| 1 1/2"-11 | | | | | 1350520-24 |
| 2"-11 | | | | | 1350520-32 |

T-ADAPTER

T-ADAPTORS

weiblich - BSP zylindrisch - BSP zylindrisch -
BSP zylindrisch

female - BSP parallel - BSP parallel - BSP parallel - fixed



| Gewinde Thread G | ca. Maße approx. dimensions | | | | Bestellzeichen Order-Code |
|------------------------|--------------------------------|----|---|----|------------------------------|
| | L | L1 | D | SW | |
| 1/8"-28 | | | | | 1450520-02 |
| 1/4"-19 | | | | | 1450520-04 |
| 3/8"-19 | | | | | 1450520-06 |
| 1/2"-14 | | | | | 1450520-08 |
| 3/4"-14 | | | | | 1450520-12 |
| 1"-11 | | | | | 1450520-16 |
| 1 1/4"-11 | | | | | 1450520-20 |
| 1 1/2"-11 | | | | | 1450520-24 |
| 2"-11 | | | | | 1450520-32 |

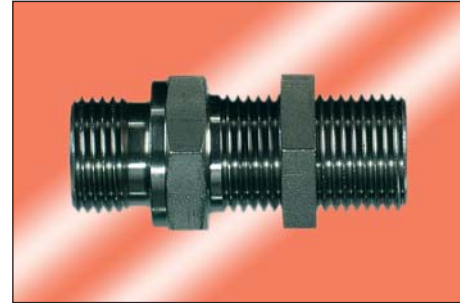
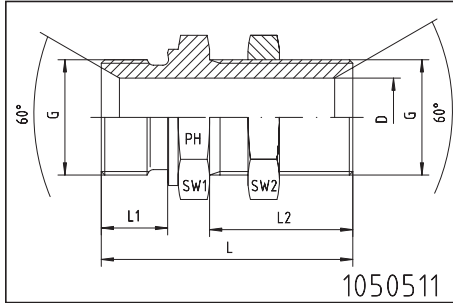
GERADE SCHOTT-ADAPTER



STRAIGHT BULKHEAD ADAPTORS

BSP - BSP
Schottausführung
mit Kontermutter und 60°-Konus

BSP male - BSP male
both sides with 60°-cone and backnut



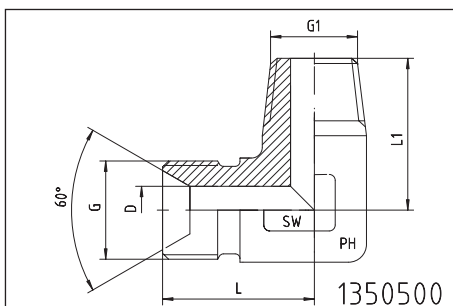
| Gewinde Thread G | ca. Maße approx. dimensions | | | | | | Bestellzeichen Order-Code |
|------------------------|--------------------------------|----|----|------|-----|-----|------------------------------|
| | L | L1 | L2 | D | SW1 | SW2 | |
| 1/8"-28 | 42,5 | 8 | 28 | 4,5 | 14 | 14 | 1050511-02 |
| 1/4"-19 | 46,0 | 11 | 28 | 6,0 | 19 | 19 | 1050511-04 |
| 3/8"-19 | 52,0 | 12 | 32 | 8,0 | 22 | 22 | 1050511-06 |
| 1/2"-14 | 59,0 | 14 | 35 | 11,0 | 27 | 27 | 1050511-08 |
| 5/8"-14 | 63,0 | 16 | 35 | 14,5 | 30 | 30 | 1050511-10 |
| 3/4"-14 | 66,0 | 16 | 38 | 16,5 | 32 | 32 | 1050511-12 |
| 1"-11 | 72,0 | 19 | 41 | 22,5 | 41 | 41 | 1050511-16 |
| 1 1/4"-11 | 78,0 | 20 | 44 | 30,5 | 50 | 50 | 1050511-20 |
| 1 1/2"-11 | 84,0 | 22 | 48 | 37,0 | 55 | 55 | 1050511-24 |
| 2"-11 | 91,0 | 23 | 48 | 46,0 | 70 | 70 | 1050511-32 |

WINKEL-ADAPTER

ELBOW-ADAPTORS

BSP - zylindrisch - männlich
mit 60°-Konus
BSP - kegelig - männlich

BSP male
with 60°-cone
BSP - taper - male



| Gewinde Thread | | ca. Maße approx. dimensions | | | | Bestellzeichen Order-Code |
|-------------------|-----------|--------------------------------|----|---|----|------------------------------|
| G = BSP zyl. | G1 = keg. | L | L1 | D | SW | |
| 1/8"-28 | 1/8"-28 | | | | | 1350500-02 |
| 1/4"-19 | 1/4"-19 | | | | | 1350500-04 |
| 3/8"-19 | 3/8"-19 | | | | | 1350500-06 |
| 1/2"-14 | 1/2"-14 | | | | | 1350500-08 |
| 3/4"-14 | 3/4"-14 | | | | | 1350500-12 |
| 1"-11 | 1"-11 | | | | | 1350500-16 |
| 1 1/4"-11 | 1 1/4"-11 | | | | | 1350500-20 |
| 1 1/2"-11 | 1 1/2"-11 | | | | | 1350500-24 |
| 2"-11 | 2"-11 | | | | | 1350500-32 |

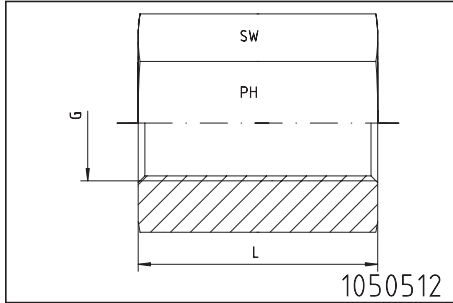
SECHSKANT-MUFFEN



HEXAGON SOCKETS

für Hochdruck
Gewinde: BSP - zylindrisch

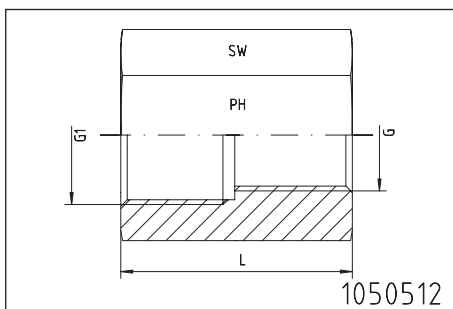
for high pressure
Thread: BSPP



| Druck Pressure PN | Gewinde Thread G | ca. Maße approx. dimensions | | Bestellzeichen Order-Code |
|-------------------------|------------------------|--------------------------------|----|------------------------------|
| | | L | SW | |
| 630 | 1/8"-28 | 18 | 14 | 1050512-02-02 |
| 630 | 1/4"-19 | 25 | 17 | 1050512-04-04 |
| 630 | 3/8"-19 | 26 | 22 | 1050512-06-06 |
| 400 | 1/2"-14 | 34 | 27 | 1050512-08-08 |
| 400 | 3/4"-14 | 36 | 32 | 1050512-12-12 |
| 400 | 1"-11 | 43 | 41 | 1050512-16-16 |
| 315 | 1 1/4"-11 | 48 | 50 | 1050512-20-20 |
| 315 | 1 1/2"-11 | 48 | 55 | 1050512-24-24 |
| 250 | 2"-11 | 56 | 70 | 1050512-32-32 |

für Hochdruck
Gewinde: BSP - zylindrisch

for high pressure
Thread: BSPP



| Druck Pressure PN | Gewinde Thread G1 x G | ca. Maße approx. dimensions | | Bestellzeichen Order-Code |
|-------------------------|-----------------------------|--------------------------------|----|------------------------------|
| | | L | SW | |
| 630 | 1/4" x 1/8" | 25 | 17 | 1050512-04-02 |
| 630 | 3/8" x 1/4" | 32 | 22 | 1050512-06-04 |
| 400 | 1/2" x 3/8" | 35 | 27 | 1050512-08-06 |
| 400 | 1/2" x 1/4" | 35 | 27 | 1050512-08-04 |
| 400 | 3/4" x 1/2" | 38 | 32 | 1050512-12-08 |
| 400 | 3/4" x 3/8" | 38 | 32 | 1050512-12-06 |
| 400 | 1" x 3/4" | 42 | 41 | 1050512-16-12 |
| 400 | 1" x 1/2" | 42 | 41 | 1050512-16-08 |
| 315 | 1 1/4" x 1" | 48 | 50 | 1050512-20-16 |
| 315 | 1 1/2" x 1 1/4" | 48 | 55 | 1050512-24-20 |
| 250 | 2" x 1 1/2" | 56 | 70 | 1050512-32-24 |

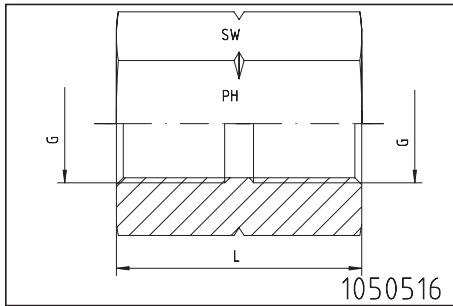
SECHSKANT-MUFFEN



HEXAGON SOCKETS

für Hochdruck
NPT-Innengewinde

for high pressure
NPT-internal thread



| Druck Pressure PN | Gewinde Thread G = NPT | ca. Maße approx. dimensions | | Bestellzeichen Order-Code |
|-------------------------|------------------------------|--------------------------------|----|------------------------------|
| | | L | SW | |
| 630 | 1/8"-27 | 18 | 14 | 1050516-02 |
| 630 | 1/4"-18 | 25 | 17 | 1050516-04 |
| 630 | 3/8"-18 | 26 | 22 | 1050516-06 |
| 630 | 1/2"-14 | 34 | 27 | 1050516-08 |
| 400 | 3/4"-14 | 36 | 32 | 1050516-12 |
| 400 | 1"-11,5 | 43 | 41 | 1050516-16 |
| 400 | 1 1/4"-11,5 | 59 | 50 | 1050516-20 |
| 400 | 1 1/2"-11,5 | 59 | 55 | 1050516-24 |
| 315 | 2"-11,5 | 59 | 70 | 1050516-32 |

VERSCHLUSSKAPPEN

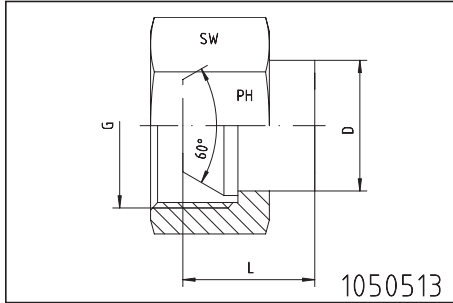


BSP-FEMALE-SWIVEL CAPS

für BSP-Gewinde
mit 60°-Innenkonus

for BSP-thread
with 60°-cone

Verschluss - DKR



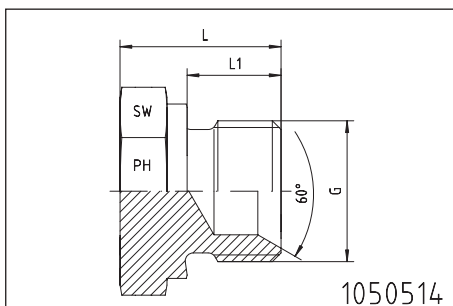
| Gewinde Thread G = BSP | ca. Maße approx. dimensions | | | Bestellzeichen Order-Code |
|------------------------------|--------------------------------|------|----|------------------------------|
| | L | D | SW | |
| 1/8"-28 | 11 | | 14 | 1050513-02 |
| 1/4"-19 | 15 | 9,0 | 17 | 1050513-04 |
| 3/8"-19 | 15 | 12,4 | 19 | 1050513-06 |
| 1/2"-14 | 17 | 16,4 | 27 | 1050513-08 |
| 5/8"-14 | | | | 1050513-10 |
| 3/4"-14 | 19 | 21,3 | 32 | 1050513-12 |
| 1"-11 | 20 | 27,8 | 41 | 1050513-16 |
| 1 1/4"-11 | 22 | 36,0 | 50 | 1050513-20 |
| 1 1/2"-11 | 25 | | 55 | 1050513-24 |
| 2"-11 | 31 | 54,5 | 70 | 1050513-32 |

VERSCHLUSS-STOPFEN - BSP

BSP-60°-CONED PLUG

mit Außen-Sechskant
und 60°-Innenkonus
und angedrehter Dichtkante Form B

with hexagon and 60°-cone
and sealing shoulder form B



| Gewinde Thread G = BSP | ca. Maße approx. dimensions | | | Bestellzeichen Order-Code |
|------------------------------|--------------------------------|----|----|------------------------------|
| | L | L1 | SW | |
| 1/8"-28 | 14,0 | 8 | 14 | 1050514-02 |
| 1/4"-19 | 17,0 | 10 | 19 | 1050514-04 |
| 3/8"-19 | 20,5 | 12 | 22 | 1050514-06 |
| 1/2"-14 | 24,0 | 14 | 27 | 1050514-08 |
| 5/8"-14 | | | | 1050514-10 |
| 3/4"-14 | 27,0 | 16 | 32 | 1050514-12 |
| 1"-11 | 31,0 | 18 | 41 | 1050514-16 |
| 1 1/4"-11 | 33,0 | 20 | 50 | 1050514-20 |
| 1 1/2"-11 | 36,0 | 22 | 55 | 1050514-24 |
| 2"-11 | 36,0 | 22 | 70 | 1050514-32 |

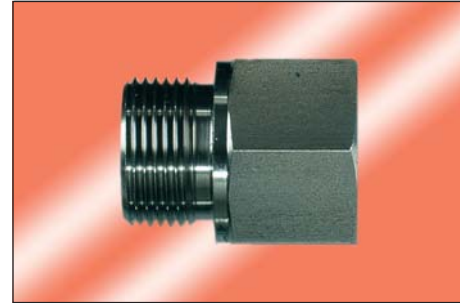
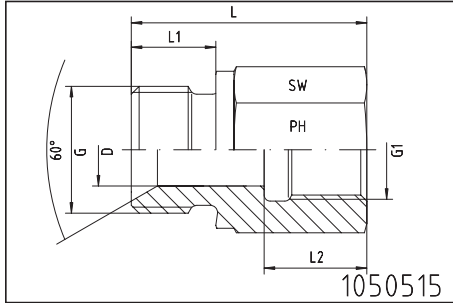
SECHSKANT-ADAPTER



HEXAGON-ADAPTORS

BSP-Außengewinde mit 60°-Konus
und Dichtkante Form B
BSP-Innengewinde

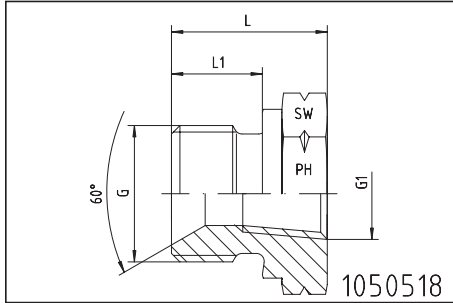
with 60°-cone
and sealing shoulder form B
BSP male - BSP female



| Gewinde Thread | | ca. Maße approx. dimensions | | | | | Bestellzeichen Order-Code |
|-------------------|-----------|--------------------------------|----|------|------|----|------------------------------|
| G = BSP | G1 = BSP | L | L1 | L2 | D | SW | |
| 1/8"-28 | 1/8"-28 | 23,5 | 8 | 11,0 | 4,5 | 17 | 1050515-02-02 |
| 1/4"-19 | 1/4"-19 | 32,0 | 10 | 17,0 | 6,0 | 19 | 1050515-04-04 |
| 3/8"-19 | 3/8"-19 | 36,0 | 12 | 17,0 | 9,0 | 24 | 1050515-06-06 |
| 1/2"-14 | 1/2"-14 | 39,0 | 14 | 20,0 | 12,0 | 27 | 1050515-08-08 |
| 3/4"-14 | 3/4"-14 | 45,0 | 16 | 22,5 | 18,0 | 32 | 1050515-12-12 |
| 1"-11 | 1"-11 | 49,5 | 18 | 24,5 | 22,0 | 41 | 1050515-16-16 |
| 1 1/4"-11 | 1 1/4"-11 | 58,0 | 20 | 27,0 | 25,0 | 50 | 1050515-20-20 |
| 1 1/2"-11 | 1 1/2"-11 | 58,0 | 22 | 27,5 | 37,0 | 55 | 1050515-24-24 |
| 2"-11 | 2"-11 | 64,5 | 23 | 30,5 | 43,0 | 70 | 1050515-32-32 |

BSP-Außengewinde
mit 60°-Konus
NPT-Innengewinde

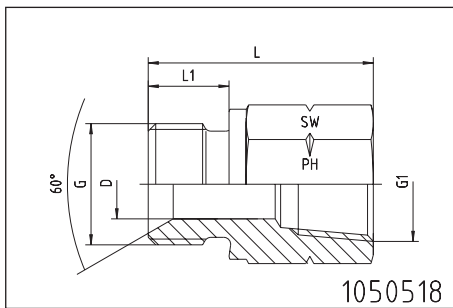
BSP - male
with 60°-cone
NPT - female



Form: A



Form: A



Form: B

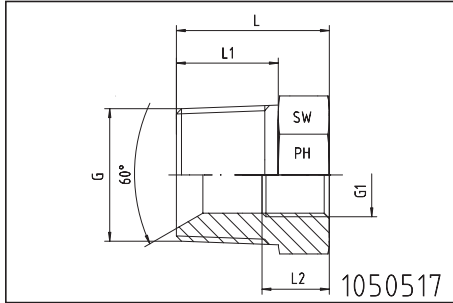


Form: B

| Gewinde Thread | | ca. Maße approx. dimensions | | | | Form Form | Bestellzeichen Order-Code |
|-------------------|-------------|--------------------------------|----|------|----|--------------|------------------------------|
| G = BSP | G1 = NPT | L | L1 | D | SW | | |
| 1/8"-28 | 1/8"-27 | 25,0 | 8 | 4,0 | 14 | B | 1050518-02-02 |
| 1/8"-28 | 1/4"-18 | 31,0 | 8 | 4,0 | 19 | B | 1050518-02-04 |
| 1/4"-19 | 1/8"-27 | | | | | B | 1050518-04-02 |
| 1/4"-19 | 1/4"-18 | 32,0 | 12 | 6,0 | 19 | B | 1050518-04-04 |
| 1/4"-19 | 3/8"-18 | 31,0 | 10 | 7,0 | 24 | B | 1050518-04-06 |
| 1/4"-19 | 1/2"-14 | 38,0 | 10 | 7,0 | 27 | B | 1050518-04-08 |
| 3/8"-19 | 1/4"-18 | 36,0 | 12 | 9,0 | 22 | B | 1050518-06-04 |
| 3/8"-19 | 3/8"-18 | 36,0 | 12 | 9,0 | 24 | B | 1050518-06-06 |
| 3/8"-19 | 1/2"-14 | 37,0 | 12 | 9,0 | 27 | B | 1050518-06-08 |
| 1/2"-14 | 1/4"-18 | 24,0 | 14 | 11,5 | 27 | A | 1050518-08-04 |
| 1/2"-14 | 3/8"-18 | 32,5 | 14 | 12,0 | 27 | A | 1050518-08-06 |
| 1/2"-14 | 1/2"-14 | 39,0 | 14 | 12,0 | 27 | B | 1050518-08-08 |
| 1/2"-14 | 3/4"-14 | 46,0 | 14 | 13,0 | 36 | B | 1050518-08-12 |
| 3/4"-14 | 3/8"-18 | 30,0 | 16 | 14,5 | 32 | A | 1050518-12-06 |
| 3/4"-14 | 1/2"-14 | 44,0 | 16 | 18,0 | 32 | A | 1050518-12-08 |
| 3/4"-14 | 3/4"-14 | 48,0 | 16 | 18,0 | 36 | B | 1050518-12-12 |
| 3/4"-14 | 1"-11,5 | | | | | B | 1050518-12-16 |
| 1"-11 | 1/2"-14 | 31,0 | 18 | 18,0 | 41 | A | 1050518-16-08 |
| 1"-11 | 3/4"-14 | 32,0 | 18 | 23,0 | 41 | A | 1050518-16-12 |
| 1"-11 | 1"-11,5 | 49,5 | 18 | 22,0 | 41 | B | 1050518-16-16 |
| 1 1/4"-11 | 3/4"-14 | 37,0 | 20 | 22,5 | 50 | A | 1050518-20-12 |
| 1 1/4"-11 | 1"-11,5 | 37,0 | 20 | 33,0 | 50 | A | 1050518-20-16 |
| 1 1/4"-11 | 1 1/4"-11,5 | 58,0 | 20 | 25,0 | 50 | B | 1050518-20-20 |
| 1 1/2"-11 | 1"-11,5 | 39,0 | 22 | 28,5 | 55 | A | 1050518-24-16 |
| 1 1/2"-11 | 1 1/4"-11,5 | | | | | A | 1050518-24-20 |
| 1 1/2"-11 | 1 1/2"-11,5 | 62,0 | 22 | 37,0 | 55 | B | 1050518-24-24 |
| 2"-11 | 2"-11,5 | | | | | B | 1050518-32-32 |

NPT-Außengewinde
mit 60°-Konus
BSP-Innengewinde

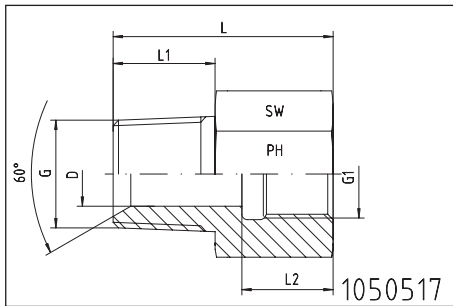
NPT - male
with 60°-cone
BSP - female



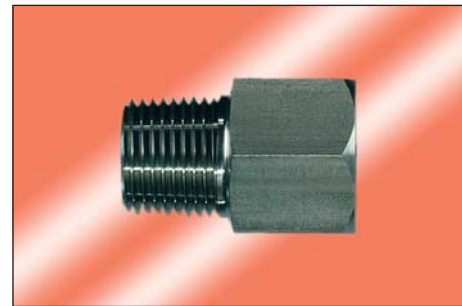
Form: A



Form: A



Form: B

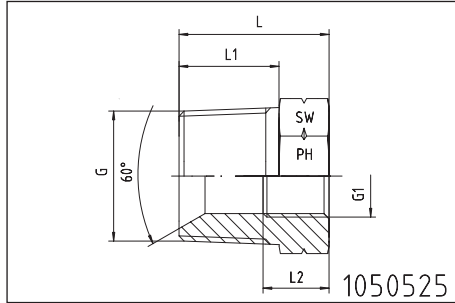


Form: B

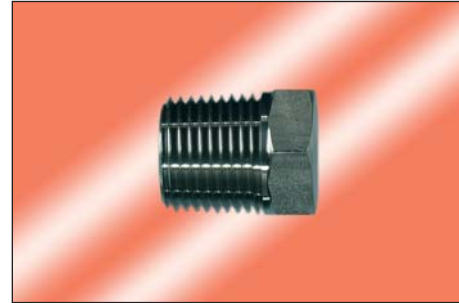
| Gewinde Thread | | ca. Maße approx. dimensions | | | | | | Form Form | Bestellzeichen Order-Code |
|-------------------|-----------|--------------------------------|------|------|----|----|---|---------------|------------------------------|
| G = NPT | G1 = BSP | L | L1 | L2 | D | SW | | | |
| 1/8"-27 | 1/8"-28 | 25,0 | 10,0 | 12,0 | 4 | 14 | B | 1050517-02-02 | |
| 1/8"-27 | 1/4"-19 | 30,0 | 10,0 | 17,0 | 4 | 19 | B | 1050517-02-04 | |
| 1/4"-18 | 1/8"-28 | 30,0 | 15,0 | 12,0 | 6 | 14 | B | 1050517-04-02 | |
| 1/4"-18 | 1/4"-19 | 34,0 | 15,0 | 17,0 | 6 | 19 | B | 1050517-04-04 | |
| 1/4"-18 | 3/8"-19 | 35,0 | 15,0 | 17,0 | 6 | 24 | B | 1050517-04-06 | |
| 1/4"-18 | 1/2"-14 | 36,5 | 15,0 | 20,0 | 5 | 27 | B | 1050517-04-08 | |
| 3/8"-18 | 1/4"-19 | 35,0 | 15,0 | 17,0 | 9 | 19 | B | 1050517-06-04 | |
| 3/8"-18 | 3/8"-19 | 35,0 | 15,0 | 17,0 | 9 | 24 | B | 1050517-06-06 | |
| 3/8"-18 | 1/2"-14 | 37,0 | 15,0 | 20,0 | 9 | 27 | B | 1050517-06-08 | |
| 1/2"-14 | 1/4"-19 | 27,0 | 20,0 | 17,0 | 13 | 24 | A | 1050517-08-04 | |
| 1/2"-14 | 3/8"-19 | 38,0 | 20,0 | 17,0 | 12 | 24 | B | 1050517-08-06 | |
| 1/2"-14 | 1/2"-14 | 41,0 | 20,0 | 20,0 | 12 | 27 | B | 1050517-08-08 | |
| 1/2"-14 | 3/4"-14 | 48,0 | 20,0 | 22,5 | 12 | 32 | B | 1050517-08-12 | |
| 3/4"-14 | 3/8"-19 | 28,0 | 20,0 | 17,0 | 15 | 27 | A | 1050517-12-06 | |
| 3/4"-14 | 1/2"-14 | 42,0 | 20,0 | 20,0 | 15 | 27 | B | 1050517-12-08 | |
| 3/4"-14 | 3/4"-14 | 48,0 | 20,0 | 22,5 | 18 | 32 | B | 1050517-12-12 | |
| 3/4"-14 | 1"-11 | | | | | | B | 1050517-12-16 | |
| 1"-11,5 | 1/2"-14 | 34,0 | 25,0 | 20,0 | 19 | 36 | A | 1050517-16-08 | |
| 1"-11,5 | 3/4"-14 | 54,0 | 25,0 | 22,5 | 21 | 36 | B | 1050517-16-12 | |
| 1"-11,5 | 1"-11 | 57,0 | 25,0 | 25,0 | 21 | 41 | B | 1050517-16-16 | |
| 1"-11,5 | 1 1/4"-11 | | | | | | B | 1050517-16-20 | |
| 1 1/4"-11,5 | 3/4"-14 | | | | | | A | 1050517-20-12 | |
| 1 1/4"-11,5 | 1"-11 | | | | | | B | 1050517-20-16 | |
| 1 1/4"-11,5 | 1 1/4"-11 | 55,0 | 25,5 | 27,0 | 30 | 55 | B | 1050517-20-20 | |
| 1 1/4"-11,5 | 1 1/2"-11 | | | | | | B | 1050517-20-24 | |
| 1 1/2"-11,5 | 1"-11 | | | | | | A | 1050517-24-16 | |
| 1 1/2"-11,5 | 1 1/4"-11 | | | | | | B | 1050517-24-20 | |
| 1 1/2"-11,5 | 1 1/2"-11 | 63,0 | 26,0 | 27,5 | 36 | 55 | B | 1050517-24-24 | |
| 1 1/2"-11,5 | 2"-11 | | | | | | B | 1050517-24-32 | |

NPT-Außengewinde
mit 60°-Konus
NPT-Innengewinde

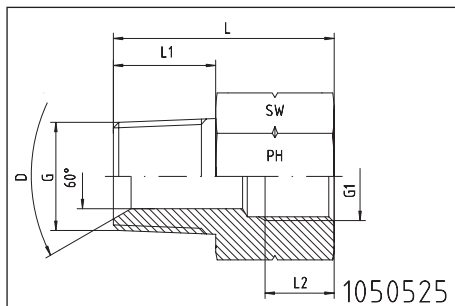
NPT - male
with 60°-cone
NPT - female



Form: A



Form: A



Form: B



Form: B

| Gewinde Thread | | ca. Maße approx. dimensions | | | | | Form Form | Bestellzeichen Order-Code |
|-------------------|-------------|--------------------------------|----|----|---|----|--------------|------------------------------|
| G = NPT | G1 = NPT | L | L1 | L2 | D | SW | | |
| 1/8"-27 | 1/8"-27 | | | | | | B | 1050525-02-02 |
| 1/8"-27 | 1/4"-18 | | | | | | B | 1050525-02-04 |
| 1/4"-18 | 1/8"-27 | | | | | | B | 1050525-04-02 |
| 1/4"-18 | 1/4"-18 | | | | | | B | 1050525-04-04 |
| 1/4"-18 | 3/8"-18 | | | | | | B | 1050525-04-06 |
| 1/4"-18 | 1/2"-14 | | | | | | B | 1050525-04-08 |
| 3/8"-18 | 1/4"-18 | | | | | | B | 1050525-06-04 |
| 3/8"-18 | 3/8"-18 | | | | | | B | 1050525-06-06 |
| 3/8"-18 | 1/2"-14 | | | | | | B | 1050525-06-08 |
| 1/2"-14 | 1/4"-18 | | | | | | A | 1050525-08-04 |
| 1/2"-14 | 3/8"-18 | | | | | | B | 1050525-08-06 |
| 1/2"-14 | 1/2"-14 | | | | | | B | 1050525-08-08 |
| 1/2"-14 | 3/4"-14 | | | | | | B | 1050525-08-12 |
| 3/4"-14 | 3/8"-18 | | | | | | A | 1050525-12-06 |
| 3/4"-14 | 1/2"-14 | | | | | | B | 1050525-12-08 |
| 3/4"-14 | 3/4"-14 | | | | | | B | 1050525-12-12 |
| 3/4"-14 | 1"-11,5 | | | | | | B | 1050525-12-16 |
| 1"-11,5 | 1/2"-14 | | | | | | A | 1050525-16-08 |
| 1"-11,5 | 3/4"-14 | | | | | | B | 1050525-16-12 |
| 1"-11,5 | 1"-11,5 | | | | | | B | 1050525-16-16 |
| 1"-11,5 | 1 1/4"-11,5 | | | | | | B | 1050525-16-20 |
| 1 1/4"-11,5 | 3/4"-14 | | | | | | A | 1050525-20-12 |
| 1 1/4"-11,5 | 1"-11,5 | | | | | | B | 1050525-20-16 |
| 1 1/4"-11,5 | 1 1/4"-11,5 | | | | | | B | 1050525-20-20 |
| 1 1/4"-11,5 | 1 1/2"-11,5 | | | | | | B | 1050525-20-24 |
| 1 1/2"-11,5 | 1"-11,5 | | | | | | A | 1050525-24-16 |
| 1 1/2"-11,5 | 1 1/4"-11,5 | | | | | | B | 1050525-24-20 |
| 1 1/2"-11,5 | 1 1/2"-11,5 | | | | | | B | 1050525-24-24 |
| 1 1/2"-11,5 | 2"-11,5 | | | | | | B | 1050525-24-32 |

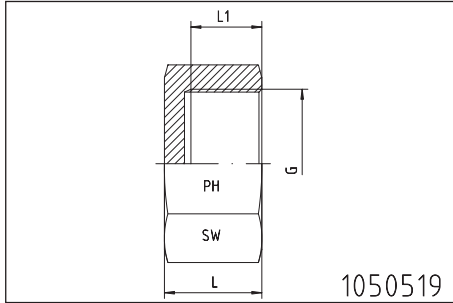
SECHSKANT-KAPPEN



HEXAGON CAPS

mit BSP-Innengewinde

with BSP-thread female



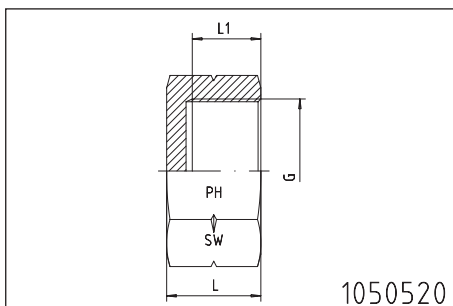
| Gewinde Thread G = BSP | ca. Maße approx. dimensions | | | Bestellzeichen Order-Code |
|------------------------------|--------------------------------|------|----|------------------------------|
| | L | L1 | SW | |
| 1/8"-28 | 15,0 | 10,0 | 14 | 1050519-02 |
| 1/4"-19 | 18,0 | 12,5 | 17 | 1050519-04 |
| 3/8"-19 | 19,0 | 13,0 | 22 | 1050519-06 |
| 1/2"-14 | 21,0 | 14,5 | 27 | 1050519-08 |
| 5/8"-14 | | | | 1050519-10 |
| 3/4"-14 | 24,5 | 18,5 | 32 | 1050519-12 |
| 1"-11 | 25,0 | 19,0 | 41 | 1050519-16 |
| 1 1/4"-11 | 29,0 | 22,0 | 50 | 1050519-20 |
| 1 1/2"-11 | 31,0 | 23,5 | 55 | 1050519-24 |
| 2"-11 | 32,0 | 24,5 | 70 | 1050519-32 |

SECHSKANT-KAPPEN

HEXAGON CAPS

mit NPT-Innengewinde

with NPT-thread female



| Gewinde Thread G = NPT | ca. Maße approx. dimensions | | | Bestellzeichen Order-Code |
|------------------------------|--------------------------------|----|----|------------------------------|
| | L | L1 | SW | |
| 1/8"-27 | | | 14 | 1050520-02 |
| 1/4"-18 | | | 17 | 1050520-04 |
| 3/8"-18 | | | 22 | 1050520-06 |
| 1/2"-14 | | | 27 | 1050520-08 |
| 3/4"-14 | | | 32 | 1050520-12 |
| 1"-11,5 | | | 41 | 1050520-16 |
| 1 1/4"-11,5 | | | 50 | 1050520-20 |
| 1 1/2"-11,5 | | | 55 | 1050520-24 |
| 2"-11,5 | | | 70 | 1050520-32 |